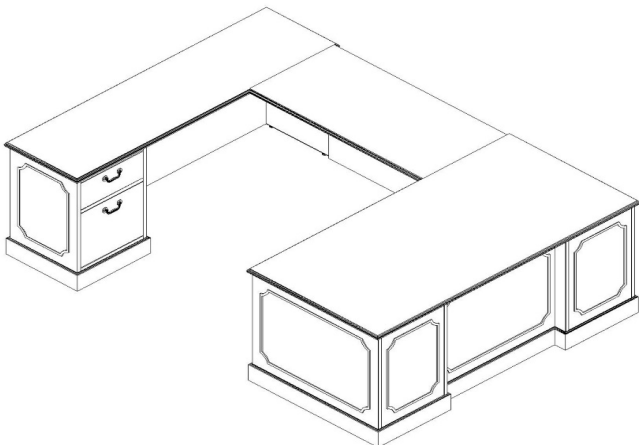


# Jefferson

## Typical 46-21



Model #	Qty	Description
---------	-----	-------------

46-3672RP	1	Single Ped Desk with Box/File, Right
46-2448UF	1	Bridge Unit with Full Modesty
46-2072LC	1	Credenza with Box/File, Left