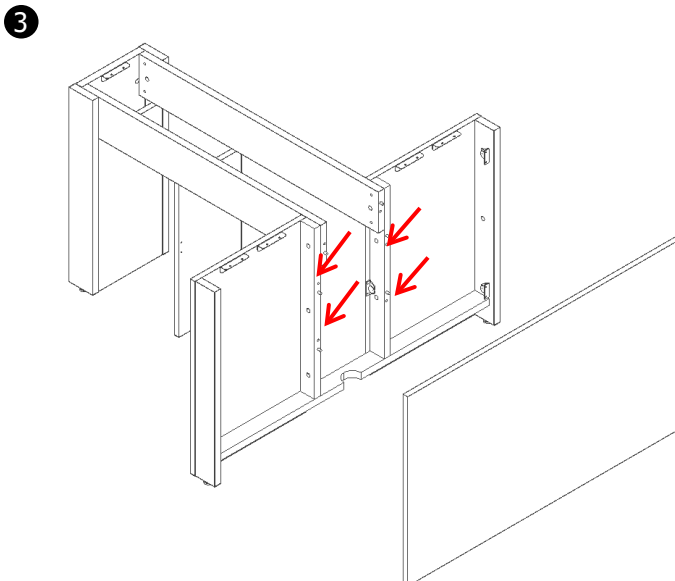
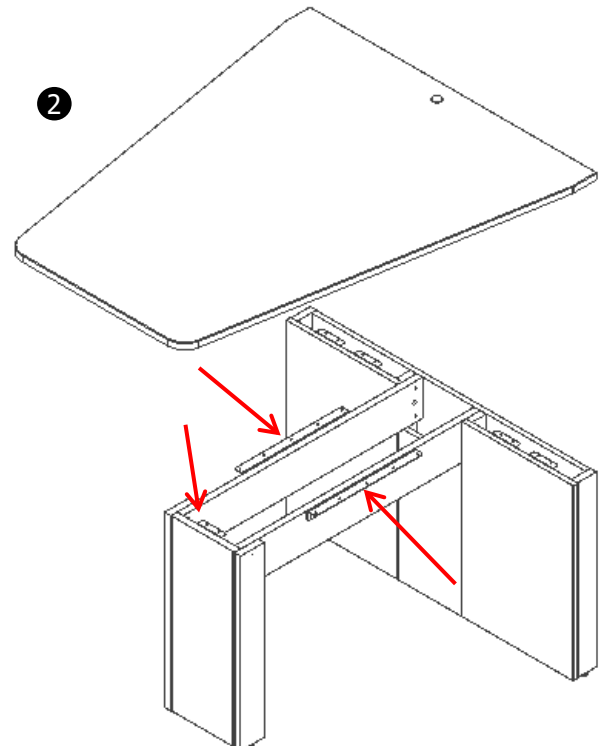
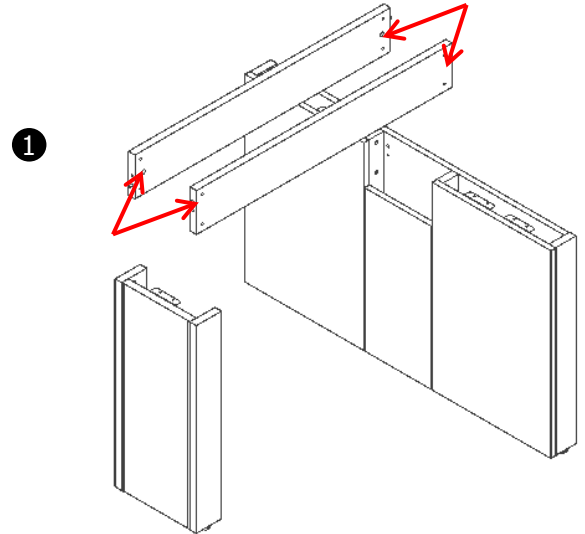


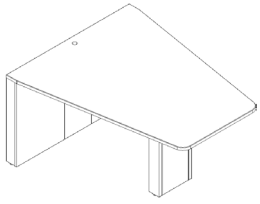
Huddle Table Assembly Instructions

Components:

- 7/8" PFH Screws
- 5/8" PPH Screws
- 1/2" PPH Screws
- 1/4"-20 x 1-3/4" Bolts
- 18" L Brackets
- Furniture Cam Connectors
- Dowels

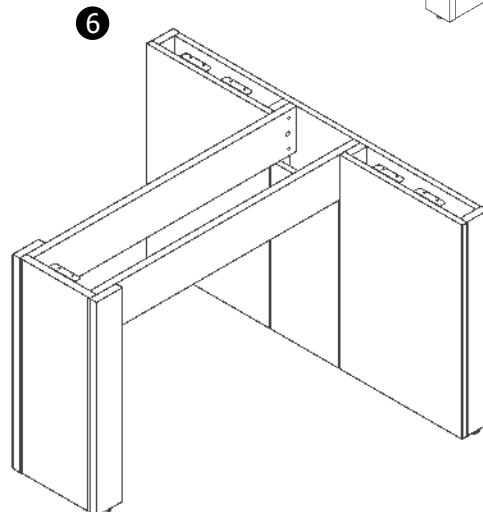
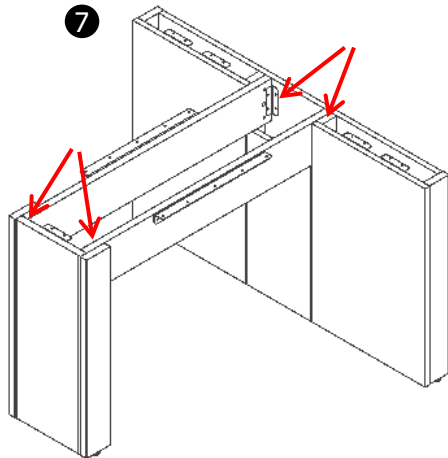
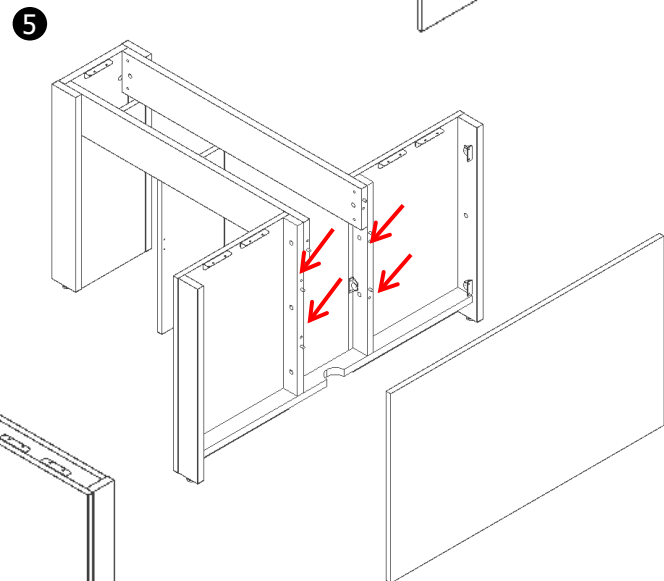
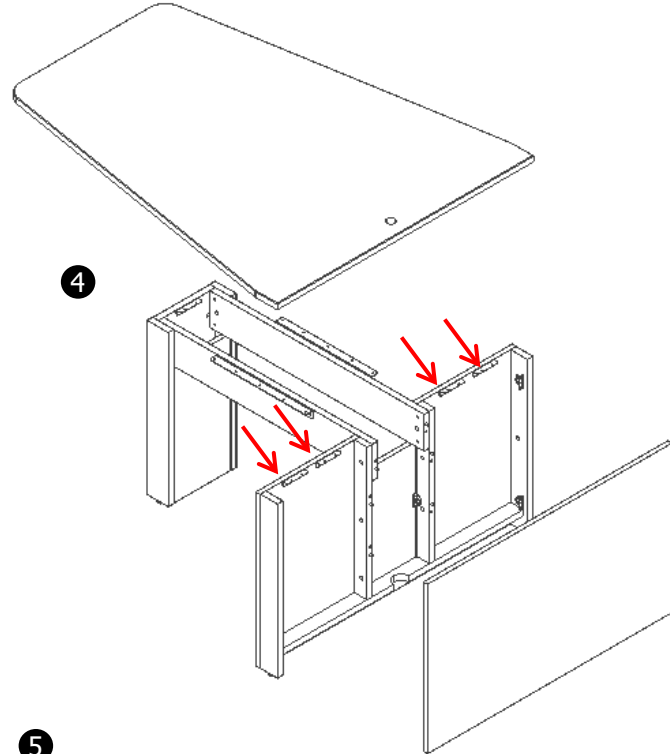
- 1** Secure stretcher rails to base ends using 1/4"-20 x 1-3/4" Bolts in pilot holes in stretcher rails in locations as shown into threaded inserts in base uprights. Ensure all top edges are flush and level the unit using the adjustable glides on bases.
- 2** Place top on top of chassis and align the back edge with the back of the base. Fasten top to chassis using 7/8" PFH screws using preinstalled brackets on LH (small) base only. Further secure top to chassis using 18" L Brackets on stretcher rails as shown. Use 1/2" PPH Screws to fasten brackets to stretcher rails and use 7/8" PFH screws to fasten brackets to top.
- 3** Remove RH base Wire Management door and loosen cams on uprights by turning counterclockwise. Remove back panel as shown.

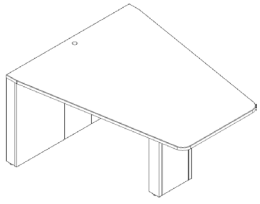




Huddle Table Assembly Instructions

- 4 Fasten top to RH (large) base using 7/8" PFH screws using preinstalled brackets on RH (large) base.
- 5 Reinstall RH (large) base back panel. Turn cams clockwise to tighten to posts. (top removed for clarity)
- 6 Secure stretcher rails to base ends using post/cam connections in locations shown. Insert Furniture Cam Connectors into holes in locations shown on inside of stretcher rails and dowels into appropriate holes on edge. Turn cam clockwise to tighten to post.
- 7 Further secure stretcher rails to base ends using 4" L Brackets and 5/8" PPH Screws in locations as shown. (top removed for clarity)





Huddle Table Assembly Instructions

8 To access wire management channels, remove doors on insides of each base as shown below. (top and stretcher rail removed for clarity)

9 To attach optional TV mount, follow instructions provided by manufacturer. Before fastening TV mount to top surface, pre-drill pilot holes in top surface aligned with grommet hole.

