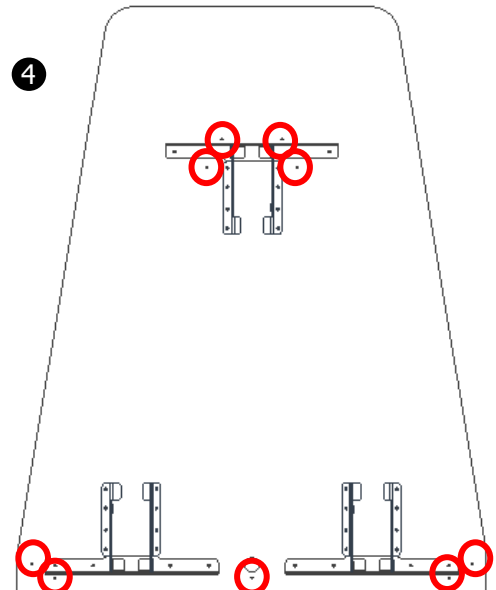
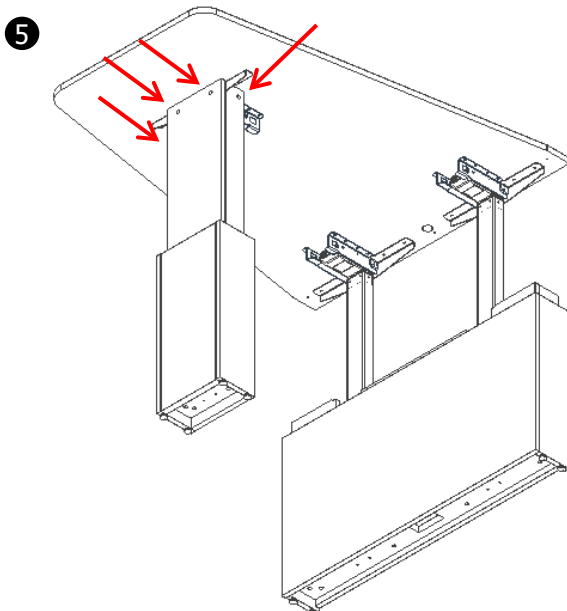
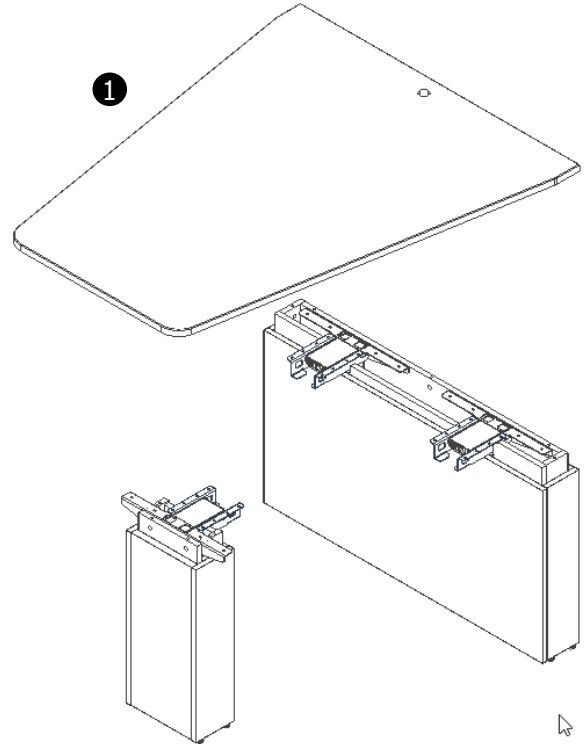


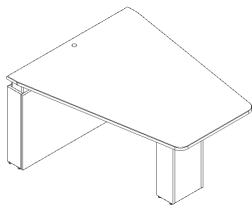
Height Adjustable Huddle Table Assembly Instructions

Components:

- #10 PPH Screws
- Motor Cables
- Power Cable
- Wire Management Clips

- 1 Position bases such that metal legs line up with peck holes on bottom face of top. Ensure bases are square, back edge of top is flush with RH (large) base, and top is level.
- 2 Secure top to metal legs using #10 PPH screws.
- 3 Connect legs and switch to control box using motor cables. Connect power cord to control box and route plug through sleeve to standard outlet. Use wire management clips as needed. Attach control box and switch using #10 PPH screws in location determined by customer. Plug in power cord and raise top to highest point.
- 4 Install posts into holes on bottom face of top.
- 5 Raise LH (small) base inner sleeve by hand and align cams with posts. Turn cams clockwise to tighten and secure inner sleeve to top. Cams are on the outside faces of the sleeve.





Height Adjustable Huddle Table Assembly Instructions

- 6 Raise RH (large) base inner sleeve and remove inside panel door as shown. (top removed for clarity)
- 7 Raise RH (large) base inner sleeve by hand and align cams with posts. Turn cams clockwise to tighten and secure inner sleeve to top. Cams are on the inside faces of the sleeve.
- 8 Reattach inside panel door and lower bases. Ensure top is level. Adjust levels as needed using the adjustable glides on bases.
- 9
- 10 To access wire management channels, remove inside panel door per Step 6.

To attach optional TV mount, follow instructions provided by manufacturer. Before fastening TV mount to top surface, pre-drill pilot holes in top surface aligned with grommet hole.

