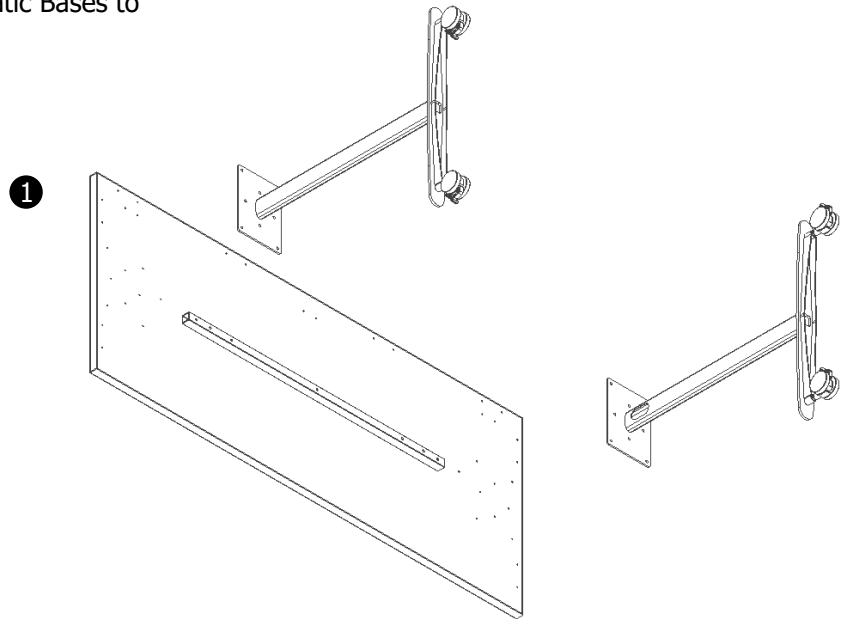


Static Leg Assembly Instructions

Components:

- Spark T-Leg Static Base Assembly Kit
- 1" PPH Screws

- 1 Place T-Leg Static Bases on bottom surface and align with peck holes. Ensure Wire Management cutouts on legs are pointed towards the middle of the table.
- 2 Use 1" PPH screws to secure T-Leg Static Bases to top in locations shown.



2

