



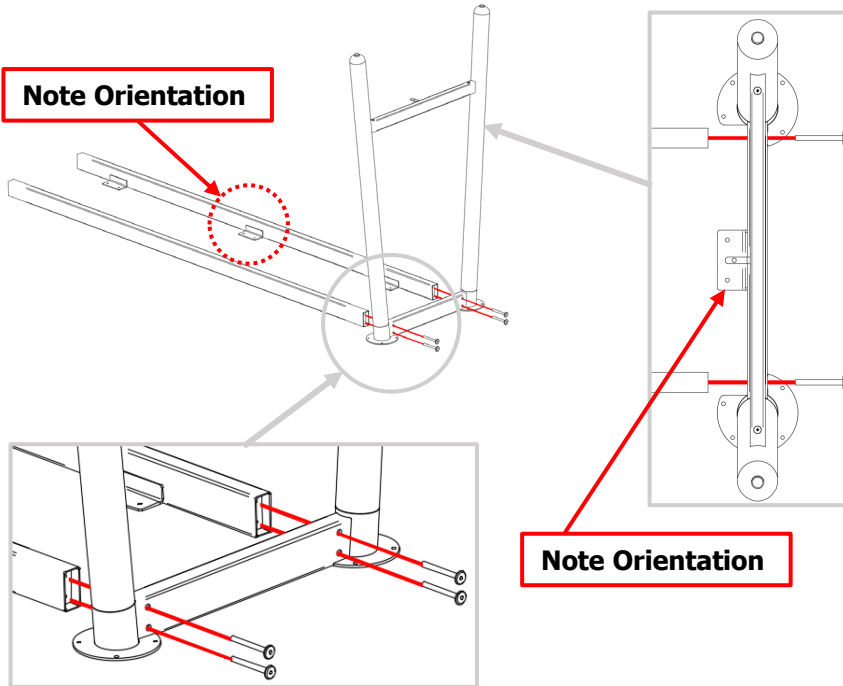
# Synergy | Indiana FURNITURE

## Table Assembly Instructions

*Note: For seated height tables skip to page 3.  
For wire management skip to page 5.*

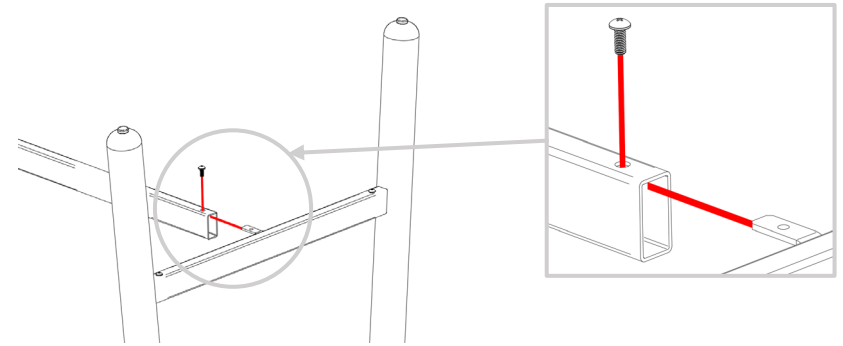
### Counter & Bar Height Tables

- 1 Start by laying the parts to the table on a soft surface for assembly.
- 2 Find 1 end frame assembly and the 2 upper cross rails. Attach using the 1/4-20 x 2-3/8" bolts.

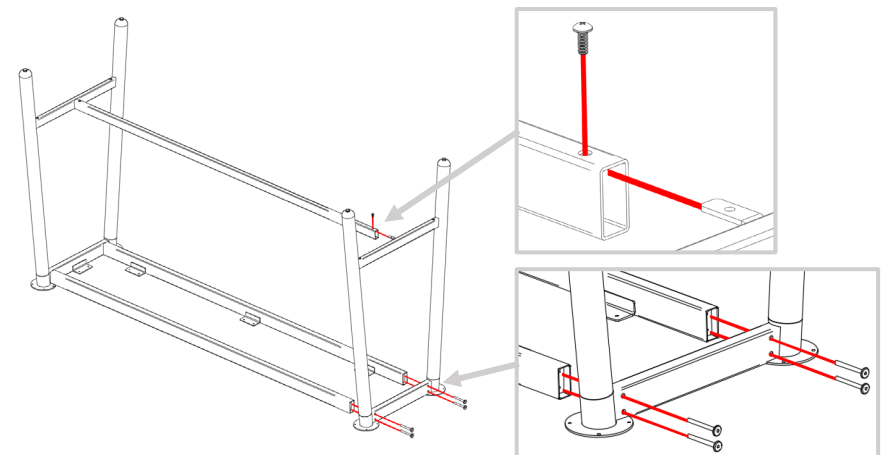


Note: Images shown are for clarity purposes only and may not match the unit that you are currently assembling.

- 3 Attach the lower stretcher rail to the end frame using the 1/4-20 x 1/2" bolt.



- 4 Attach the other end frame assembly using the 1/4-20 x 2-3/8" bolts and the 1/4-20 x 1/2" bolt. Similar to steps 2 & 3.

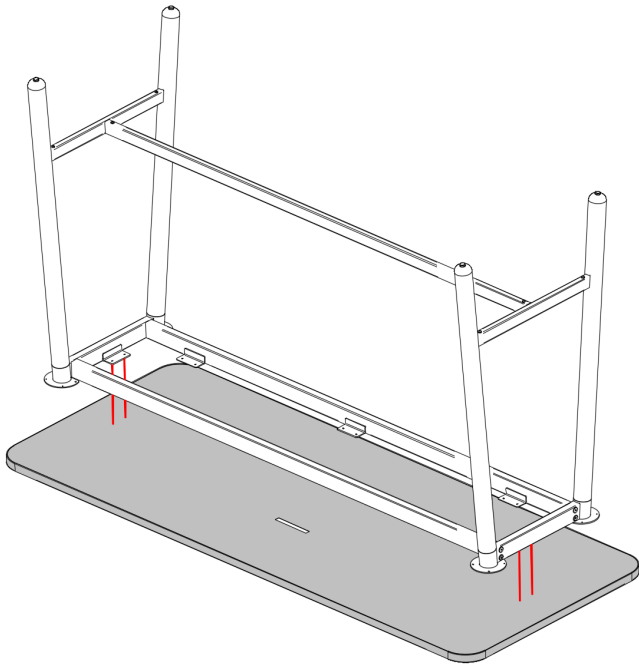




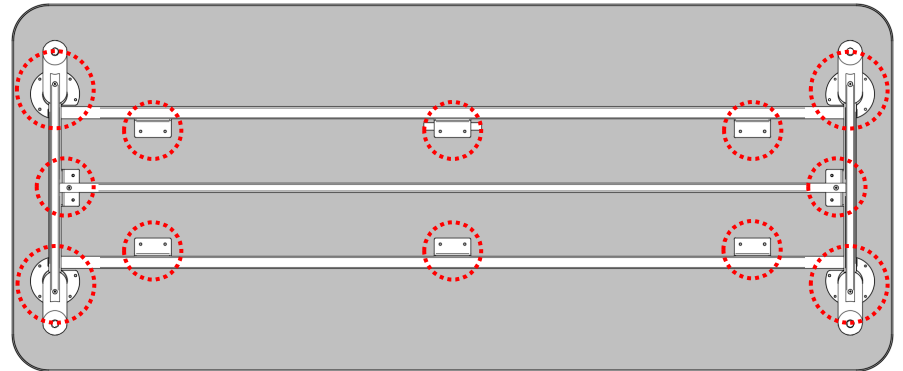
# Synergy | Indiana FURNITURE

## Table Assembly Instructions

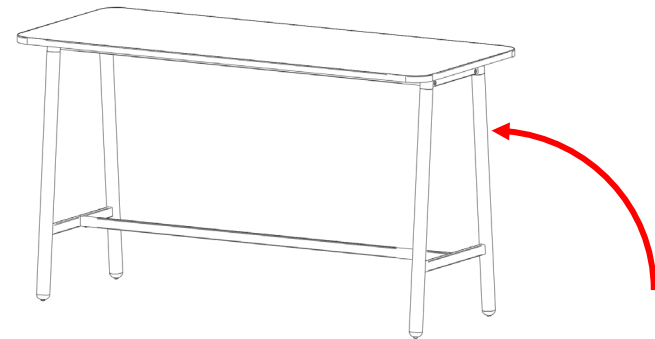
- 5 Double check to make sure all the bolts on the base assembly are tight.
- 6 Place the assembled base on to the top. Locate the pilot holes on the bottom side of the top and align them to the brackets on the end frame.



- 7 Install #10 x 7/8" screws into the 32 holes in the base assembly.



- 8 With some help rotate the table upright. Assembly is complete.



Note: Images shown are for clarity purposes only and may not match the unit that you are currently assembling.

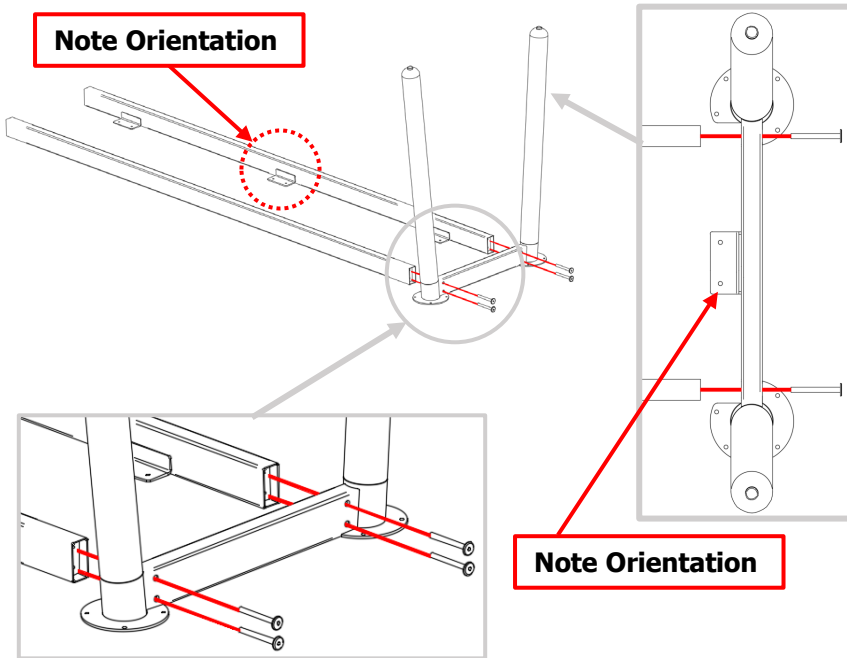


# Synergy | Indiana FURNITURE

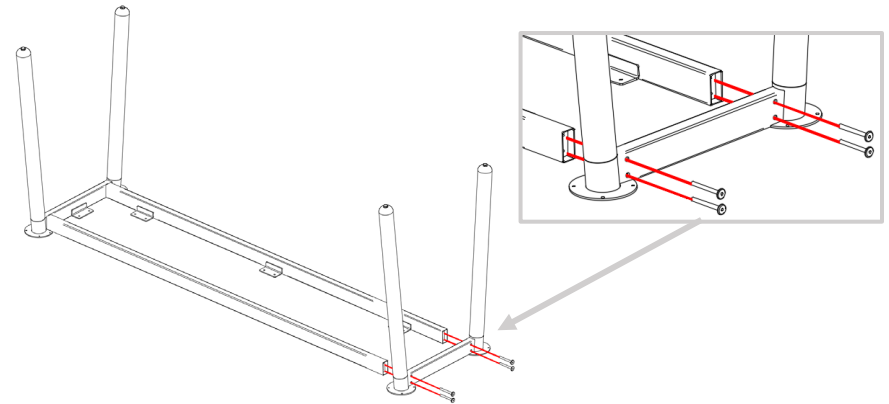
## Table Assembly Instructions

### Seated Height Tables

- 1 Double check all bolts are tight on the base assembly.
- 2 Find 1 end frame assembly and the 2 upper cross rails. Attach using the 1/4-20 x 2-3/8" bolts.



- 3 Attach the other end frame assembly using the 1/4-20 x 2-3/8" bolts. Similar to step 2.



- 4 Double check to make sure all the bolts on the base assembly are tight.

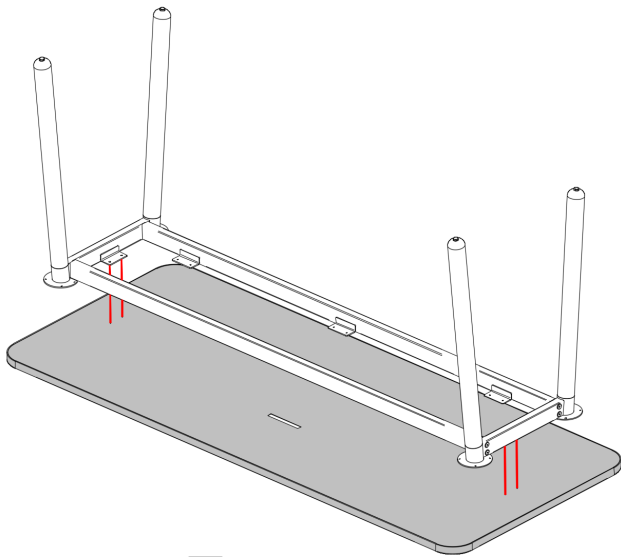
Note: Images shown are for clarity purposes only and may not match the unit that you are currently assembling.



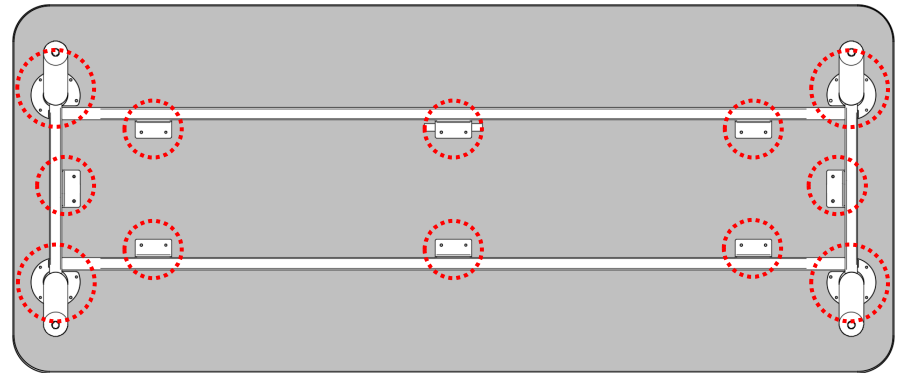
# Synergy | Indiana FURNITURE

## Table Assembly Instructions

- 5** Place the assembled base on to the top. Locate the pilot holes on the bottom side of the top and align them to the brackets on the end frame.



- 6** Install #10 x 7/8" screws into the 32 holes in the base assembly.



- 7** With some help rotate the table upright. Assembly is complete.



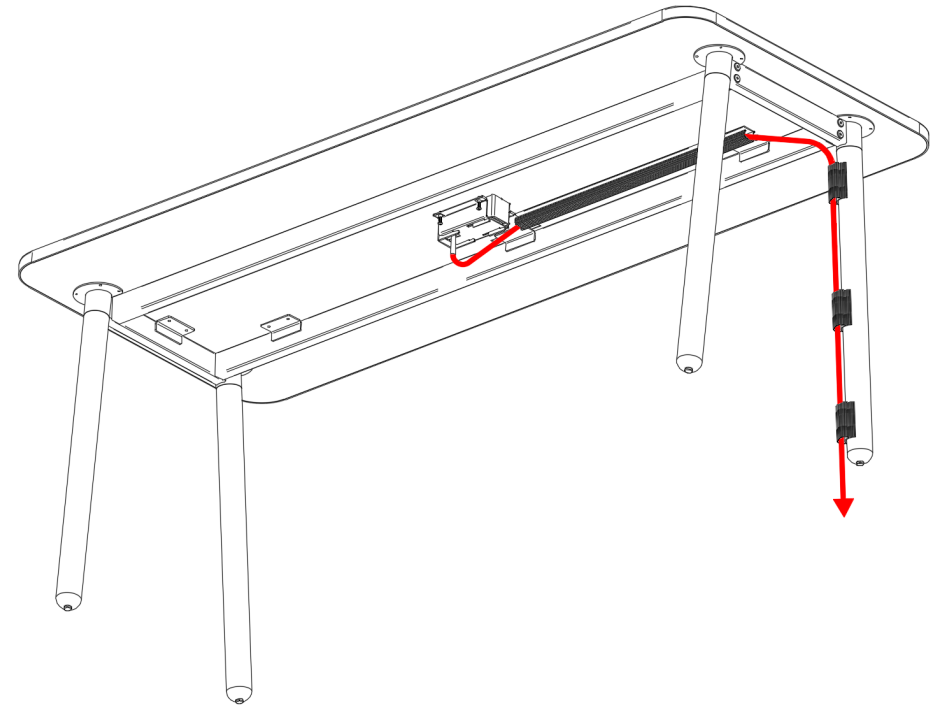
Note: Images shown are for clarity purposes only and may not match the unit that you are currently assembling.



# Table Wire Management Assembly Instructions

## Wire Management

- 1 Install Power / Data unit as per those instructions.
- 2 Required are: (purchased separately)  
01-0302WM - 3" wire manager for round legs (Qty 1)  
01-32126 - Wire Channel 24" (Qty 1)
- 3 Attach wire channels to the underside of the top & to the leg as desired.
- 4 Route any cords through the wire channels following the red path in the picture to the right.



Note: Images shown are for clarity purposes only and may not match the unit that you are currently assembling.