



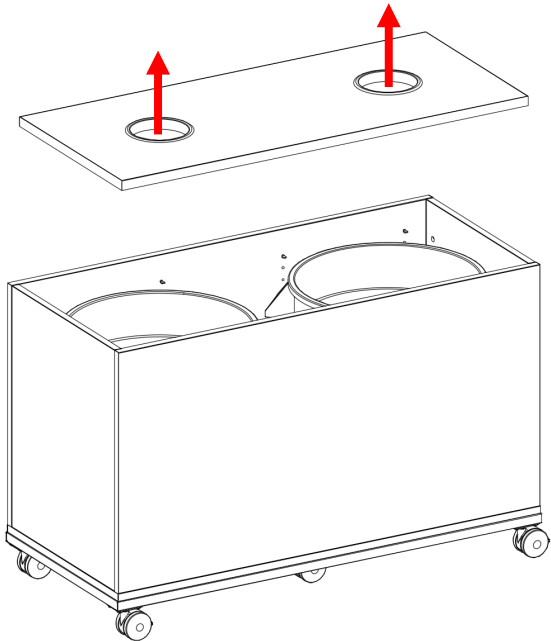
Synergy | Indiana FURNITURE

Recycle Bin Assembly Instructions

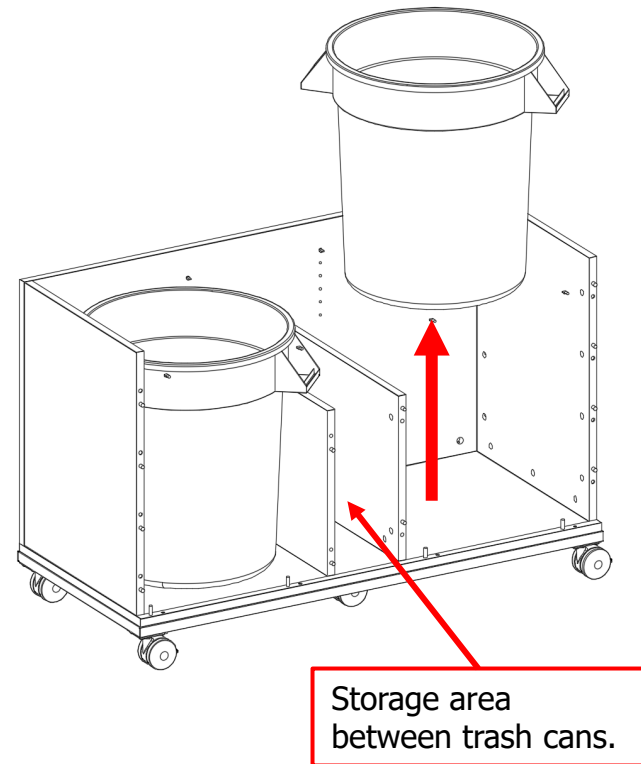
1 Start by installing the casters on the unit first.

2 To access recycle cans / storage area. Simply lift up on the top panel by reaching through the grommet ring holes.

Note: Do not lift by the rings themselves, grab the actual panel.



3 To remove the recycle cans, lift up on the can.



4 Reassembly is the reverse process.

Note: Images shown are for clarity purposes only and may not match the unit that you are currently assembling.