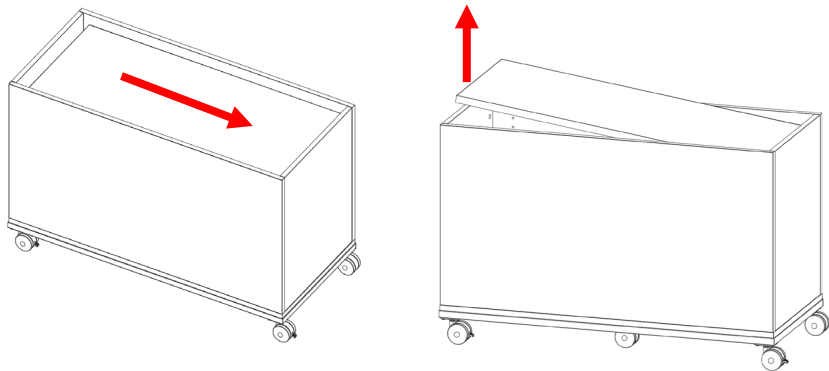


Synergy | Indiana FURNITURE

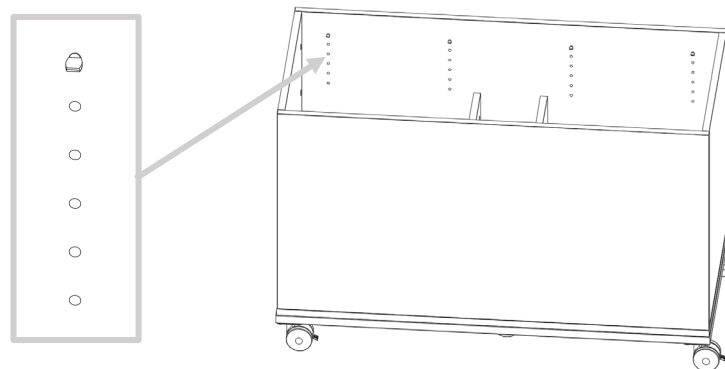
Planter Assembly Instructions

Note: When using live plants with this unit, a plastic liner / planter box must be used. This is to be sourced by the installer. This unit is not designed for moisture.

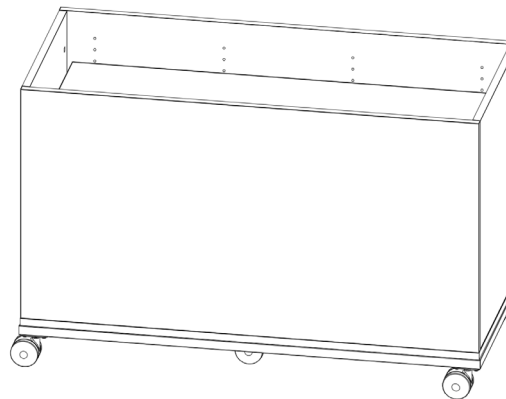
- 1 Start by installing the casters on the unit first.
- 2 To adjust the height on the shelf in the planter. Push the shelf to one side, then lift up on the shelf.



- 3 Adjust the self pins for the desired depth. Each pin hole is 1-1/4" from the previous hole.



- 4 Reinstall the shelf by lowering it into place and centering it in the unit.



Note: Images shown are for clarity purposes only and may not match the unit that you are currently assembling.