

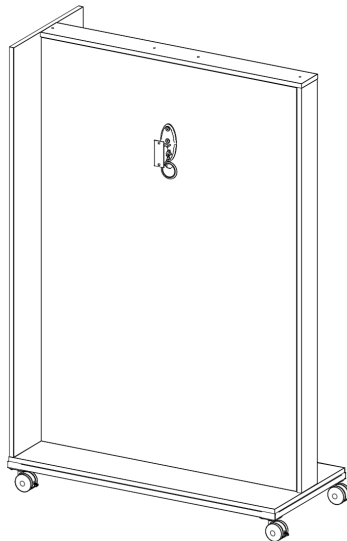
Partition TV Mounting Assembly Instructions

Note: These instructions only apply to the following partition units.

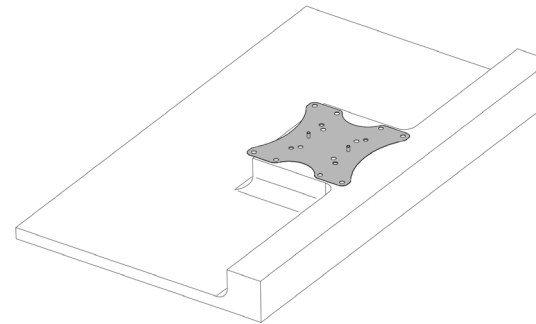
82-4872PT, 82-4872CPT, 82-4872PMLS, 82-4872PMLOS

TV Size limit: 42" screen size maximum and 50lbs maximum

- 1 Start by installing the casters on the unit first.
- 2 Remove the TV VESA mounting plate from the rest of the TV mount. Unscrew the bottom thumb nut and loosen the top thumb nut.



- 3 Attach the VESA mounting plate to the TV. Some hardware is provided, but it is up to the installer to source the best hardware to attach the TV.

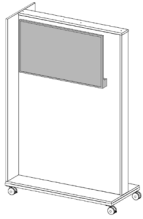


*VESA Mounting Plate
hole patterns
75mm x 75mm
100mm x 100mm
100mm x 200mm
200mm x 200mm*

- 4 Hang the TV with the now attached mounting plate back on the TV mount. This process is opposite of step #2. Adjust the TV and snug up any nuts or bolts on the mount as desired.

The following page is for wire management. If that is not desired, then assembly is complete.

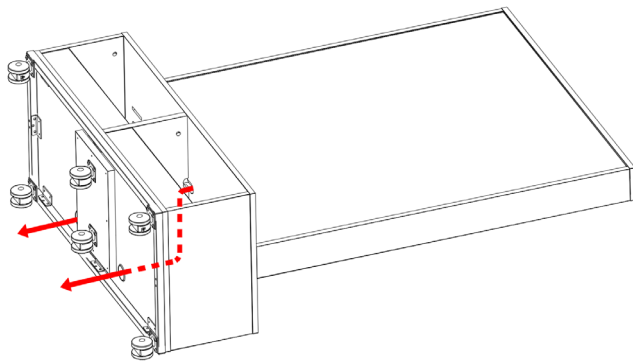
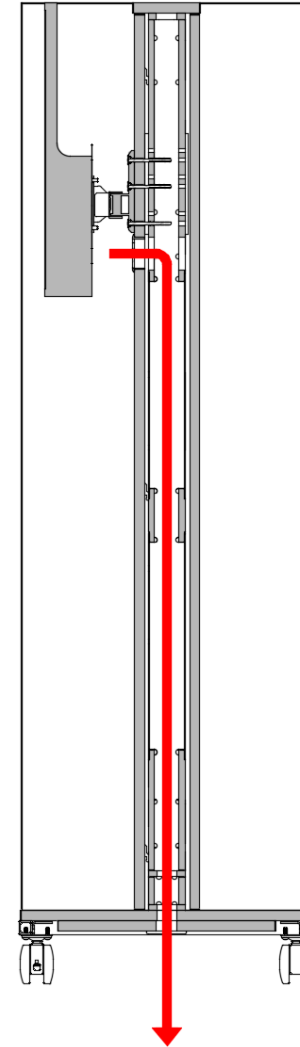
Note: Images shown are for clarity purposes only and may not match the unit that you are currently assembling.



Partition TV Mounting Assembly Instructions

Note: The smallest size opening in the frame for wire management is 1-½" x 2". Any plugs larger than that will not fit through the frame.

- 5 Remove the plate from the grommet under the TV and pass cords through and down the center channel of the frame. The cord will be able to drop through the bottom of the unit. The diagram to the right shows the path the cord will take.



For 82-4872PMLS & 82-4872PMLOS units, wires can be run on either side of the center divider.

- 6 Reinstall the grommet plate. Assembly is now complete

Note: Images shown are for clarity purposes only and may not match the unit that you are currently assembling.