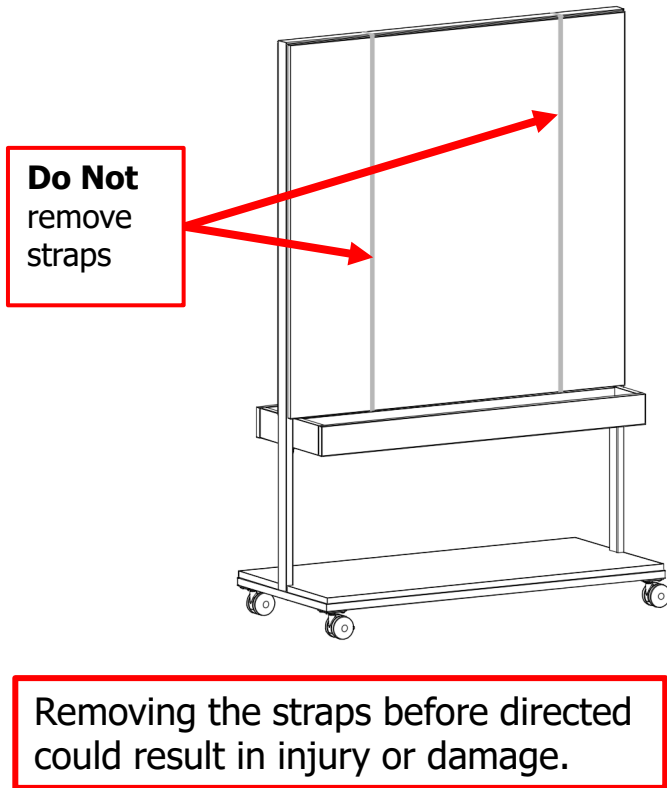


Dry Erase Board Assembly Instructions

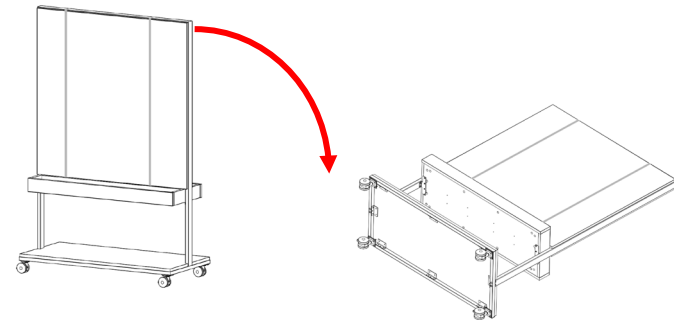
Note: These instructions only apply to 82-4872PDE.

- 1** **Do Not** remove the straps around the panels during unpacking. These instructions will say when they can be removed.



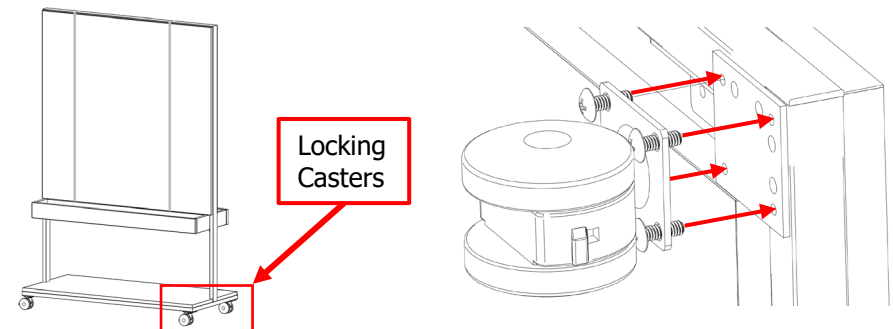
- 2** Lay the unit onto its back on a soft surface.

Have 2-3 people help gently rotate the unit down.

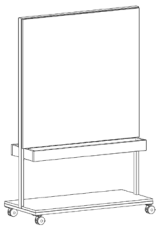


- 3** Attach the 4 casters to the bottom of the unit using the provided bolts.

Attach the 2 locking casters to the short side of the unit.



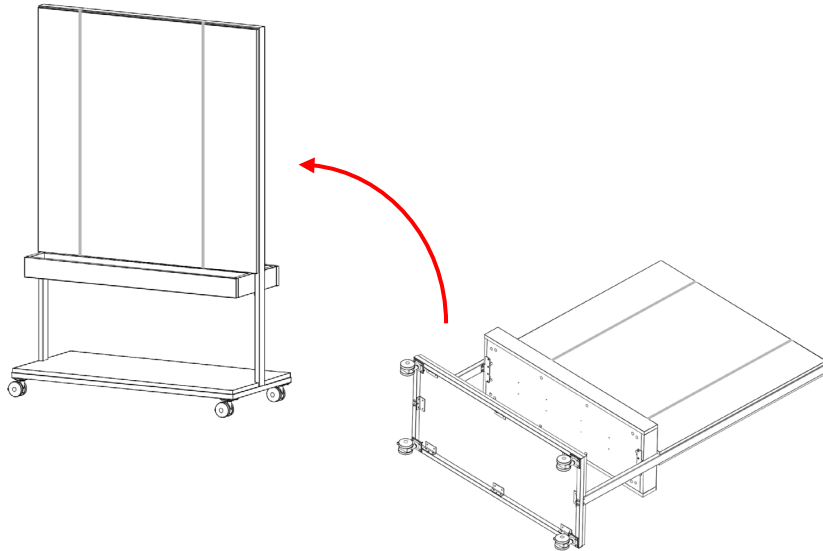
Note: Images shown are for clarity purposes only and may not match the unit that you are currently assembling.



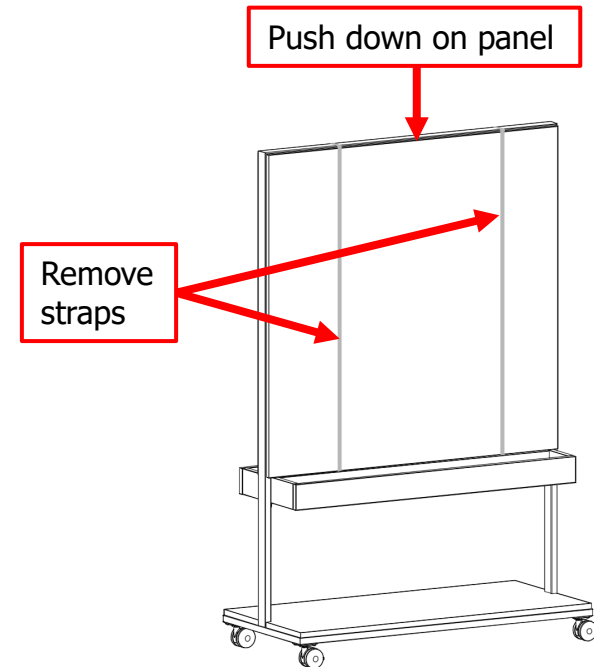
Dry Erase Board Assembly Instructions

- 4** Once all casters are installed and the bolts are tight, the unit can be stood upright.

Have 2-3 people help rotate the unit upright onto the wheels.



- 5** Once the unit is stood upright. The straps around the panels can be removed. Also be sure to firmly push down on both panels to make sure they are fully seated.



- 6** Assembly is complete

Note: Images shown are for clarity purposes only and may not match the unit that you are currently assembling.