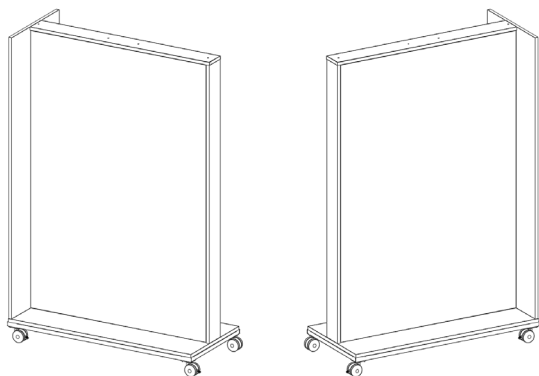


Partition Caster Assembly Instructions

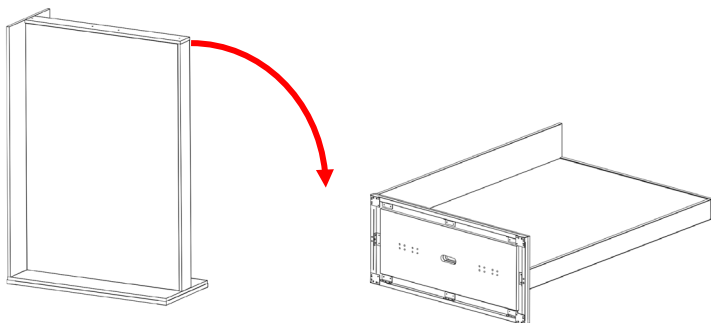
Note: These instructions only apply to partition units in this series. Tables & Stools / Benches do not apply.

- 1 Start by determining which side of the unit will be the front. The locking casters will be installed on either short side.



- 2 Start by laying the unit onto its back on a soft surface.

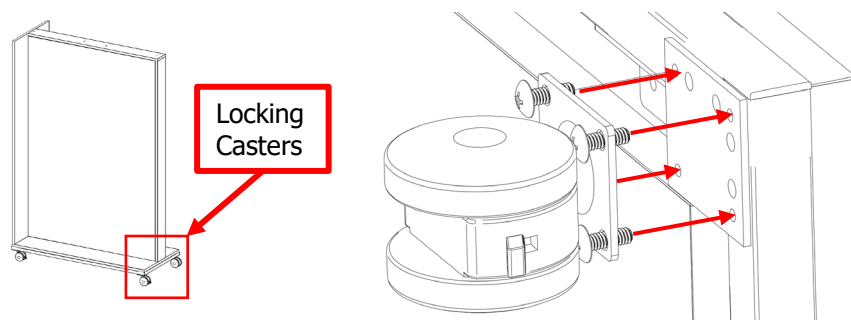
Have 2-3 people help gently rotate the unit down.



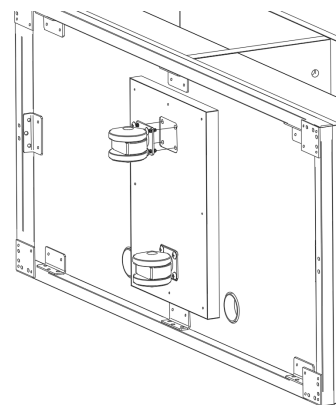
Note: Images shown are for clarity purposes only and may not match the unit that you are currently assembling.

- 3 Attach the 4 casters to the bottom of the unit using the provided bolts.

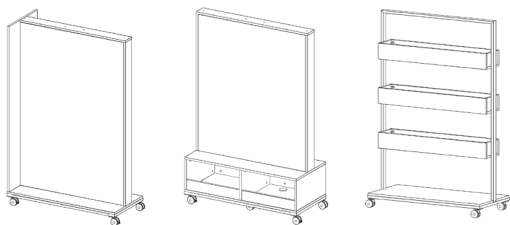
Attach the 2 locking casters to the short side of the unit.



- 4 For models requiring 6 casters. Attach the 2 center non-locking casters with the provided bolts.



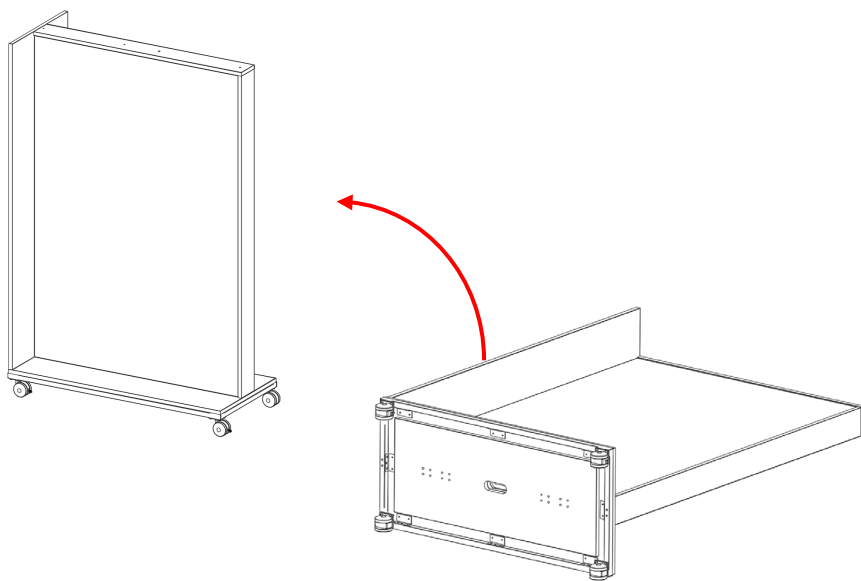
*Units with 6 casters:
82-4872PMLS
82-4872PMLOS
82-4830PL
82-4830RB*



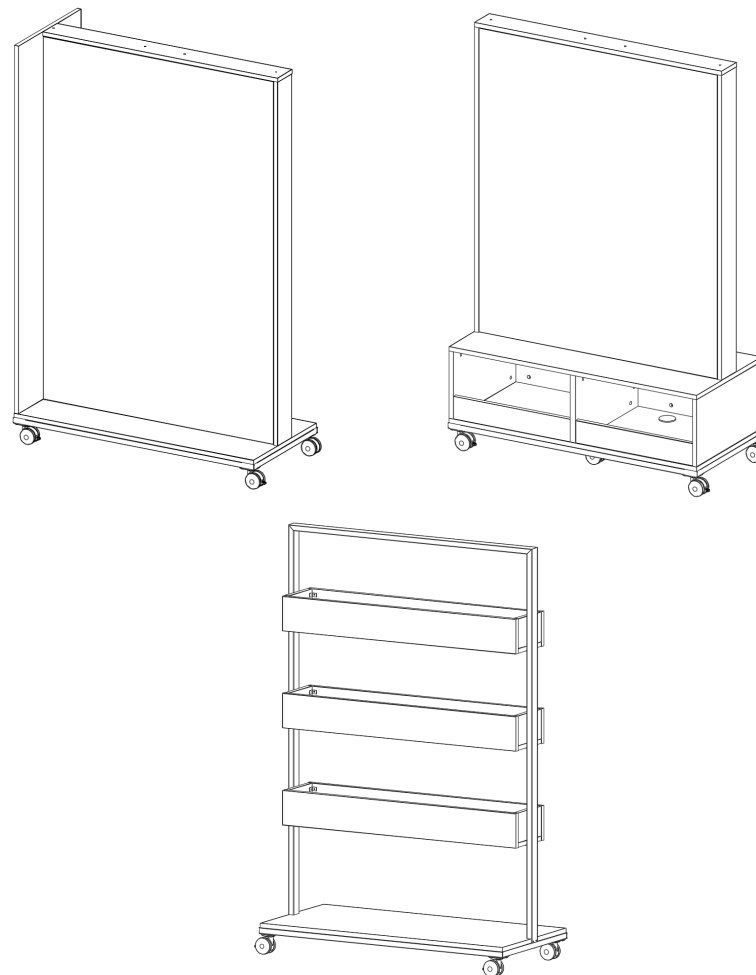
Partition Caster Assembly Instructions

- 5** Once all casters are installed and the bolts are tight, the unit can be stood upright.

Have 2-3 people help rotate the unit upright onto the wheels.



- 6** Assembly is now complete



Note: Images shown are for clarity purposes only and may not match the unit that you are currently assembling.