



Rockstar | Indiana FURNITURE

Assembly Instructions

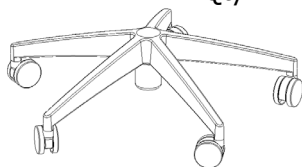
Components:



Chair
Qty 1

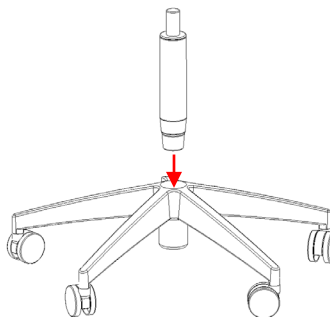


Gas Lift
Qty 1

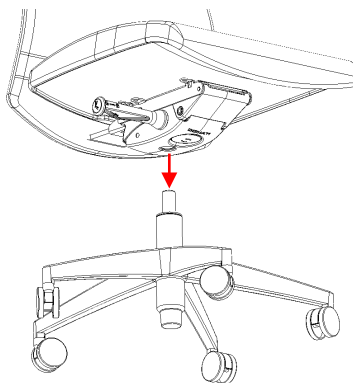


Base
Qty 1

- 1** Install large end of gas lift into base. Make sure the two parts do not easily separate.



- 2** Place chair onto small end of gas lift. Then sit in the chair to ensure a solid connection.



- 3** The chair is now assembled.

