

Attachment & Placement For Circular Tops Assembly Instructions

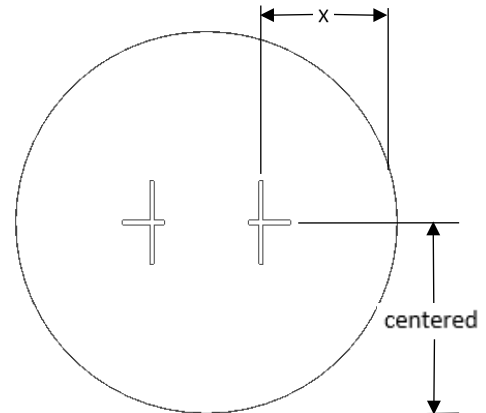
Components:

- Screws, 7/8" PPH – 12 Per X-Base
- Adjustable Glides – 4 Per X-Base

1 Insert adjustable glides into base bottom.

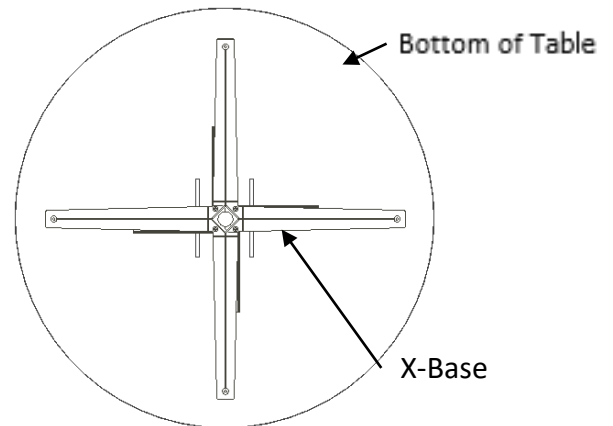
2 Follow chart for inset dimensions.

Top size	Inset dimension	X-base
30"	$x = 13\text{-}3/4"$	20"
36"	$x = 16\text{-}3/4"$	20"
42"	$x = 19\text{-}3/4"$	26"
48"	$x = 22\text{-}3/4"$	26"



2

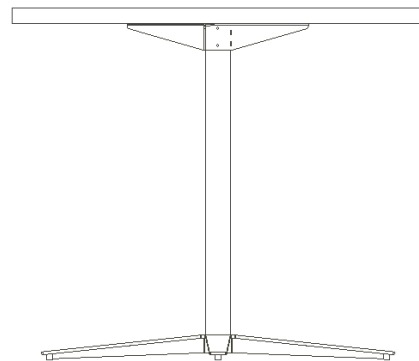
3



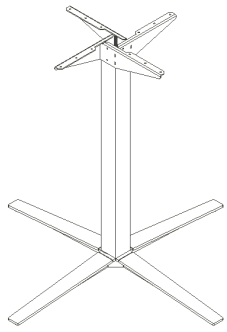
3 Measure and mark inset location on bottom of table.

4 Place X-base in location. Attach base to bottom of table with 7/8" screws.

4



Side view of Table after Attachment



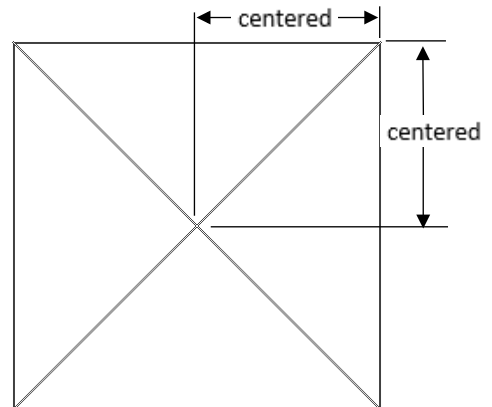
Attachment & Placement For Square Tops Assembly Instructions

Components:

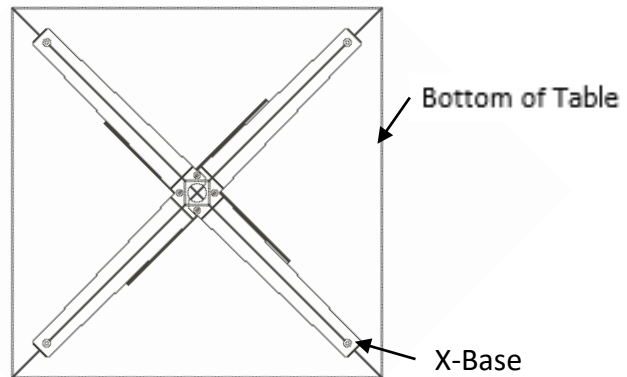
- Screws, 7/8" PPH – 12 Per X-Base
- Adjustable Glides – 4 Per X-Base

- 1 Insert adjustable glides into base bottom.
- 2 Measure and mark center location on bottom of table.
- 3 Place X-base in location centered on bottom of table. Ensure legs are pointed towards table corners as shown.
- 4 Attach base to bottom of table with 7/8" screws.

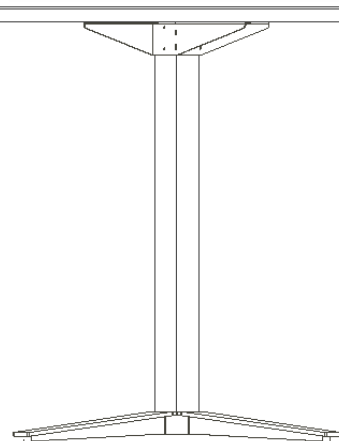
2



3



4



Side view of Table after Attachment