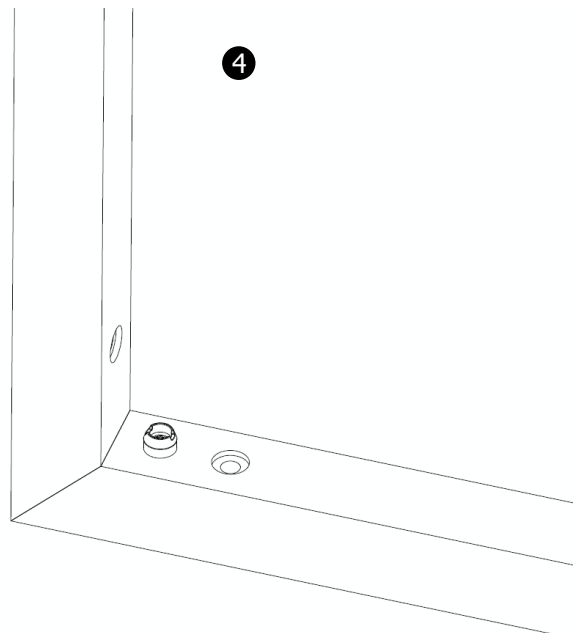
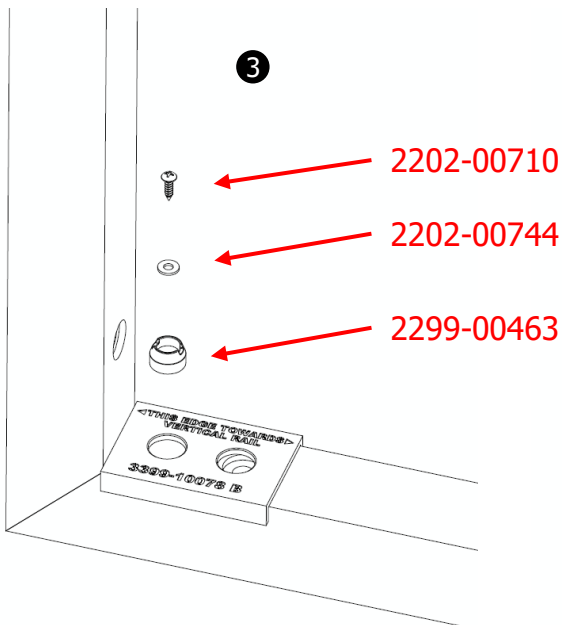
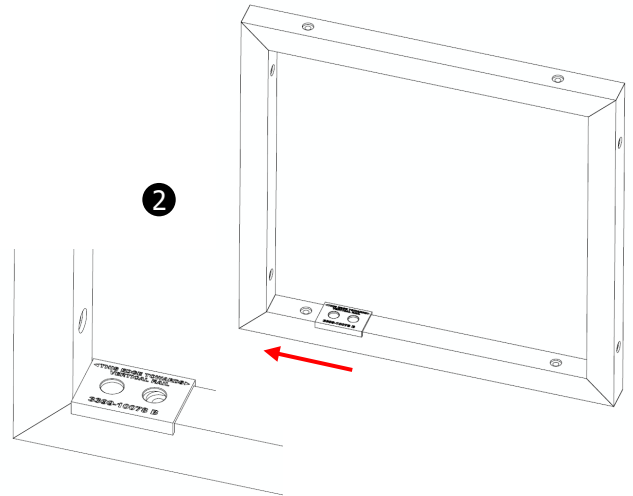
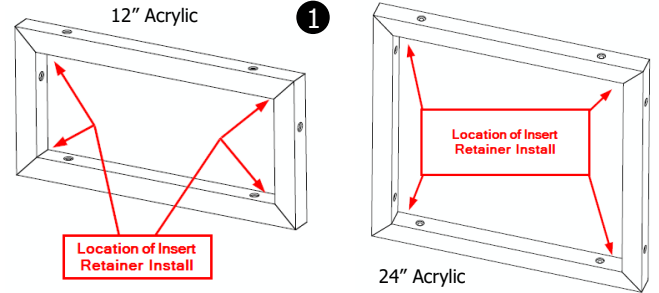


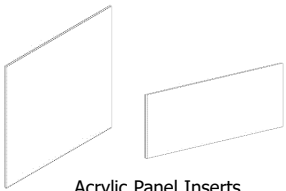
Acrylic Panel Inserts
(AI-2020AC and AI-0820AC)

Square One | Indiana FURNITURE

Assembly Instructions ACRYLIC INSERT RETAINERS

- 1 Locate the 4 corners to install the 2299-00463 – Insert Retainer
- 2 Using the 3399-10078 – Gauge, Insert Retainer, slide the gauge into the corner as shown
- 3 Install 2202-00744 – Flat Washer into 2299-00463 – Insert Retainer and secure by using 2202-00710 - #6 x 1/2" Pan Head Screw
- 4 Remove 3399-10078 – Gauge, Insert Retainer and start in the next corner
- 5 Repeat steps 1 – 4 until all 4 inserts have been installed.
- 6 Repeat steps 1 – 5 for each square as necessary.





Acrylic Panel Inserts
(AI-2020AC and AI-0820AC)

Assembly Instructions 12" & 24" ACRYLIC PANEL INSERTS

1 Locate the 2 retainers as shown.

2 For 24" Inserts, orient the Acrylic Panel Insert in the desired orientation.

Note: The 24" Acrylic Panels can be installed in either the vertical or horizontal orientation.

3 Angle the panel into the Square One frame so that the bottom edge of the panel sits in the notches of the two retainers as shown.

4 Push the top side of the panel in while gently pushing the center of the panel in the reverse direction

Note: It is important to push the center of the panel for the panel to bend slightly.

Be sure to not push too hard or the acrylic panel may break.

5 Release pressure from the center of the panel and it should sit in the notches in the top retainers.

6 The Acrylic Panel Insert should now be installed.

