

Tubular X-Bases | Indiana FURNITURE

Attachment & Placement For Circular Tops Assembly Instructions

Components:

- Screws, 5/8" PPH – 8 Per Tubular X-Base
- Adjustable Glides – 4 Per Tubular X-Base

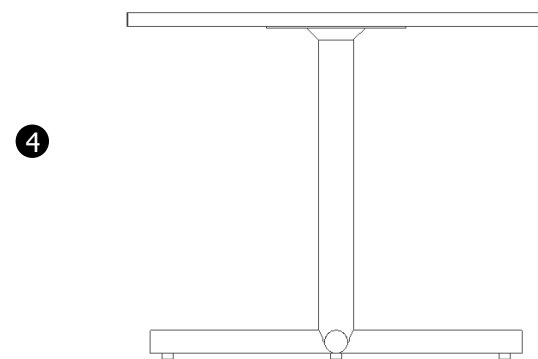
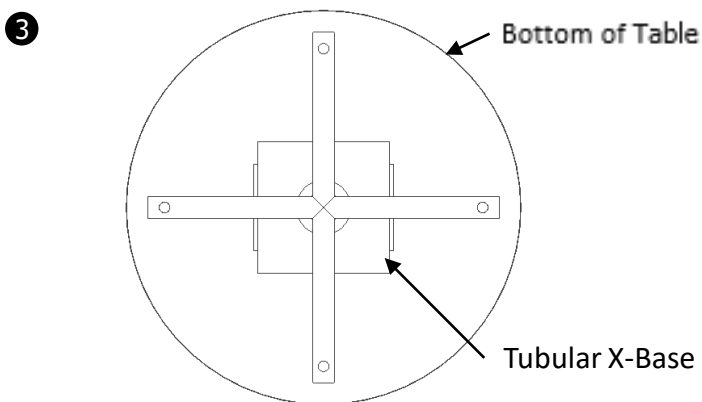
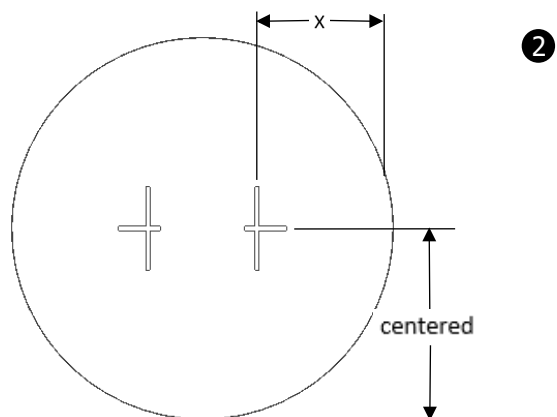
1 Insert adjustable glides into base bottom.

2 Follow chart for center dimensions.

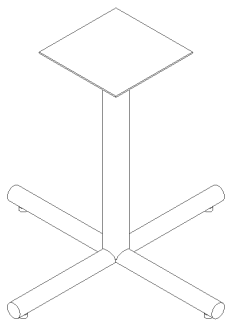
Top size	Inset dimension	X-base
30"	x = 9"	32"
36"	x = 12"	32"
42"	x = 15"	32"
48"	x = 18"	38"

3 Measure and mark inset location on bottom of table.

4 Place X-base in location. Attach base to bottom of table with 1 3/4" screws.



Side view of Table after Attachment



Tubular X-Bases | Indiana FURNITURE

Attachment & Placement For Square Tops

Assembly Instructions

Components:

- Screws, 5/8" PPH – 8 Per Tubular X-Base
- Adjustable Glides – 4 Per Tubular X-Base

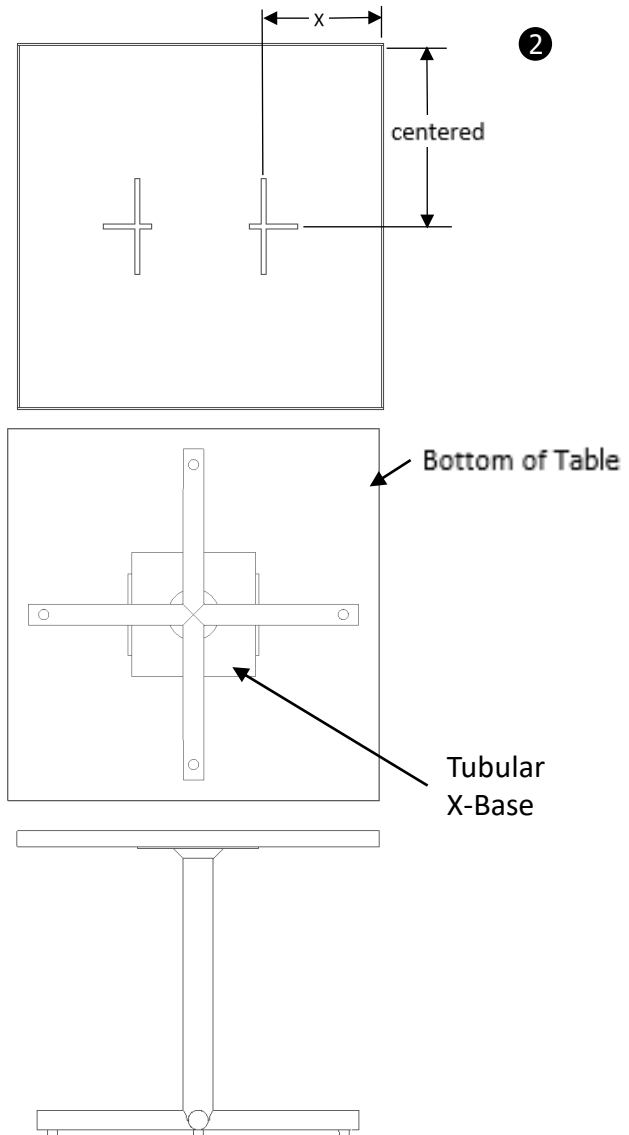
1 Insert adjustable glides into base bottom.

2 Follow chart for base inset dimensions.

Top size	Inset dimension	Tubular X-base
36"	x = 12"	32"
42"	x = 15"	38"

3 Measure and mark inset locations on bottom of table.

4 Place tubular X-base in location. Attach base to bottom of table with 1 3/4" screws.



Side view of Table after Attachment