

Corner Table Ganging Assembly Instructions

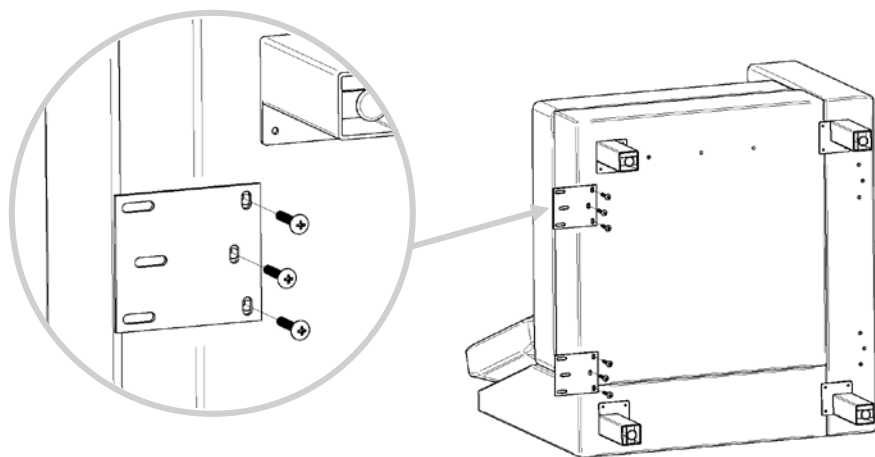
Ganging:

Note: These instructions only apply to 620-3333CGT & 620-3333CGTT.

- 1 Start by laying the chairs that are going to be ganged to the table on their back.

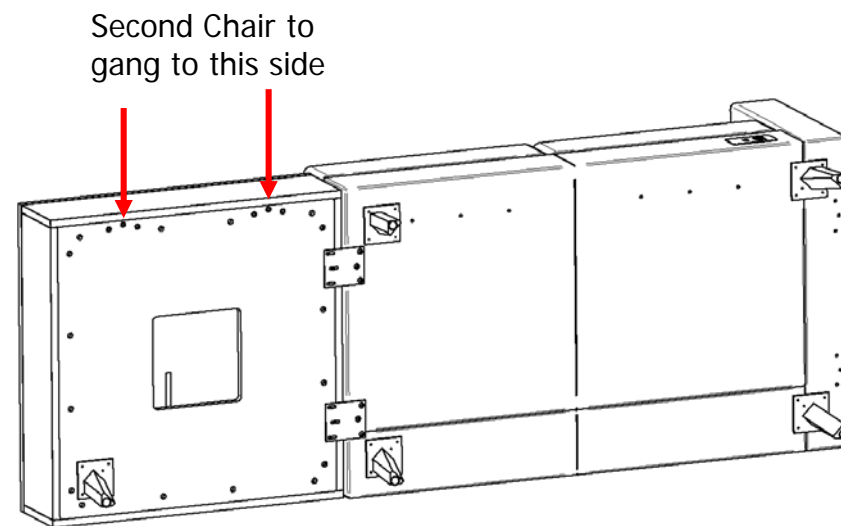
Attach the metal ganging plates to the chair, as shown, with the smaller slots on the chair side. Use the 1-1/2" long bolts to attach the plate to the chair.

Do not fully tighten the bolts yet. Leave them loose for final adjustments.

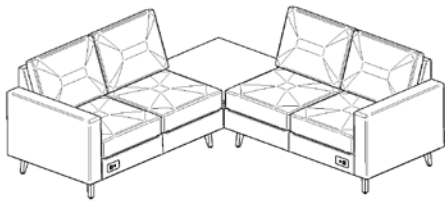


- 2 Position the table next to the first chair to be ganged.

Note: Make sure the insert nuts for the second chair are oriented in the correct direction for the desired layout.



Note: Images shown are for clarity purposes only and may not match the unit that you are currently ganging together.



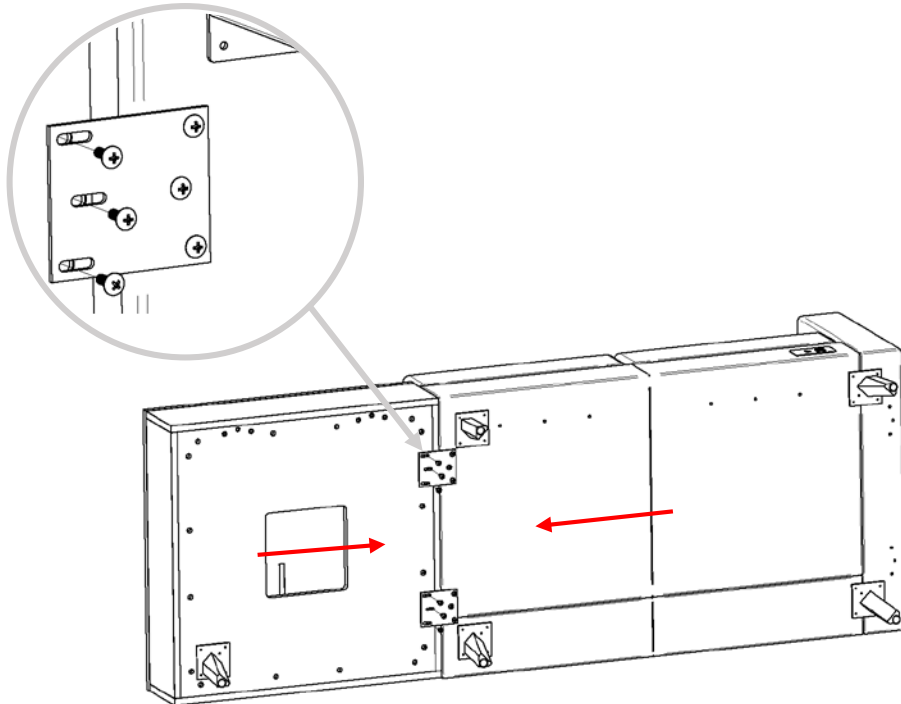
Corner Table Ganging Assembly Instructions

- 3** Attach the table to the metal ganging plates.

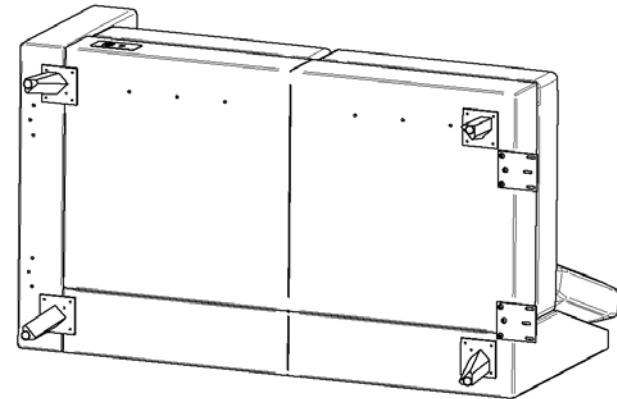
For units without the Plinth option use $\frac{3}{4}$ " long bolts.

For units with the Plinth option use 1-1/2" long bolts.

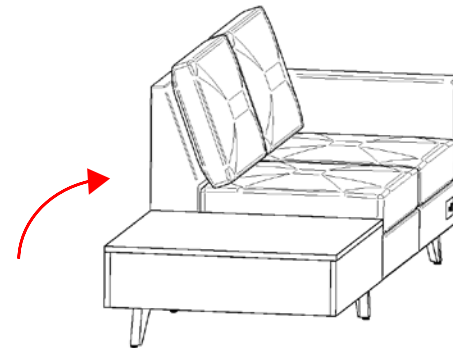
Once all the bolts are started, push the units together and tighten all 12 bolts holding on the ganging brackets.



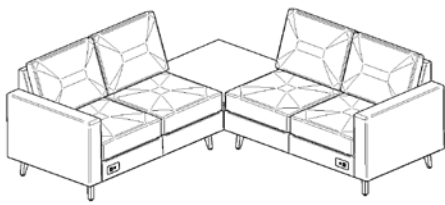
- 4** Repeat step 1 for the second chair to be ganged.



- 5** With some help, carefully rotate upright the all the units.

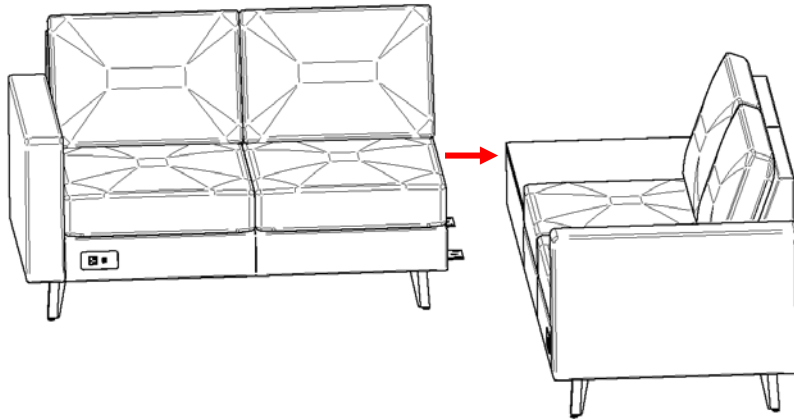


Note: Images shown are for clarity purposes only and may not match the units that you are currently ganging together.



Corner Table Ganging Assembly Instructions

- 6** Push the second chair up to the assembled unit. Make sure to align the holes on the brackets with the inserts in the table.



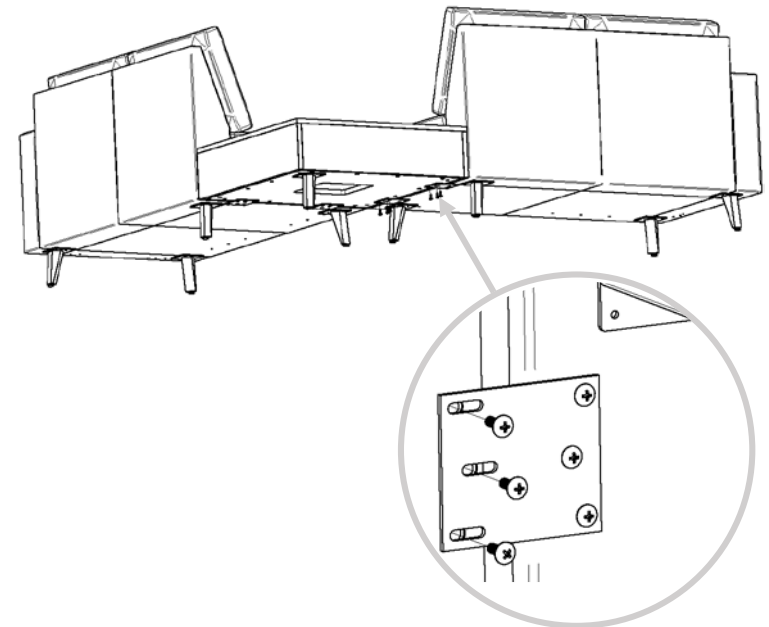
- 7** Use a short screwdriver or a right-angle drill to install the bolts into the bottom of the table.

For units without the Plinth option use $\frac{3}{4}$ " long bolts.

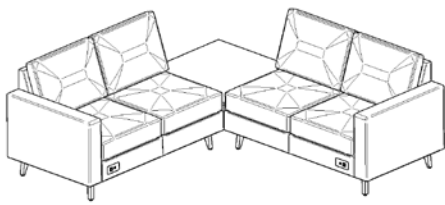
For units with the Plinth option use 1-1/2" long bolts.

Once all the bolts are started, push the units together and tighten all 12 bolts holding on the ganging brackets.

Assembly is complete after this step.



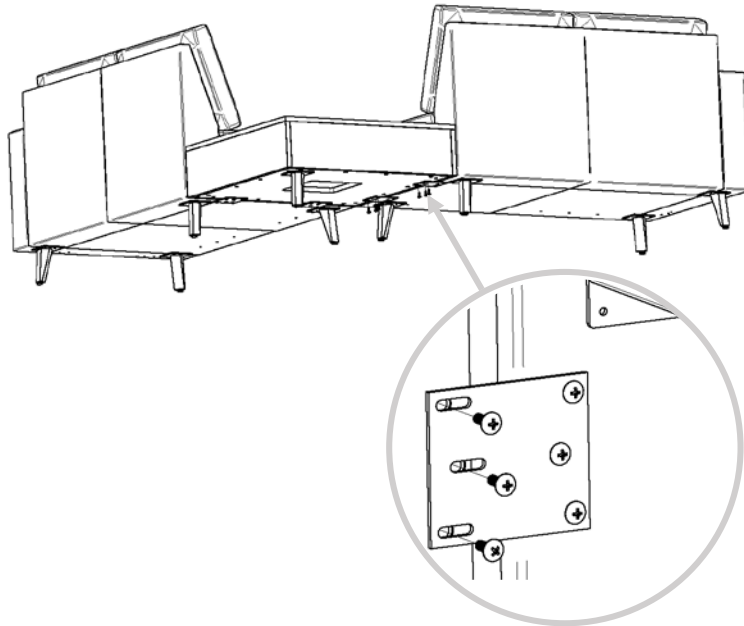
Note: Images shown are for clarity purposes only and may not match the units that you are currently ganging together.



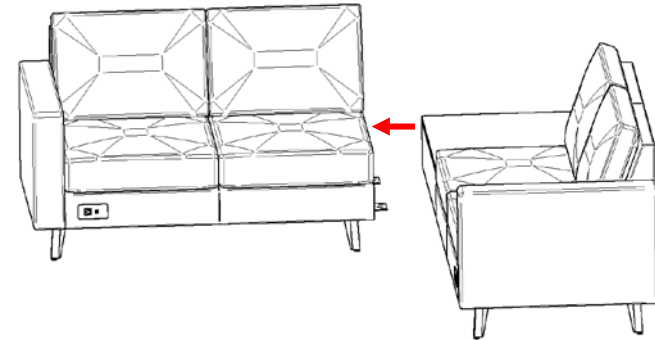
Corner Table Ganging Disassembly Instructions

Disassembly:

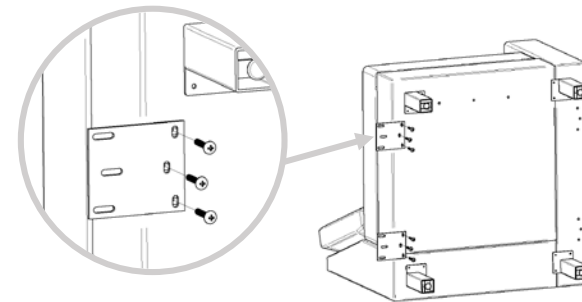
- 1 Use a short screwdriver or a right-angle drill to remove the bolts from the bottom on one side of the table.



- 2 Pull the units apart and rotate them onto their backs.



- 3 Remove the ganging plates by removing all bolts from the table & chairs holding them on.



- 4 Rotate the units back upright. Disassembly is now complete.

Note: Images shown are for clarity purposes only and may not match the units that you are currently ganging together.