

620-26260T Ganging Assembly Instructions

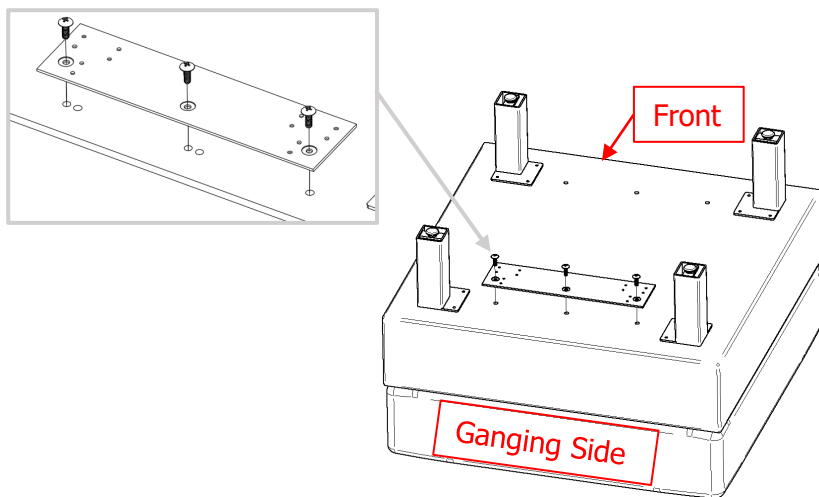
Ganging:

Note: These instructions only apply to 620-26260T.

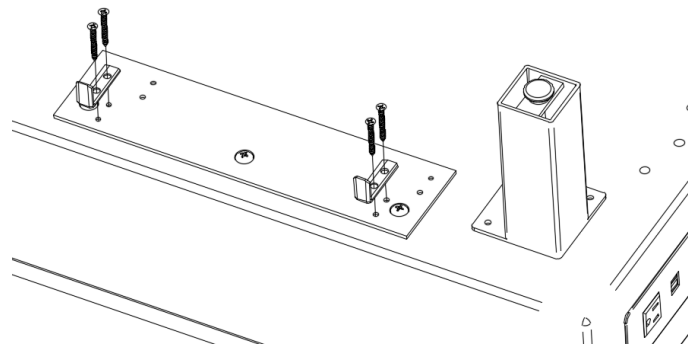
For units with 'Plinth' option skip to page # 3

Units without Plinth:

- 1 Start by flipping over the ottoman unit.
- 2 On the side that will face the chair, install the MDF mounting piece (note orientation) using the $\frac{3}{4}$ " long bolts.

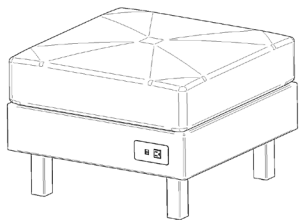


- 3 Next fasten the 'L' Brackets to the mounting piece as shown. Use the #8 x 1-1/2" long screws.



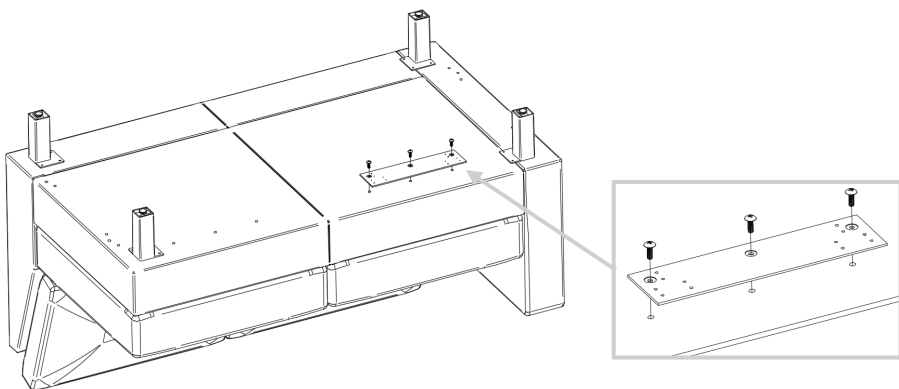
- 4 Flip the ottoman back over. This unit is ready for ganging.
- 5 Flip the chair the ottoman is ganging to onto its back.

Note: Images shown are for clarity purposes only and may not match the unit that you are currently ganging together.

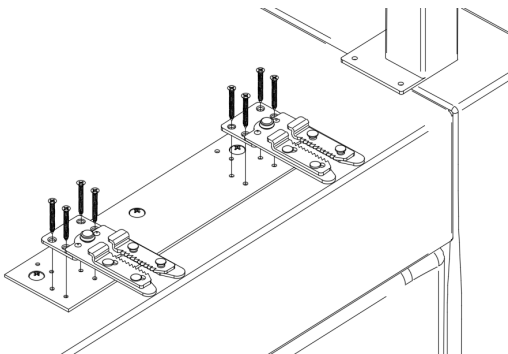


620-26260T Ganging Assembly Instructions

- 6** Screw the MDF mounting piece to the desired location on the chair as shown (insert nuts are installed in the chair). Use the $\frac{3}{4}$ " long bolts to attach this piece. (Note orientation)

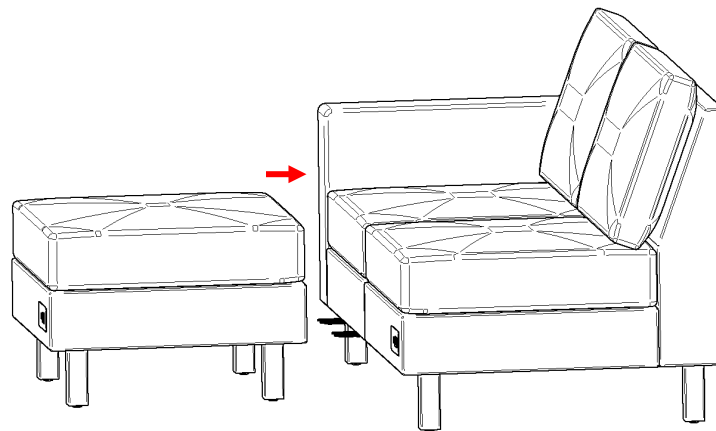


- 7** Attach the 2-prong ganging bracket using the #8 x 1-1/2" long screws.



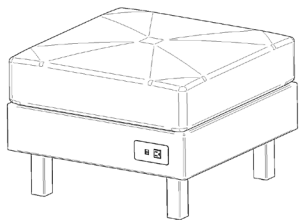
- 8** Rotate the ganging chair back upright.

- 9** Align the ottoman and the ganging chair together and push the two units together until there is no gap between them.



- 10** Assembly of this configuration is complete.

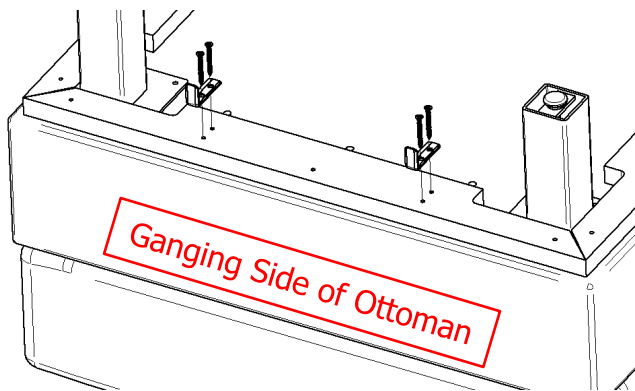
Note: Images shown are for clarity purposes only and may not match the units that you are currently ganging together.



620-26260T Ganging Assembly Instructions

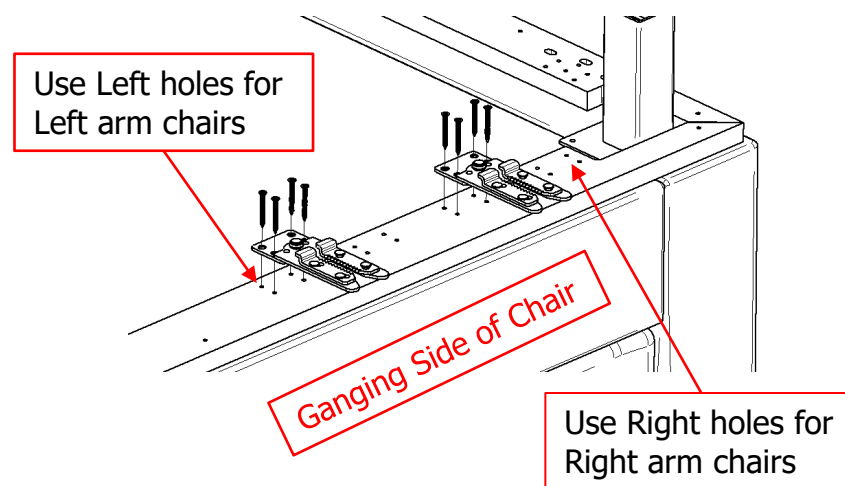
Units with Plinth:

- 1 Start by flipping over the ottoman unit.
- 2 Attach the 'L' brackets to the holes in the plinth. Use the #8 x 1-1/2" long screws to attach the brackets.



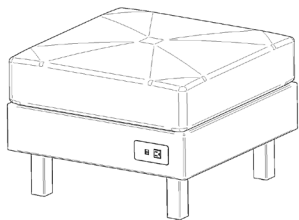
- 3 Flip the ottoman back upright and flip over the unit the ottoman is ganging to.

- 4 Attach the 2-prong part of the ganging brackets to the appropriate holes in the plinth for your configuration. Use the #8 x 1-1/2" long screws to install the brackets.



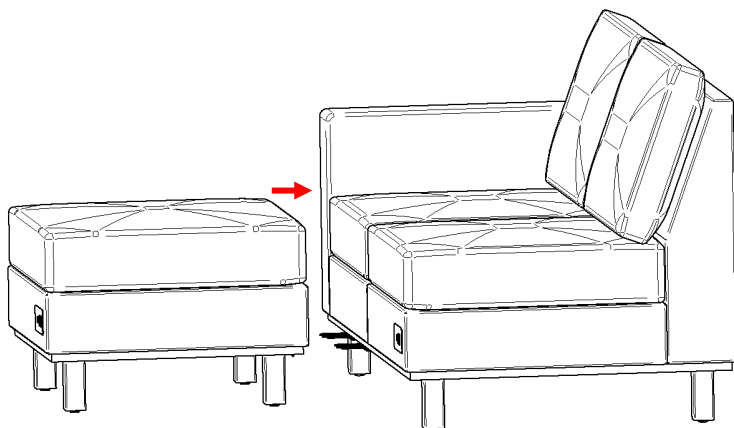
- 5 Rotate the chair back upright.

Note: Images shown are for clarity purposes only and may not match the units that you are currently ganging together.



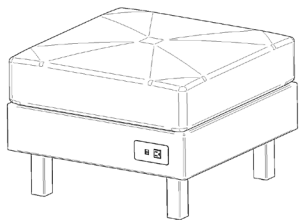
620-26260T Ganging Assembly Instructions

- 6** Align the ottoman and the ganging chair together and push the two units together until there is no gap between them.



- 7** Assembly of this configuration is complete.

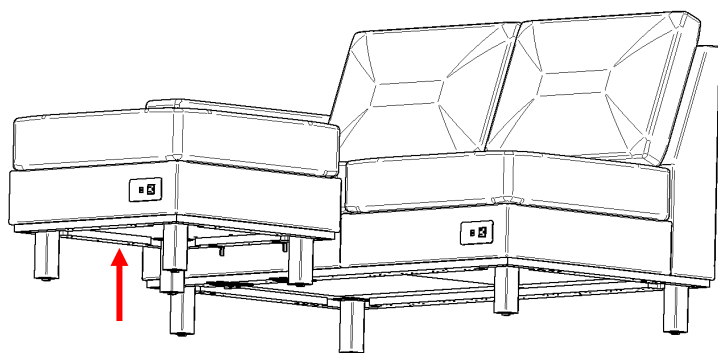
Note: Images shown are for clarity purposes only and may not match the units that you are currently ganging together.



620-26260T Ganging Disassembly Instructions

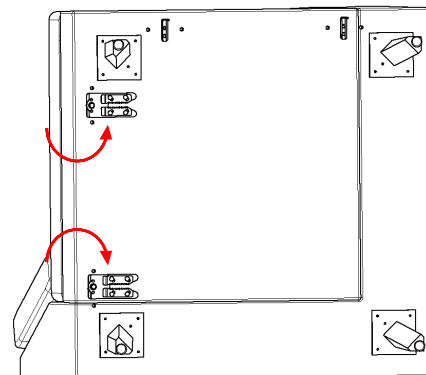
Disassembly:

- 1 To remove the ottoman from either application, lift the ottoman to disconnect it from the adjoining unit. Make sure the adjoining unit stays on the ground.



Note: You will only need to lift the ottoman approx. 2" to remove the L bracket from the 2-prong portion of the ganging bracket.

- 2 Rotate the 2-prong portion of the brackets back in. Disassembly is now complete.



Note: Images shown are for clarity purposes only and may not match the units that you are currently ganging together.