

General Table Ganging Assembly Instructions

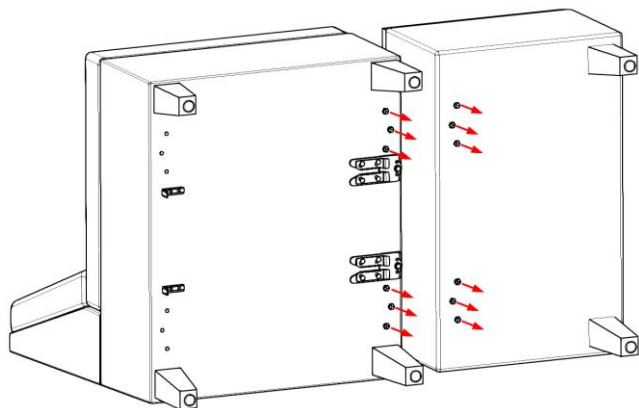
Ganging:

Note: These instructions only apply to all straight ganging tables & end tables.

For corner or angled ganging tables see separate instructions.

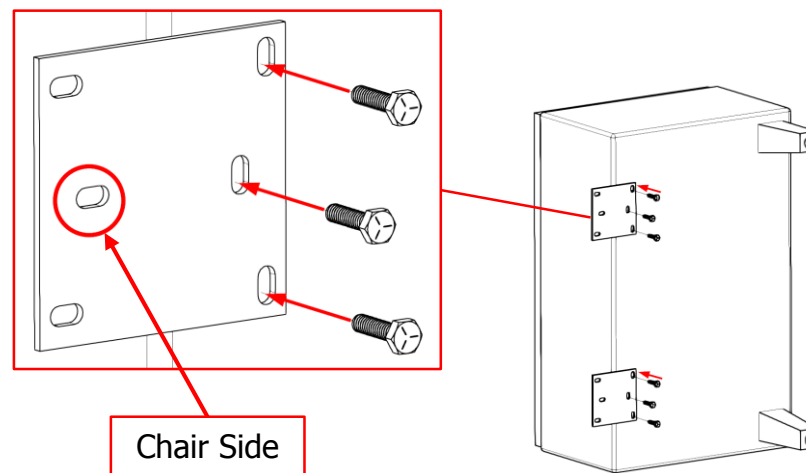
- 1 First start by figuring out the desired layout of units.
- 2 Lay the chairs and tables that are going to be ganged on their back.

Remove the ¼-20 hex bolts from the bottom of the units to be ganged together.



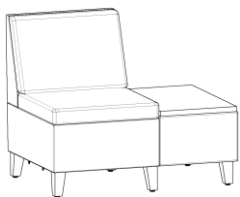
- 3 Attach the metal ganging plates to the table, as shown. The horizontal slots, circled below, should face the chair. Use the ¼-20 hex bolts to attach the plates to the table.

Do not fully tighten the bolts yet. Leave them loose for final adjustments.



- 4 Repeat step 3 for any additional tables to be ganged to a chair. Then position the tables & chair in the desired layout.

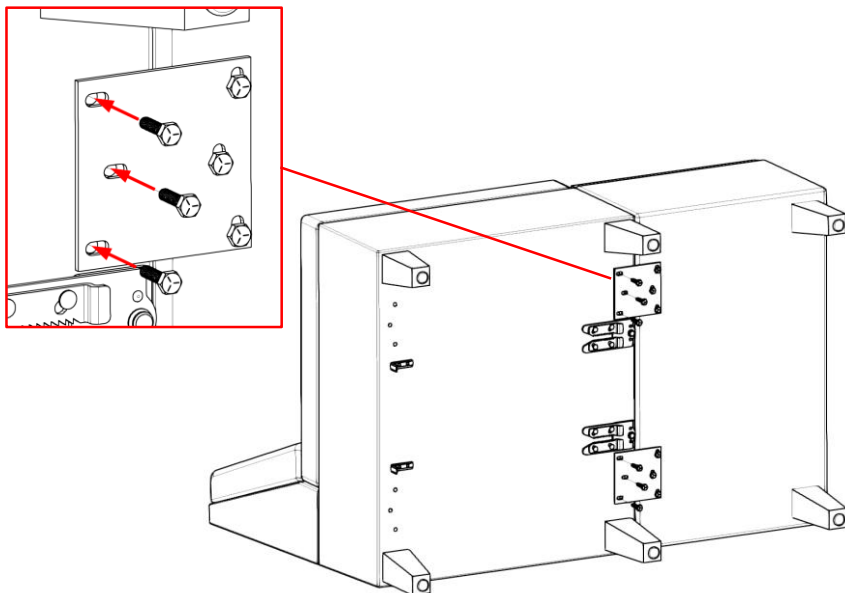
Note: Images shown are for clarity purposes only and may not match the unit that you are currently ganging together.



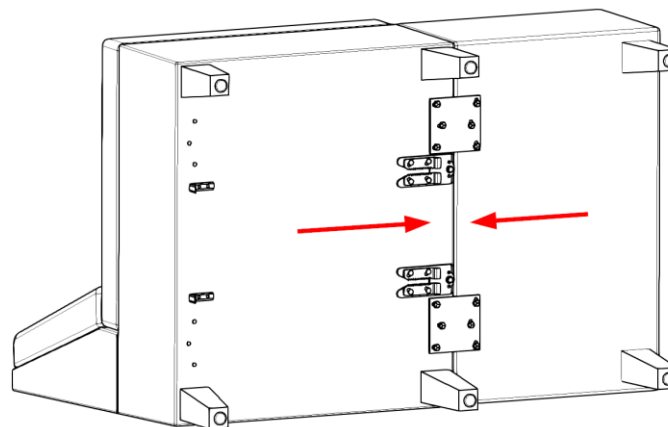
General Table Ganging Assembly Instructions

- 5** Attach the chair to the metal ganging plates using the 1/4-20 hex bolts.

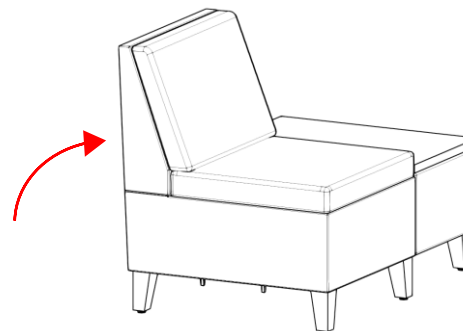
Do not fully tighten bolts yet. Leave them loose for final adjustment.



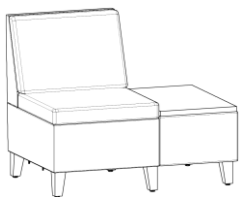
- 6** With some help, push all units tight together and tighten the bolts on the ganging plates.



- 7** With some help, carefully rotate up the assembled units. Assembly is now complete.



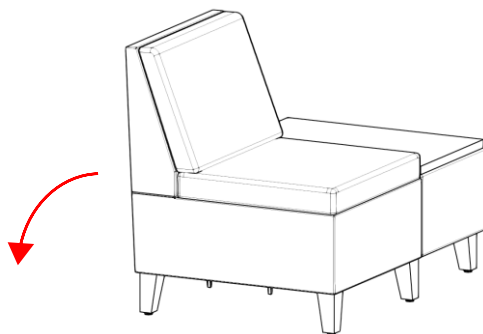
Note: Images shown are for clarity purposes only and may not match the units that you are currently ganging together.



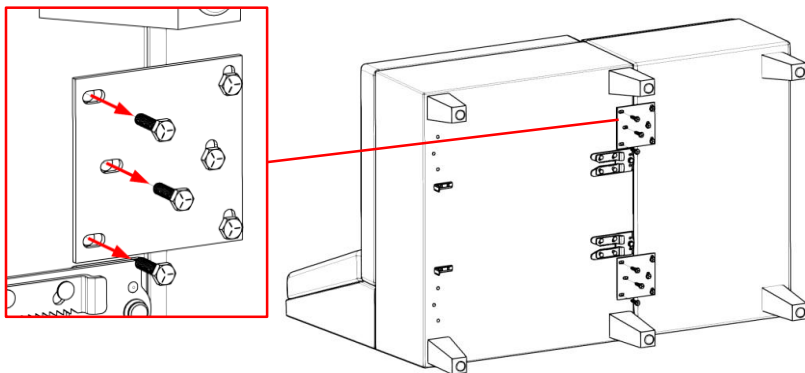
General Table Ganging Assembly Instructions

Disassembly:

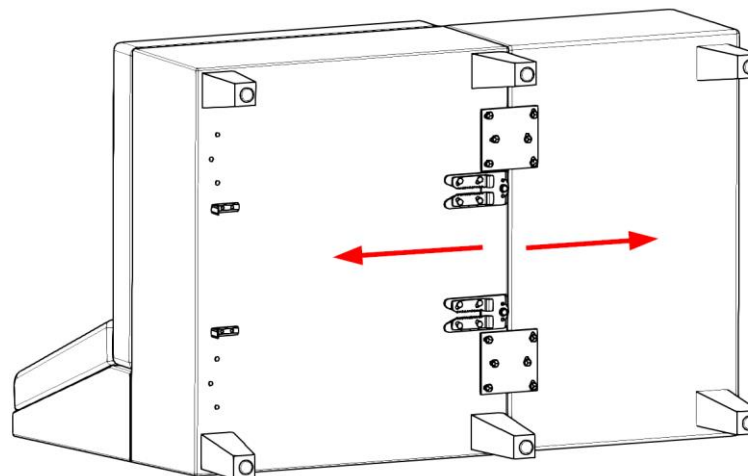
- 1 With some help, carefully rotate the assembled units onto their back.



- 2 Remove all the bolts from the ganging plates between the adjoining units.



- 3 Pull the units apart and rotate them back upright. Disassembly is now complete.



Note: Images shown are for clarity purposes only and may not match the units that you are currently ganging together.