



Metal Tablet Arm Assembly Instructions

Assembly:

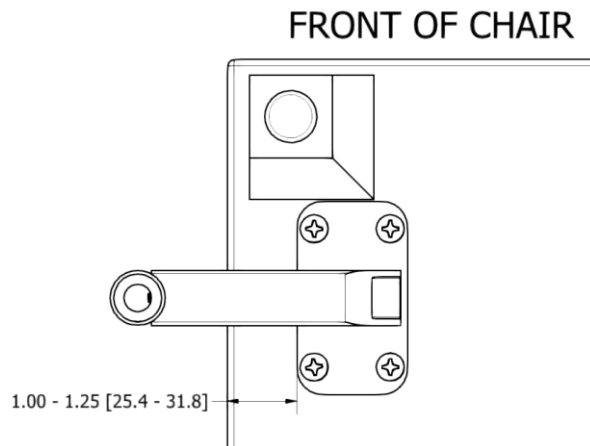
Note: These instructions apply to all Isla seating units with 1 arm or no arm.

- 1 First start by turning the chair onto its back.

Make sure you lay down something to protect the fabric.

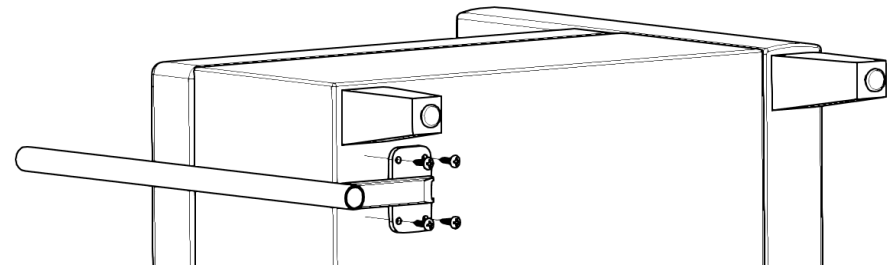
- 2 Choose which side the tablet arm is to be installed on.

- 3 Position the mounting plate for the metal arm post on the bottom of the chair. Align the plate 1" – 1.25" from the side of the chair & flush to the inside edge of the leg. Mark the hole locations & cut out the black bottom where the marks are.

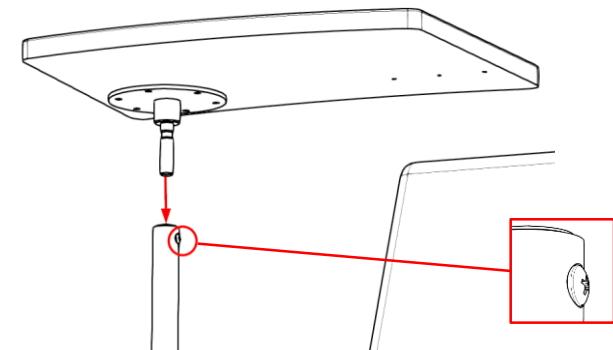


- 4 Attach the metal arm post to the bottom of the chair using the #12 x 1" screws.

It may help to pre-drill the holes with a 1/8" drill bit.



- 5 Install the tablet into the top of the metal arm post. Make sure to tighten the set screw circled in red. The set screw should only keep the tablet from pulling back out, not keep it from rotating.



- 6 Assembly Complete