

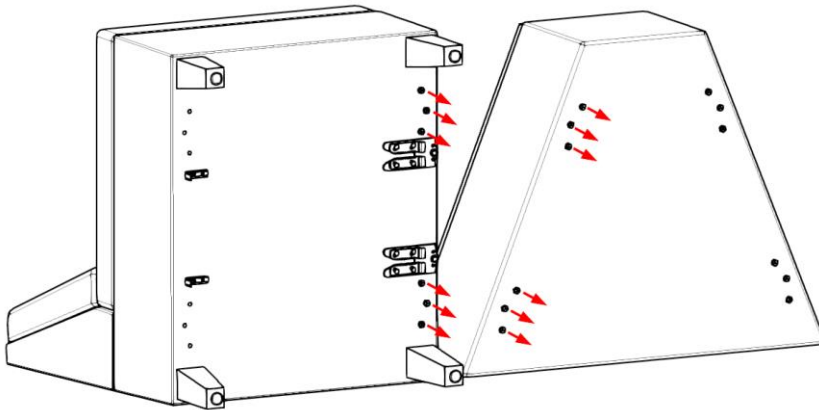
Corner Table Ganging Assembly Instructions

Ganging:

Note: These instructions only apply to corner and angled ganging tables.

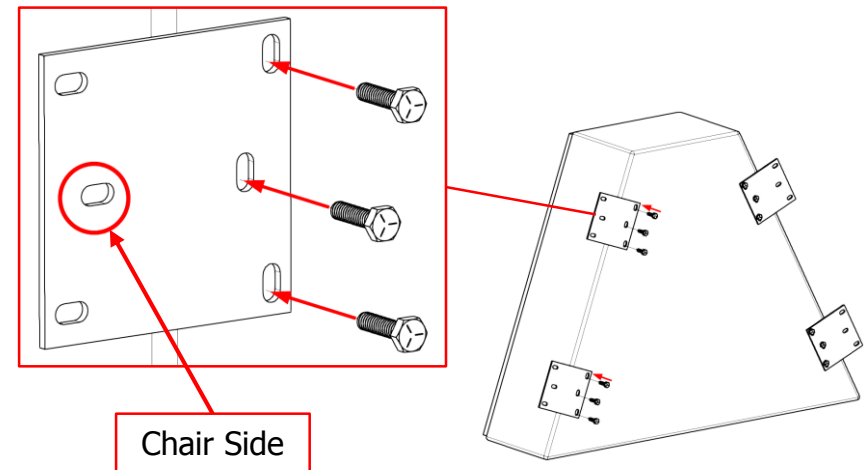
- 1 First start by figuring out the desired layout of units.
- 2 Lay the chairs and tables that are going to be ganged on their back.

Remove the ¼-20 hex bolts from the bottom of the units to be ganged together.

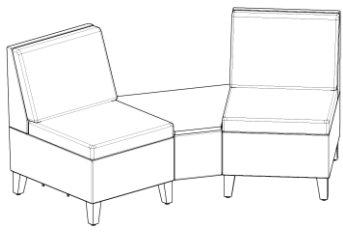


- 3 Attach the metal ganging plates to both sides of the table, as shown. The horizontal slots, circled below, should face the chair. Use the ¼-20 hex bolts to attach the plates to the table.

Do not fully tighten the bolts yet. Leave them loose for final adjustments.



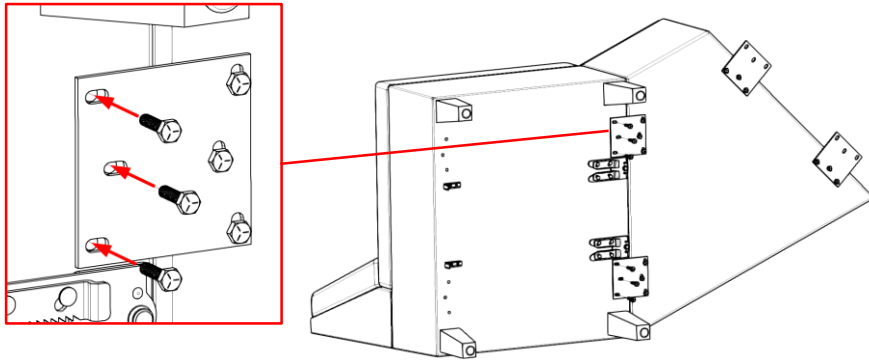
Note: Images shown are for clarity purposes only and may not match the unit that you are currently ganging together.



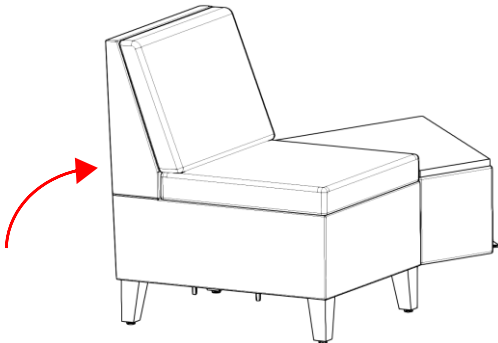
Corner Table Ganging Assembly Instructions

- 4** Attach the chair to the metal ganging plates using the 1/4-20 hex bolts.

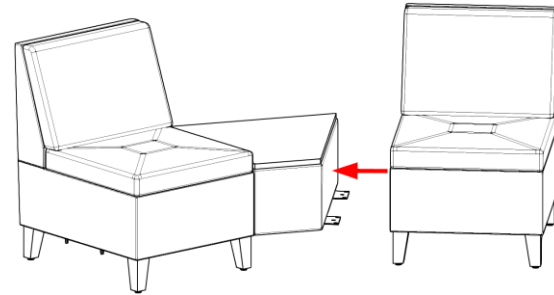
Push the 2 units tight together and tighten all 12 bolts that join the 2 units.



- 5** With some help, carefully rotate upright the all the units.

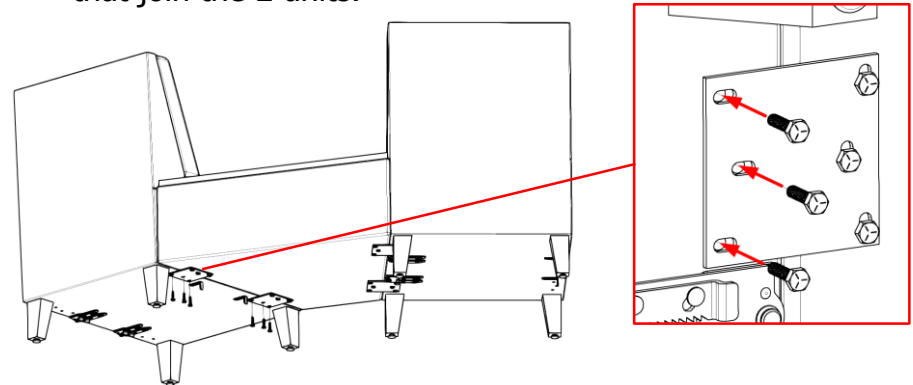


- 6** Align the adjoining chair to the opposite side of the table.



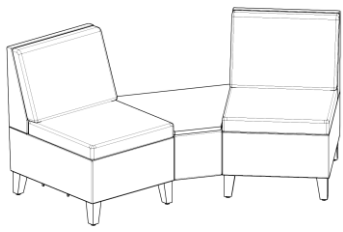
- 7** Attach the chair to the metal ganging plates using the 1/4-20 hex bolts.

Push the 2 units tight together and tighten all 12 bolts that join the 2 units.



- 8** Repeat steps 2-7 for any additional units. Otherwise, assembly is complete.

Note: Images shown are for clarity purposes only and may not match the units that you are currently ganging together.

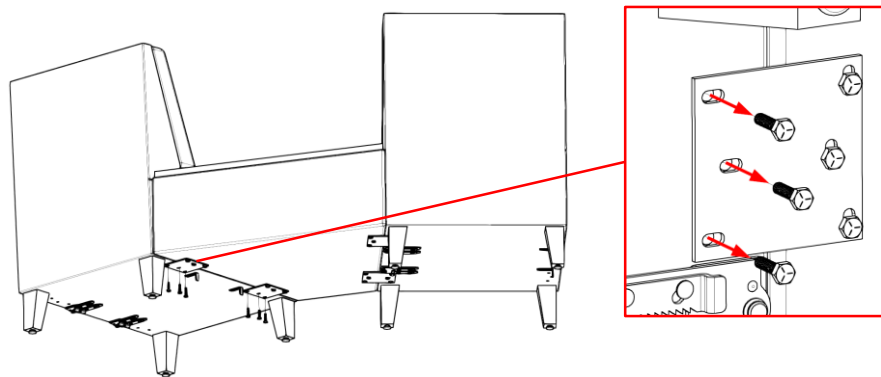


Corner Table Ganging Assembly Instructions

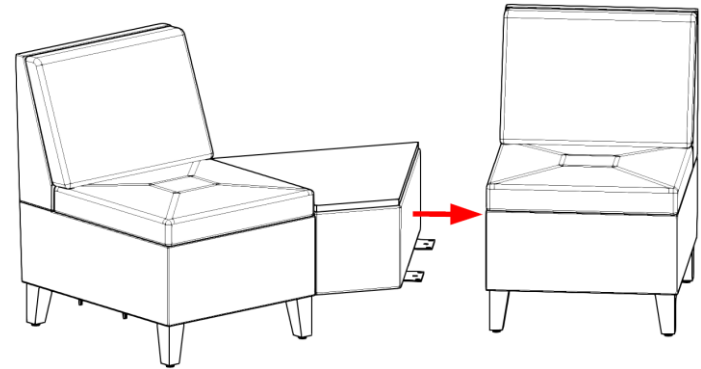
Disassembly:

- 1 Remove the bolts from the ganging plates between 2 of the units.

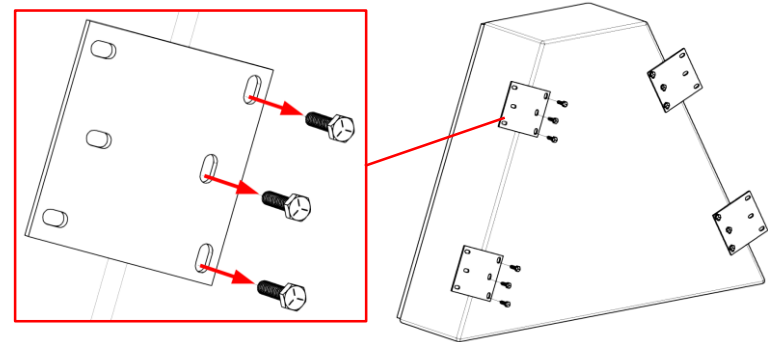
Separate the units into small enough sections to easily rotate on their back.



- 2 Pull the units apart and rotate them onto their backs.



- 3 Remove the ganging plates by removing all bolts from the table & chairs holding them on.



- 4 Rotate the units back upright. Disassembly is now complete.

Note: Images shown are for clarity purposes only and may not match the units that you are currently ganging together.