

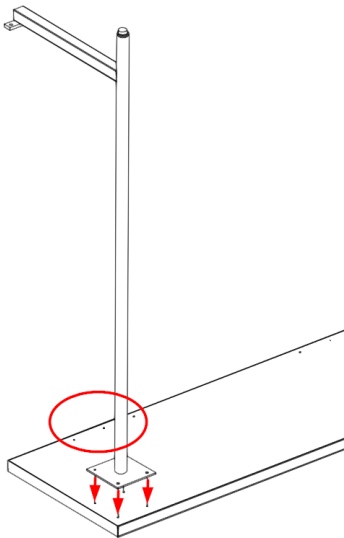
Isla Lounge | Indiana FURNITURE

Bistro Table Assembly Instructions

Assembly:

Note: These instructions apply to all Isla bistro tables.

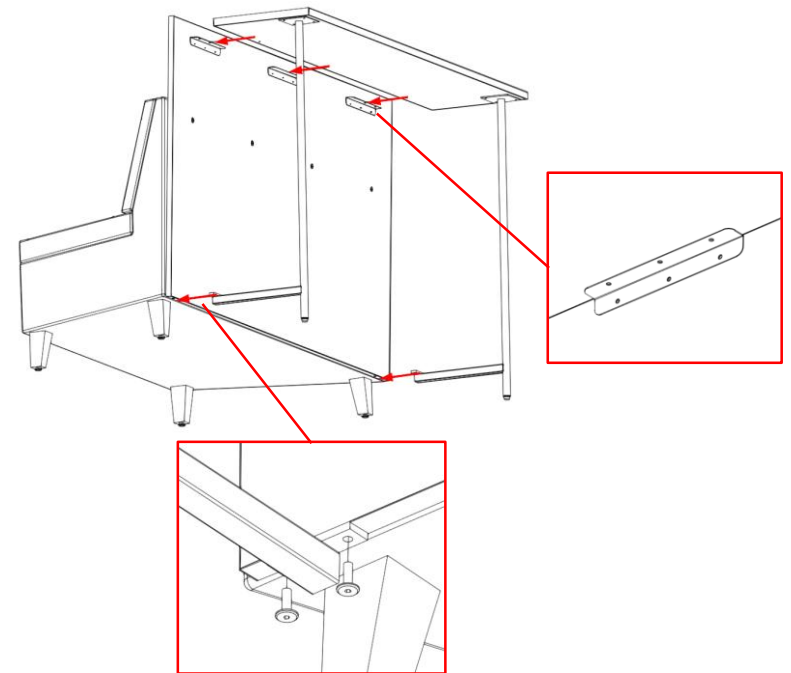
- 1 First start by unpacking the chair, tabletop, & legs from the box.
- 2 Lay the tabletop upside down onto a soft surface so it doesn't scratch the top. Have the pilot holes facing up.
- 3 Attach the legs to the top as shown using the #10 x 3/4" screws. Please note the direction of the leg in relation to the holes circled below.



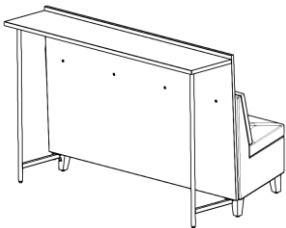
- 4 Align the top to the vertical panel attached to the chair.

Attach the top to the L-brackets with #8 x 5/8" screws. Align the pilot holes in the top with the brackets.

Attach the legs to the bottom of the vertical panel using the 1/4-20 x 1" decorative head bolts.



- 5 Assembly Complete



Isla Lounge | Indiana FURNITURE

Bistro Table Assembly Instructions

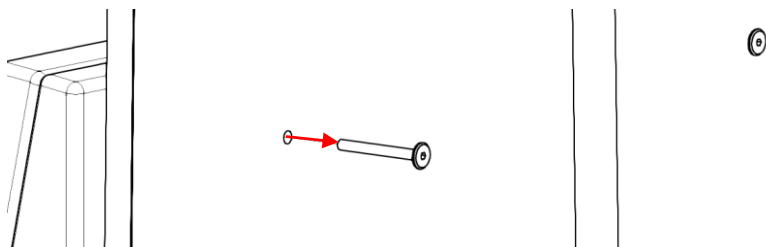
Hardware Replacement:

Note: These instructions apply to all Isla bistro tables.

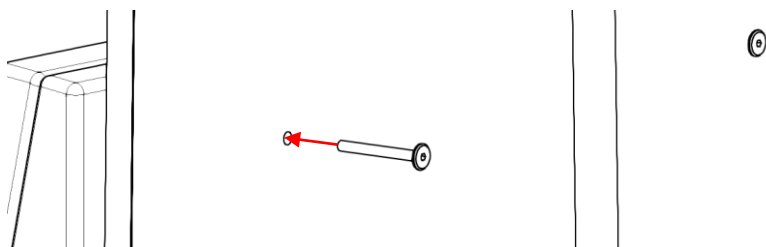
This is for replacing the nickel hardware on the vertical panel with the optional black hardware shipped with the chair.

Complete these steps one bolt at a time. Do not take all the bolts out at once.

- 1 Remove the first bolt.



- 2 Install the new black bolt.



- 3 Repeat steps 1 & 2 for the remaining 3 bolts. Do this process one bolt at a time.
- 4 Assembly Complete