

3792-45C Ganging Assembly Instructions

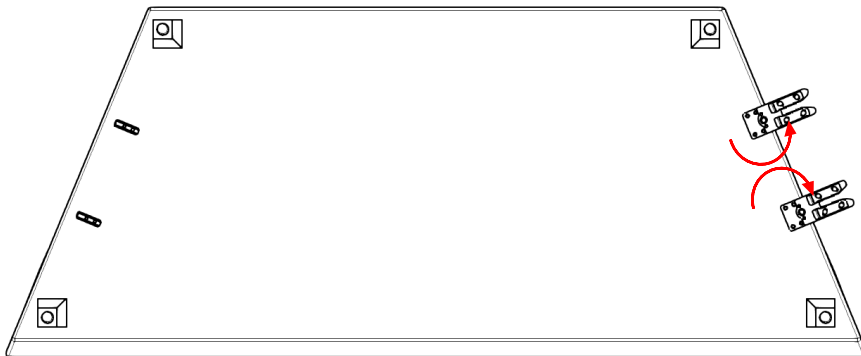
Ganging:

Note: These instructions only apply to 3792-45C units.

Please note 3792-45C units can only gang to other 3792-45C units.

Attach any bistro tables to the chairs prior to ganging.

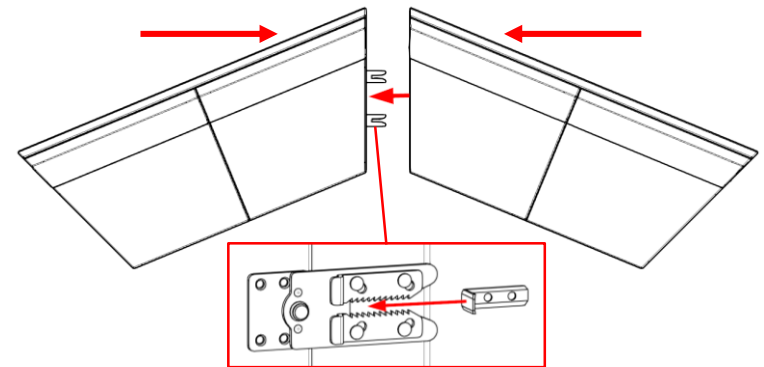
- 1 First start by figuring out the desired layout of units.
- 2 Start by folding out the ganging brackets on the unit that is to be ganged to.



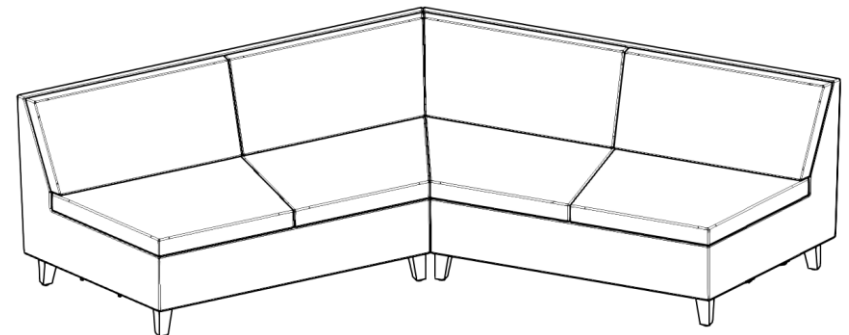
Units should be ganged standing upright. Units shown on their back for clarity.

- 3 Align the 2 units to be ganged together. Push them together until there is no gap.

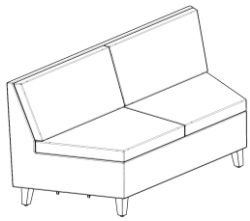
The brackets should click as the units are pushed together.



- 4 The two units should be fully ganged and should not pull apart.



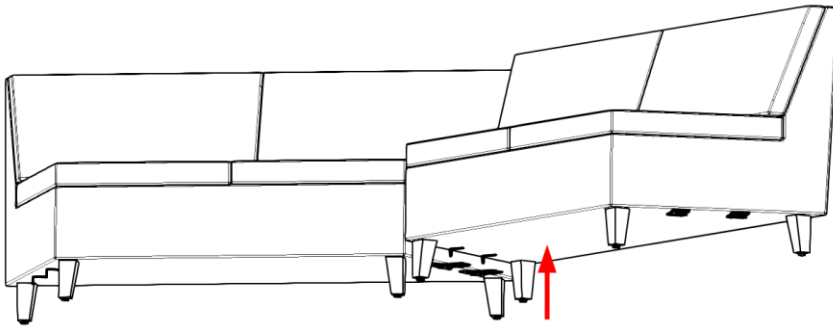
Note: Images shown are for clarity purposes only and may not match the unit that you are currently ganging together.



3792-45C Ganging Assembly Instructions

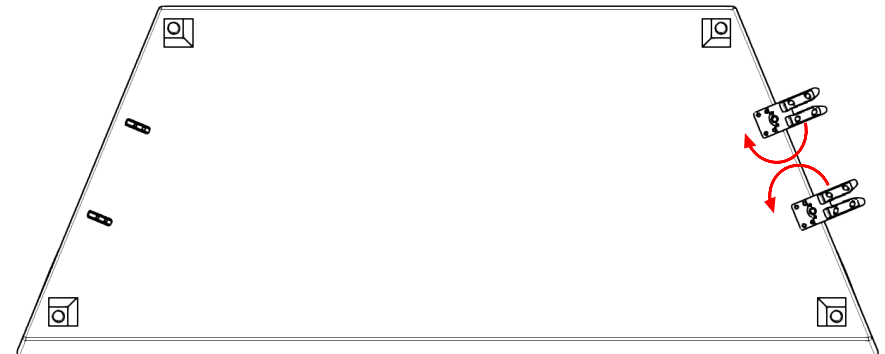
Disassembly:

- 1 To remove a chair from a ganging application, lift the chair to disconnect it from the adjoining unit. Make sure the adjoining unit stays on the ground.



Note: You will only need to lift the chair approx. 2" to remove the L bracket from the 2-prong portion of the ganging bracket.

- 2 Rotate the 2-prong portion of the brackets back in. Disassembly is now complete.



Note: Images shown are for clarity purposes only and may not match the units that you are currently ganging together.