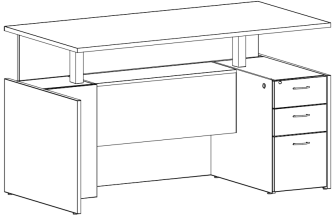


# HA Desk and Credenza | Indiana FURNITURE

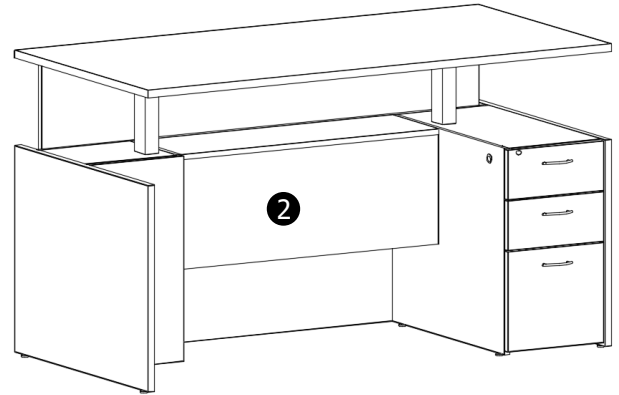
## Assembly Instructions



### Tools Required:

- 1 – Bullet Level
- 1 – Pry Bar

- 1 Carefully remove desk from carton and packaging. Verify all Levelers are installed. Place the desk in the desired location.
- 2 Locate control box attached behind kneespace back panel. Run power cord thru desired ped grommet and down and out bottom of ped to power source.
- 3 Raise top and level chassis front to back on both ends. Then level side to side.
- 4 Lower the top until it just clears the chassis, checking that the gap between the top and chassis is equal around the entire chassis. This is to ensure the top when lowered will not strike one corner before the others which could cause the top to automatically return to the 2" soft stop. This is a safety feature to prevent harm. (see image)



4

