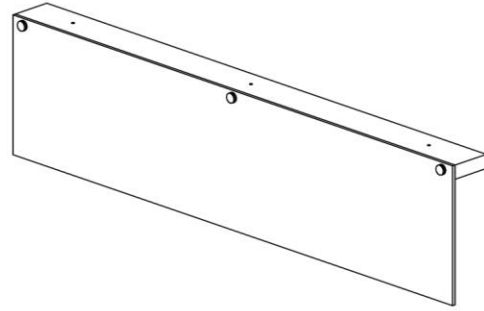


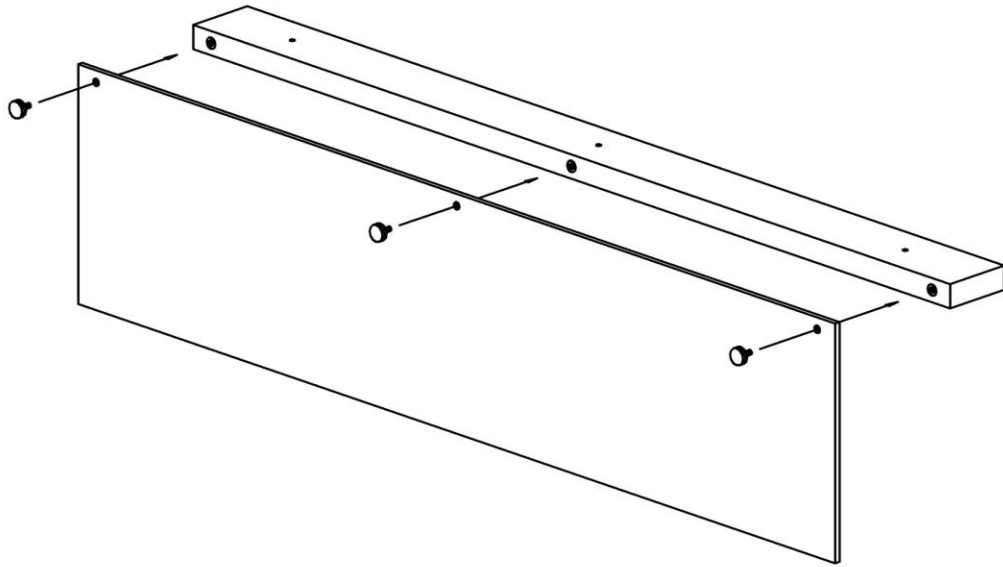
Canvas Privacy/Modesty Panel Installation Instructions

Part List

- Support Rail
- Acrylic
- Stand Offs
- #8 x 1-3/4" Screws

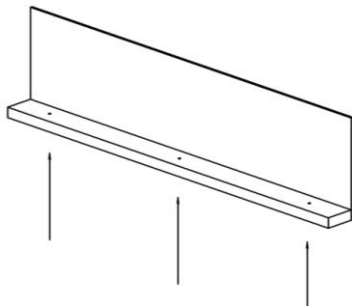


Step 1: Using *Stand Offs* and the supplied *Acrylic*, screw the *Stand Offs* thru the *Acrylic* and into the insert nuts mounted in the *Support rail* as shown below



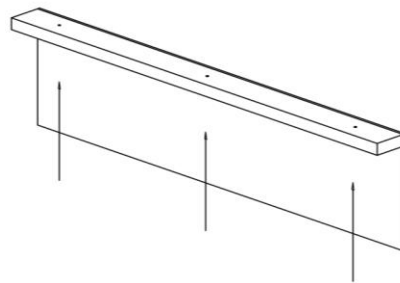
Step 2: Next, using the supplied *Screws*, drive the screws thru the pilot holes in the *Support Rail* up into the underneath side of the work surface. Orient the part depending upon the application. Orient *Acrylic* above the work surface for a Privacy Panel or orient *Acrylic* below the work surface for Modesty Panel

Privacy Panel Application



Drive Screws Up Into Work Surface

Modesty Panel Application



Drive Screws Up Into Work Surface