

Acoustical Panel  
Inserts (AP-0820AP)

# Square One | Indiana FURNITURE

## Assembly Instructions 12" ACOUSTICAL PANEL INSERTS

### Tools Needed:



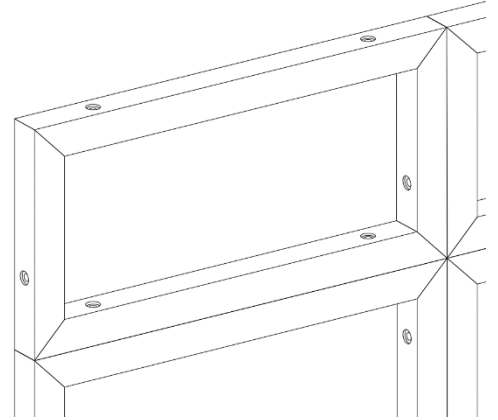
Ladder



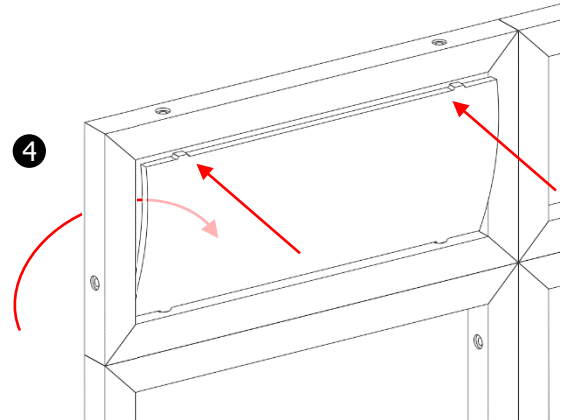
1 Installer

- 1 Begin by verifying the location of where the panel will be placed on the Square One configuration.
- 2 Take the Acoustical Panel Insert and orient it how you want it installed. Note: the orientation of the tabs must be as shown in step #4.
- 3 Angle the panel into the Square One configuration so that the two tabs on one side of the panel align with two bolt heads in the configuration.
- 4 Next push the opposite side of the panel into the configuration while gently pushing in on the center of the panel from the reverse side.
- 5 The Acoustical Panel Insert should now be installed.

1



4



5

