

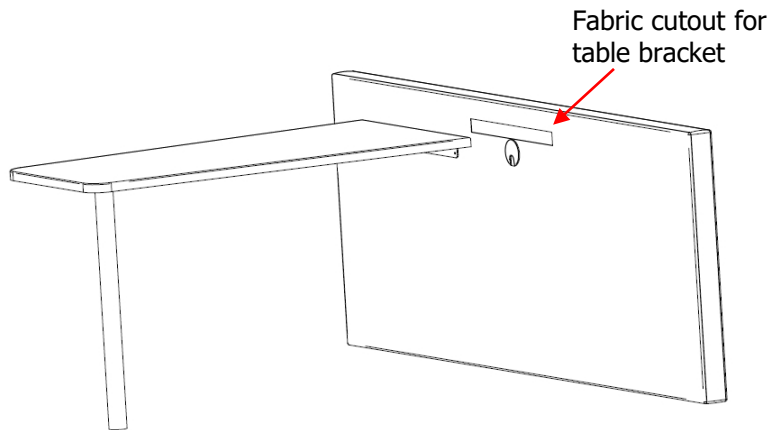
Fifteen Lounge | Indiana FURNITURE

Center Panel Table Assembly Instructions

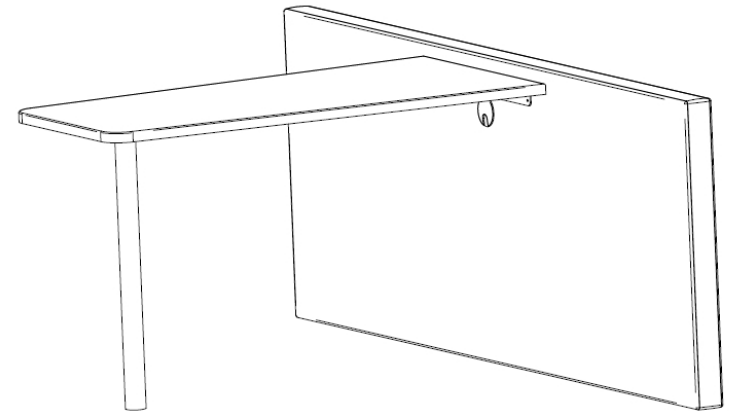
- 1 Slide the table next to the Center Panel.

Note: The Center Panel will have a Grommet and the fabric will be cutout for the location to mount the table.

- 2 Attach table to Center Panel using 2202-01201 - #12 x 1 PPH screw.



- 3 Table is now attached.



Note: Images shown are for clarity purposes only and may not match the items that you are assembling.