

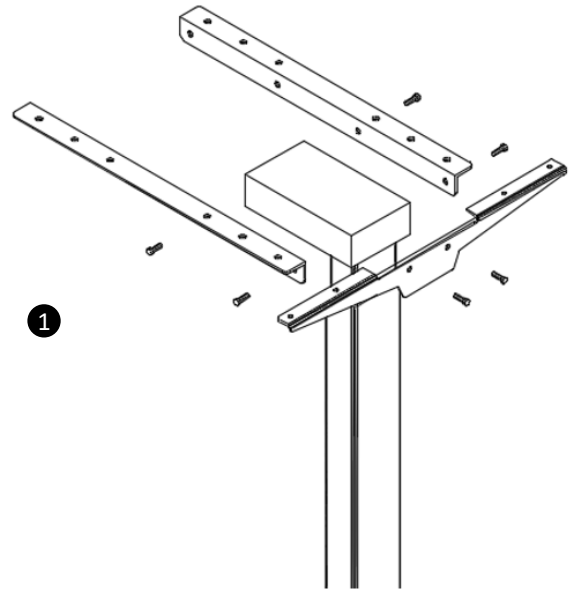
# Height Adjustable Leg | Indiana FURNITURE

## Assembly Instructions

### Components:

- Height Adjustable Leg
- Foot
- T-Support
- Top Mount L-Brackets (Qty 2)
- Grey Levelers (Qty 2)
- #10 X 7/8 PPH Zinc Screws (Qty 12)
- M6-16mm Black Screws (Qty 6)
- M6-25mm Black Screws (Qty 4)

- 1 Attach T-support and L-Brackets to Height Adjustable Leg using M6-16mm screws.



- 2 Screw in levelers to foot and attach foot to Height Adjustable Leg using M6-25mm screws.

