

# Glass Surface Installation | Indiana FURNITURE

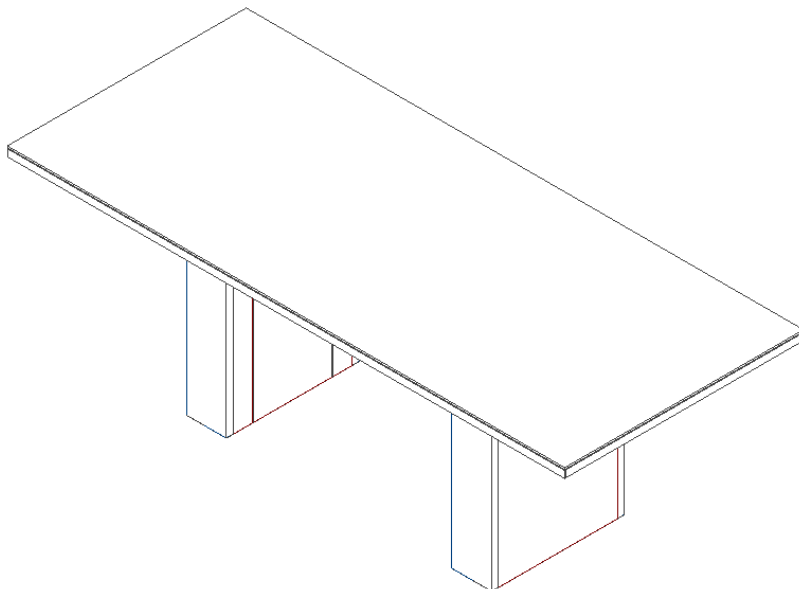
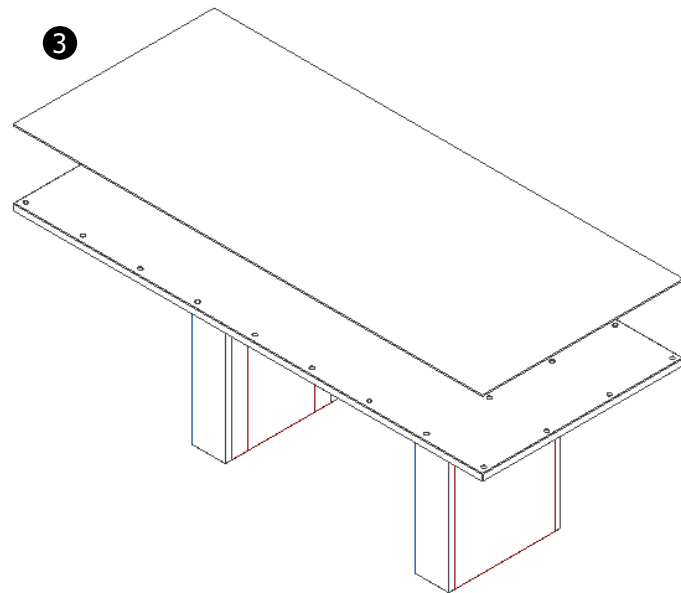
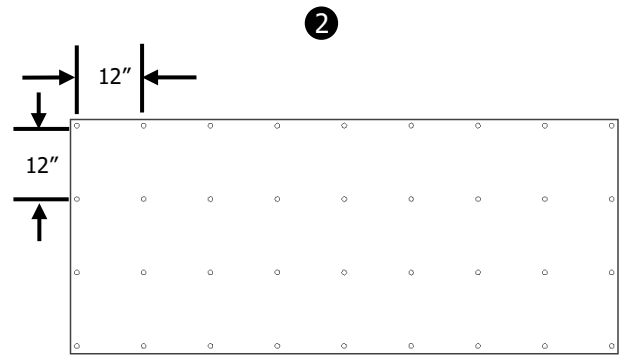
## on Conference Tops

### Attachment & Placement Assembly Instructions

#### Components:

- Conference Top
- Conference Base, Assembled
- Glass Surface
- Clear Plastic Buttons

- 1 Ensure Glass Surface is clean and free of debris. Conference Top should be assembled to Conference Base
- 2 Place Clear Plastic Buttons on Conference Top in grid format. Start at one corner and place a button 1" from each edge. Place additional buttons approx. 12" apart. Ensure there is always a button around the perimeter of the top 1" in from the edge. Top will have black paper on top face.
- 3 Place glass on top of buttons and center upon top. Glass overhang should be 1/8" or less. Ensure PDC cutout is lined up between glass surface and top surface.
- 4 For multi-piece tops, ensure all pieces are pushed together tightly and level.



# Glass Surface Installation | Indiana FURNITURE

## on Credenza

### Attachment & Placement Assembly Instructions

#### Components:

- Credenza
- Glass Surface
- Clear Plastic Buttons

- 1 Ensure Glass Surface is clean and free of debris.
- 2 Place Clear Plastic Buttons on top face of Credenza in grid format. Start at one corner and place a button 1" from each edge. Place additional buttons approx. 12" apart. Ensure there is always a button around the perimeter of the top 1" in from the edge. Credenza will have black paper on top face.
- 3 Place glass on top of buttons and center upon top of credenza. Glass overhang should be 1/8" or less.

