

## Switch Bracket Assembly Instructions

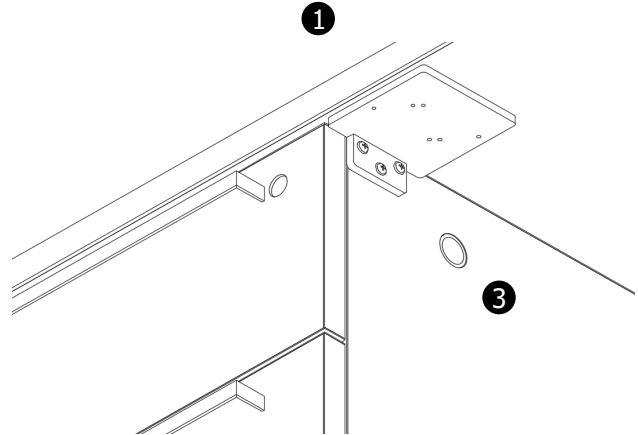
### Components:

- 3 – Screws, #8 x 3/4" PPH
- 2 – Screws, #6-32 x 7/8" PFH Zinc
- 1 – Switch Bracket
- 1 – Control Switch

- 1** Align Mounting Tab of Switch bracket to the front edge of inside end.

Make sure top plate is no higher than flush to top edge of inside end.

Use 3 Screws to attach to end as shown.



- 2** Attach Control switch using 2 #6-32 x 7/8" Screws.

- 3** Run Control Switch cord thru 1" Grommet and to the control box located under the kneespace subtop.

