

Moving Modesty Assembly Instructions

Components:

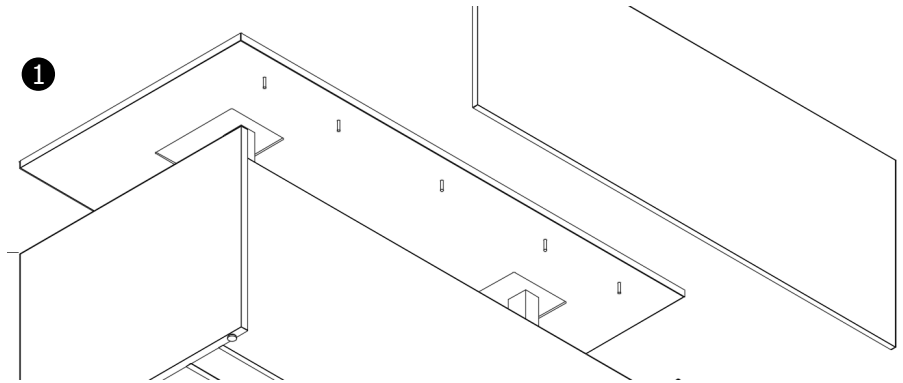
- Moving Modesty Panel
- Canvas or Gesso Desk
- 5 – Post and Cam (quantity varies by size)
- 5 – Cam Covers

1 Drive Posts into holes available in top.

2 Unwrap Modesty and insert Cams into Modesty with arrow pointed to top edge.

Slide Modesty onto Posts and tighten Cams.

Apply Cam Covers



2

