

## Single Column Return Assembly Instructions

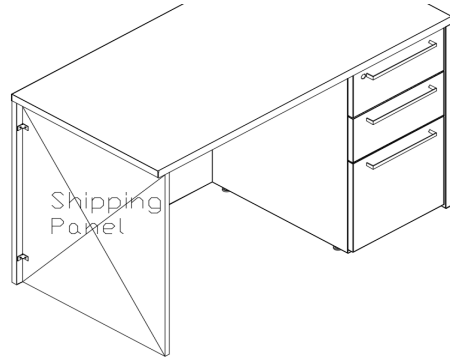
### Components:

- 1 - 2500mm Cable
- 2 - Flat Brackets and Screws
- 2 - Z Brackets and Screws
- 1 - Single Ped Desk
- 1 - Single Column Return
- 1 - Switch Bracket and mounting screws
- 1 - Control Switch and mounting screws
- 2 - Wire Management channels

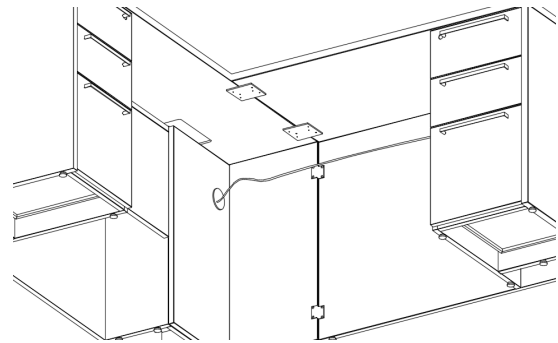
### Applies to:

- Return Unit & Single Pedestal Desk

1



2 3 4



- 1 Remove shipping panel and brackets from unit. This can be discarded.
- 2 Align and attach return back to wing end on desk with two (2) Z brackets or Flat brackets depending on thickness of end panel. Align top panels and attach two (2) flat brackets.
- 3 Locate the 2500mm Cord and feed one end thru the grommet on the inside end of return. Remove file drawer and plug cord into the base of the leg.
- 4 Take opposite end of 2500mm cord and run thru the grommet in false pedestal face of desk and thru grommet in kneespace to plug into the control Box.
- 5 Apply Wire management Trays as desired.

5

