

Waterfall Transaction Kit | Indiana FURNITURE

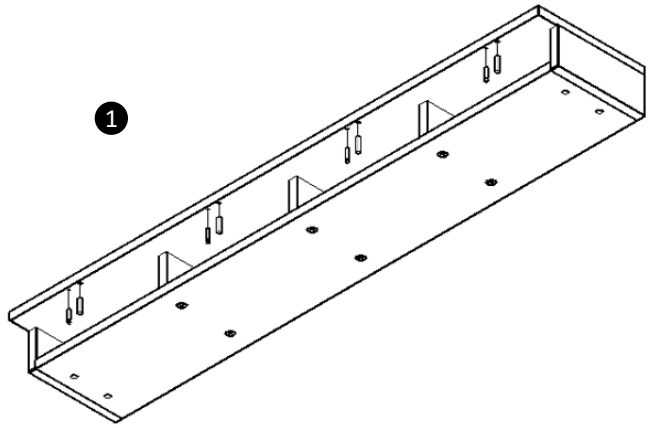
Assembly Instructions

Components:

- Front Panel
- Paper Slots
- Post and Cam (Qty varies by size)
- Cam Covers (Qty varies by size)
- Dowels (Qty 4)
- #8 x 1 5/8" Screws (Qty 6)
- 1/2" Standoff Spacers (Qty 6)

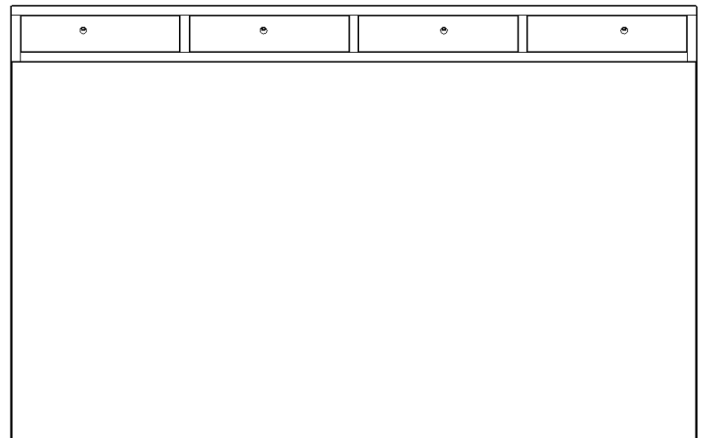
Note: Corner Transaction Kits will also include an End Panel, additional Spacers, and Screws for attachment.

- 1 Insert Dowels and Posts to Paper Slot Assembly.



- 2 Slide Panel onto posts and tighten Cams, access thru paper slot opening, as shown.

2



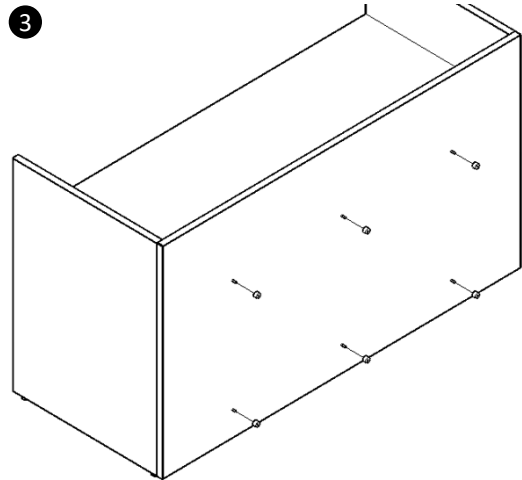
Assembly Instructions (continued)

- 3** There are six locating holes on the inside of the desk unit. Drill 1/8" thru holes as necessary to attach paper slot overlay.

Please note that there are many size options available. Be sure, before drilling, the Paper Slot assembly will cover these thru holes.

Insert screws and slide on Spacers.

For Corner Transaction Kits, you will do the same for the End Panel.



- 4** Center Paper Slot unit and drive 1 5/8" Screws into Panel to hold in place.

