

Canoe Bases | Indiana FURNITURE

Attachment & Placement For 1-Piece Tops Assembly Instructions

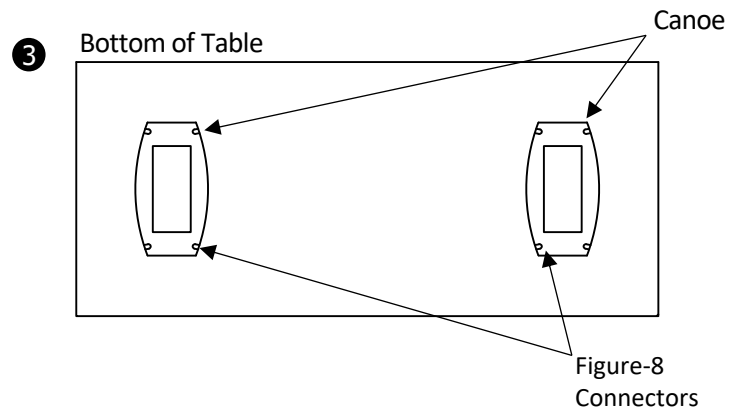
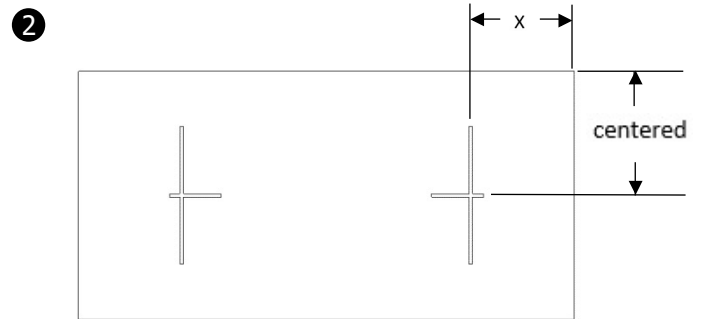
Components:

- Screws, 5/8" PPH – 8 Per Cylinder Base
- Screws, 1 1/2" PFH – 8 Per Cylinder Base
- Joint Clamps – 2 Sets (2 piece top only)
- Adjustable Glides – 4 Per Cylinder Base
- Figure-8 Connectors – 4 Per Base

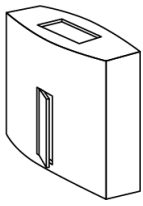
- 1 Insert adjustable glides into base bottom.
- 2 Measure and mark over hang on table bottom. Follow chart for base inset dimension.

Top Size	Base Inset
36"x72"	X=15"
42"x96"	X=19"

- 3 Attach Figure-8 connectors to base with screws
- 4 Put bases in place. Attach bases to bottom of table with 1 1/2" screws.



Side view of Table after Attachment



Canoe Bases | Indiana FURNITURE

Attachment & Placement For 2-Piece Tops

Assembly Instructions

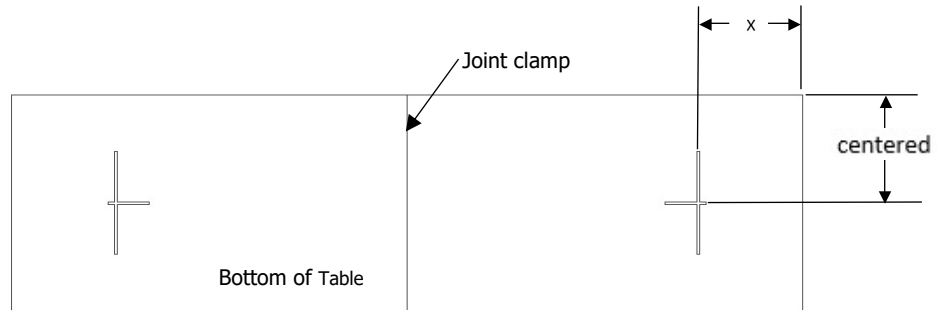
Components:

- Screws, 5/8" PPH – 8 Per Cylinder Base
- Screws, 1 1/2" PFH – 8 Per Cylinder Base
- Joint Clamps – 2 Sets (2 piece top only)
- Adjustable Glides – 4 Per Cylinder Base
- Figure 8 Connectors – 4 Per Base

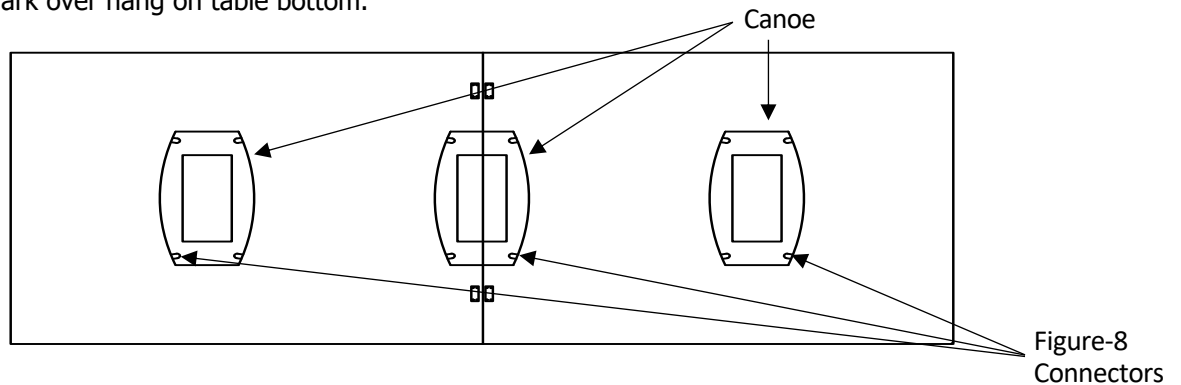
- 1 Insert adjustable glides into base bottom.
- 2 Attach connector brackets to table bottom with 5/8" screws. Level the top and then bring joint together. Secure all adjusting screws. The small set screws establish the final leveling adjustment.

Follow chart for base inset dimension.

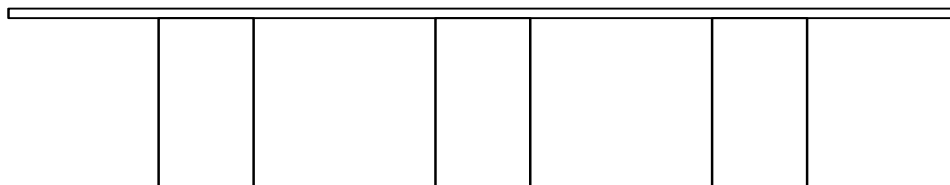
Top Size	Base Inset
48"x120"	X=19"
48"x144"	X=19"
48"x168"	X=19"
48"x192"	X=19"



- 3 Measure and mark over hang on table bottom.



- 4 Attach Figure-8 connectors to bases with screws. Put bases in place. Attach bases to bottom of table with 1 1/2" screws.



Side view of table after attachment