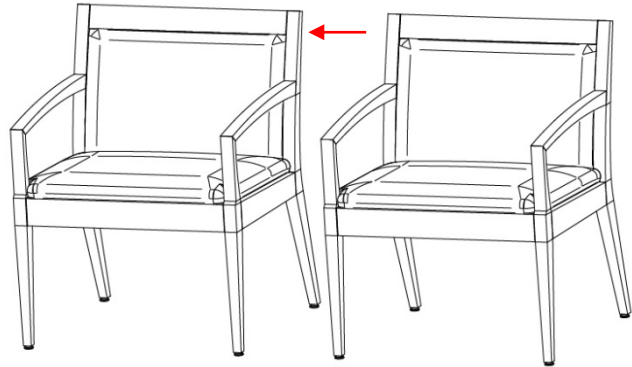


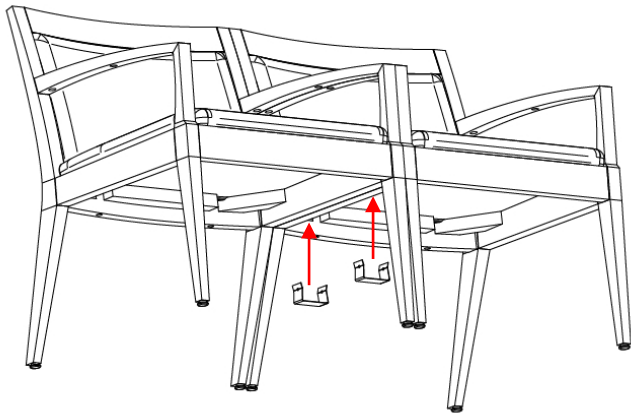
Gleem+ Ganging Bracket | Indiana FURNITURE

Assembly Instructions

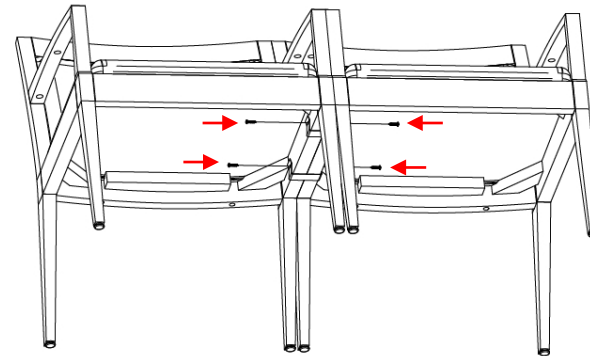
- 1** Push 2 (two) Gleem+ chairs together.



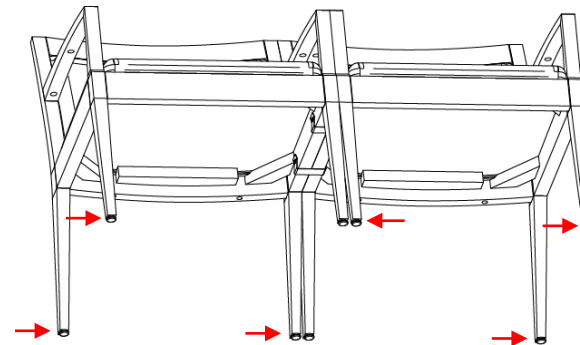
- 2** Install 2 (two) 2209-00395H3 – U Bracket, from below along the 2 center rails.

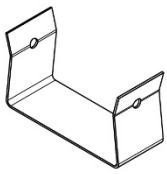


- 3** Screw brackets in place using 4 (four) 2202-01078 – #10 x 7/8 Pan Head Screw. 2 (two) screws per bracket. NOTE: Align front of legs and bottom of the seat rail before installing screws.



- 4** Adjust levelers as needed.



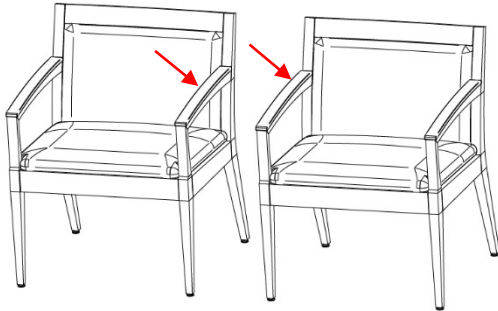


Gleem+ Ganging Bracket | Indiana FURNITURE

Assembly Instructions

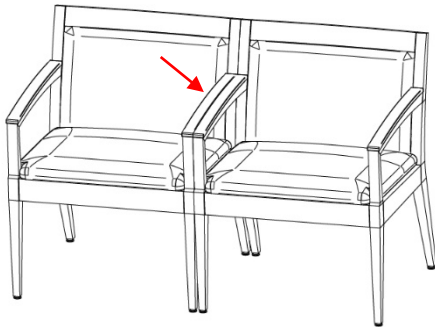
Ganging with Arm Cap

- 1 Loosen the screws holding the Arm Caps in place on the ganging side of the chair.



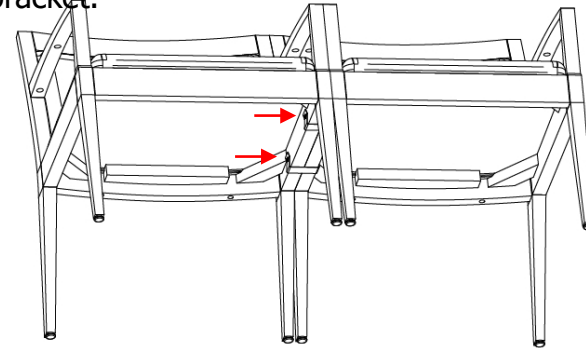
- 2 Attach ganging brackets as shown on Sheet 1 using steps 2 and 3.

- 3 After chairs are ganged together, tighten the screws holding the Arm Caps.

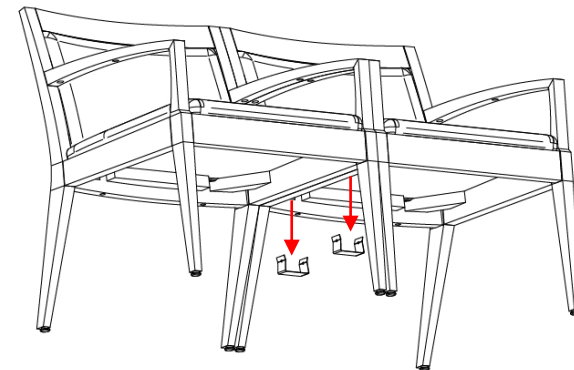


Disassembly

- 1 Unscrew 4 (four) 2202-01078 – #10 x 7/8 Pan Head Screw. 2 (two) screws per bracket.



- 2 Remove 2 (two) 2209-00395H3 – U Bracket.



- 3 Separate Chairs.