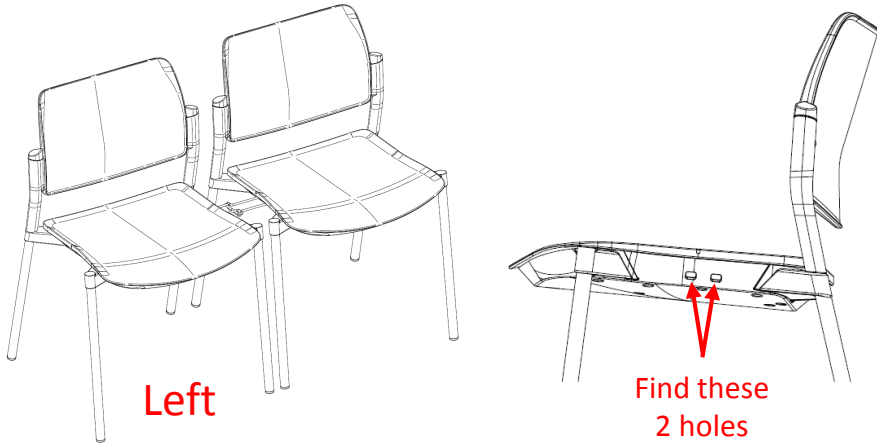


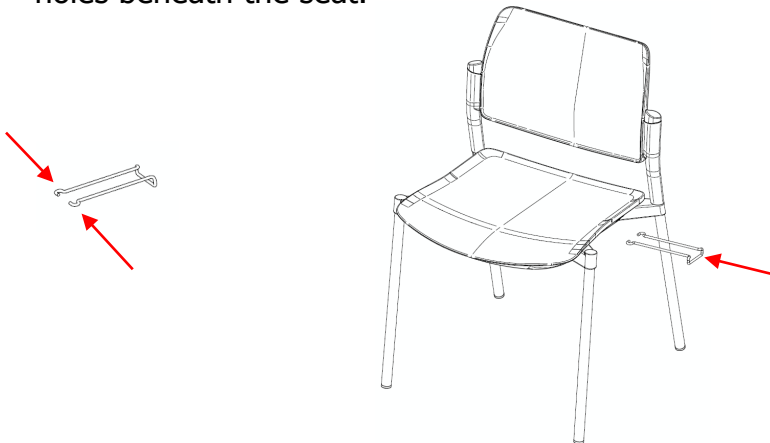
Dab Ganging Bracket | Indiana FURNITURE

Assembly Instructions

- 1** Starting with the left seat to be ganged, find the 2 holes beneath the seat on the right side.



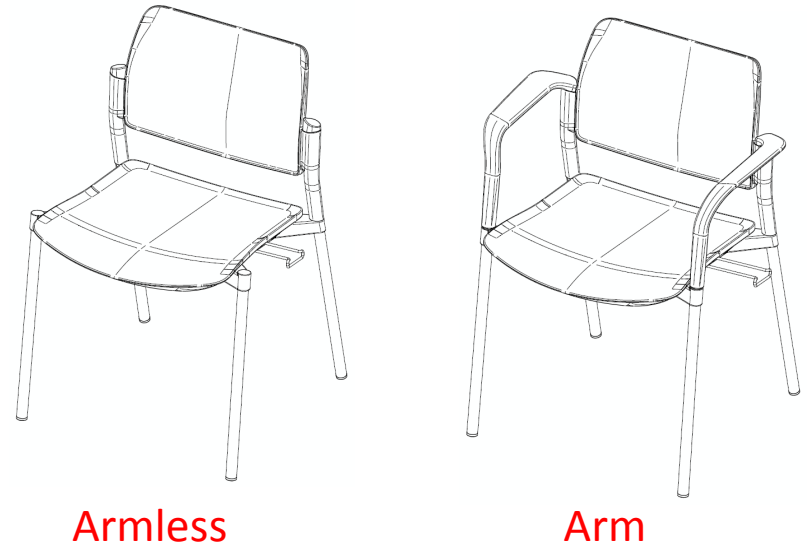
Squeeze the prongs on the male side of the 910-000GB – ganging bracket and insert into the 2 holes beneath the seat.

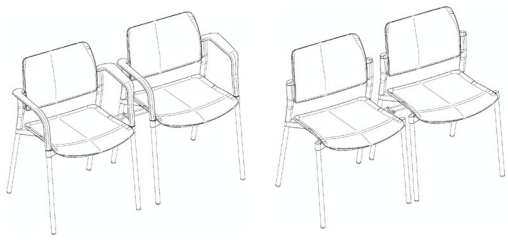


- 2** Continue to insert the ganging bracket until seated.

Armless – Insert until the ganging bracket has clicked once, compress the prongs again and continue inserting until the second click.

Arm – Insert until the ganging bracket has clicked once.

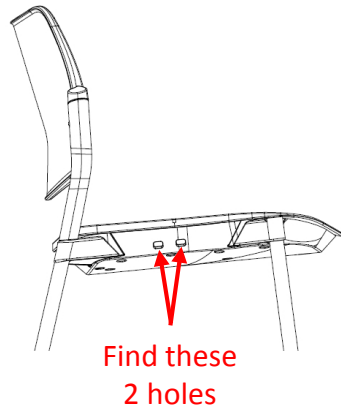
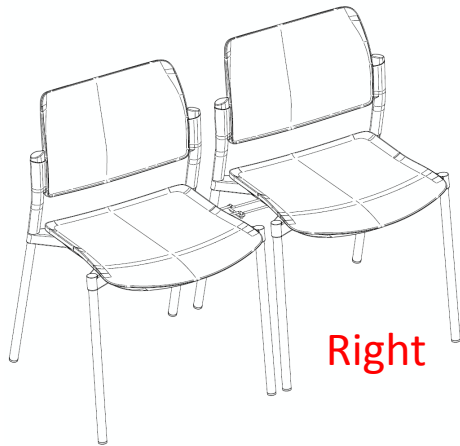




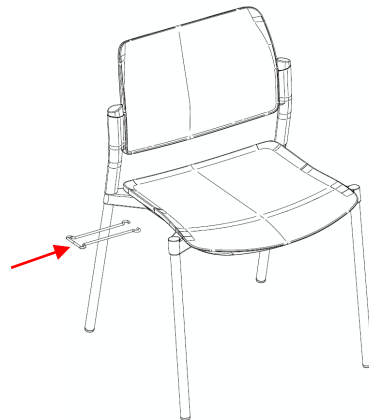
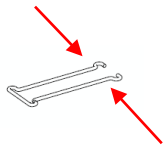
Dab Ganging Brackets | Indiana FURNITURE

Assembly Instructions

- 3** Continue to the right seat to be ganged, find the 2 holes beneath the seat on the left side.



Squeeze the prongs on the female side of the 910-000GB – ganging bracket and insert into the 2 holes beneath the seat.

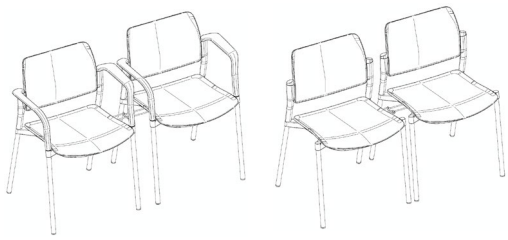


- 4** Continue to insert the ganging bracket until seated.

Armless – Insert until the ganging bracket has clicked once, compress the prongs again and continue inserting until the second click.

Arm – Insert until the ganging bracket has clicked once.

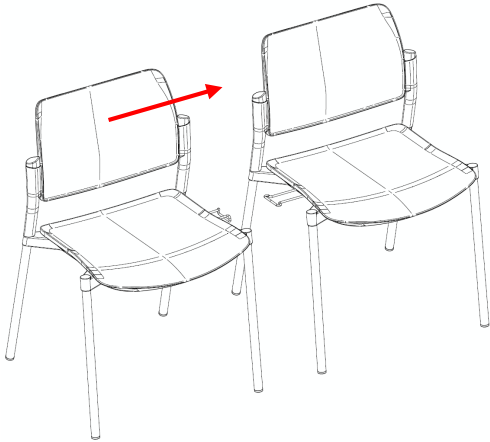




Dab Ganging Brackets | Indiana FURNITURE

Assembly Instructions

- 5** Moving the left chair towards the right, lift the male side of the ganging bracket up and slot it into the female side of the ganging bracket.

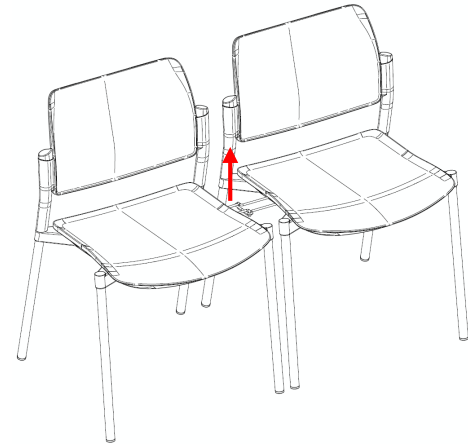


The chairs are now ganged together.



Disassembly

- 1** Lift up the male side of the ganging bracket.



- 2** Separate chairs.

