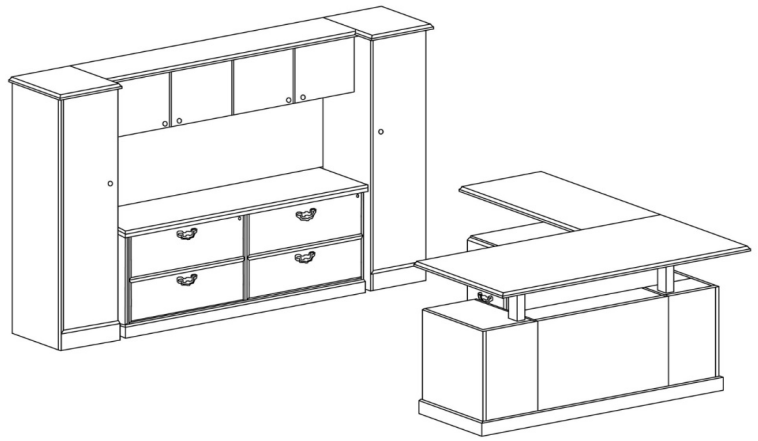


# Arlington

## Typical 29-11



Model #	Qty	Description
---------	-----	-------------

29-3672RPSTS	1	Height Adjustable Single Ped Desk, Right, Wilmington Base Molding
29-2448LF2STS3	1	Height Adjustable Return, Left, Wilmington Base Molding
29-2072DL	1	Credenza with Double Lateral File, Wilmington Base Molding
29-1572WD	1	Wall Mount Hutch
29-1870WL	1	Wardrobe/Storage Cabinet, Left
29-1870WR	1	Wardrobe/Storage Cabinet, Right