

Indiana Furniture

BIFMA Level, Section 6.2 - Product Design

BIFMA Level, Section 6.2.2 - Design for Durability, Repair, Retrofit, Remanufacturing, Recycling

BIFMA Level, Section 6.2.3 – Extended Product Responsibility

Design for Durability, Repair, Retrofit, Remanufacturing, Recycling

Indiana Furniture provides their customers environmentally friendly alternatives for disposing of furniture once it has met its useful life. We encourage and support every effort to recycle components within the product series and provide disassembly instructions which indicate recycling options for product components. The following is a guideline for typical materials that are used on Indiana Furniture’s legacy product lines which can be recycled at local centers within your area:

<u>Material Type</u>	<u>Furniture Component</u>	<u>End-of-Life Opportunity</u>
Steel	Fasteners, Hardware, Controls	Metal Recycling
Aluminum	Table Components	Metal Recycling
Plastic	Hardware, Controls	Plastic Recycling
Paper	Product Instructions	Paper Recycling
Glass	Glass Hutch Doors	Glass Recycling
Cardboard	Corrugated Cartoning	Cardboard Recycling

Indiana Furniture also designs case good and seating products with components that can be remanufactured and/ or the product series is modular and reconfigurable. These concepts allow our customers to replace components in the field or reconfigure the furniture to an alternative office set-up.

The product disassembly instructions are categorized by similar construction techniques. These instructions offer a guideline for product disassembly and identify recyclable components. The product disassembly can be accomplished with the use of standard tools (screwdriver and hammer), and require an average disassembly time of one hour per unit. Reference the product disassembly drawings for additional details.

Extended Product Responsibility

Indiana Furniture also recognizes that there are additional opportunities for a product after it reaches the useful life for some customers and may be a greater value for other organizations. We strongly encourage our customers to donate our legacy product lines to local charity programs, refinish or refurbish to extend the useful life of the product, or utilize our Extended Stewardship Program to achieve the greatest value of the product. Please contact an Indiana Furniture customer service representative for additional information on the Extended Stewardship Program.

Indiana Furniture

BIFMA Level, Section 6.2 Product Design

A. 6.2.2 - Design for Durability, Repair, Retrofit, Remanufacturing, Recycling

Overview

Indiana Furniture designs casegood and seating products with components that can be remanufactured and/ or the product series is modular and reconfigurable. These concepts allow our customers to replace components in the field or reconfigure the furniture to an alternative office set-up.

Indiana Furniture provides disassembly instructions for our product series. These instructions offer a guideline for product disassembly and identify recyclable components. The product disassembly can be accomplished with the use of standard tools (screwdriver and hammer), and require an average disassembly time of one hour per unit. Reference the product disassembly drawings for additional details.

Indiana Furniture also provides work instructions for the reconfigurable and modular product that are available in product brochures.

Product Disassembly Categories

The disassembly instructions are categorized by similar product construction techniques. Locate the casegood and/or seating series with the product grouping and reference the product grouping in the disassembly instructions. For additional information, contact our customer service department at 1-800-422-5727.

Product Grouping

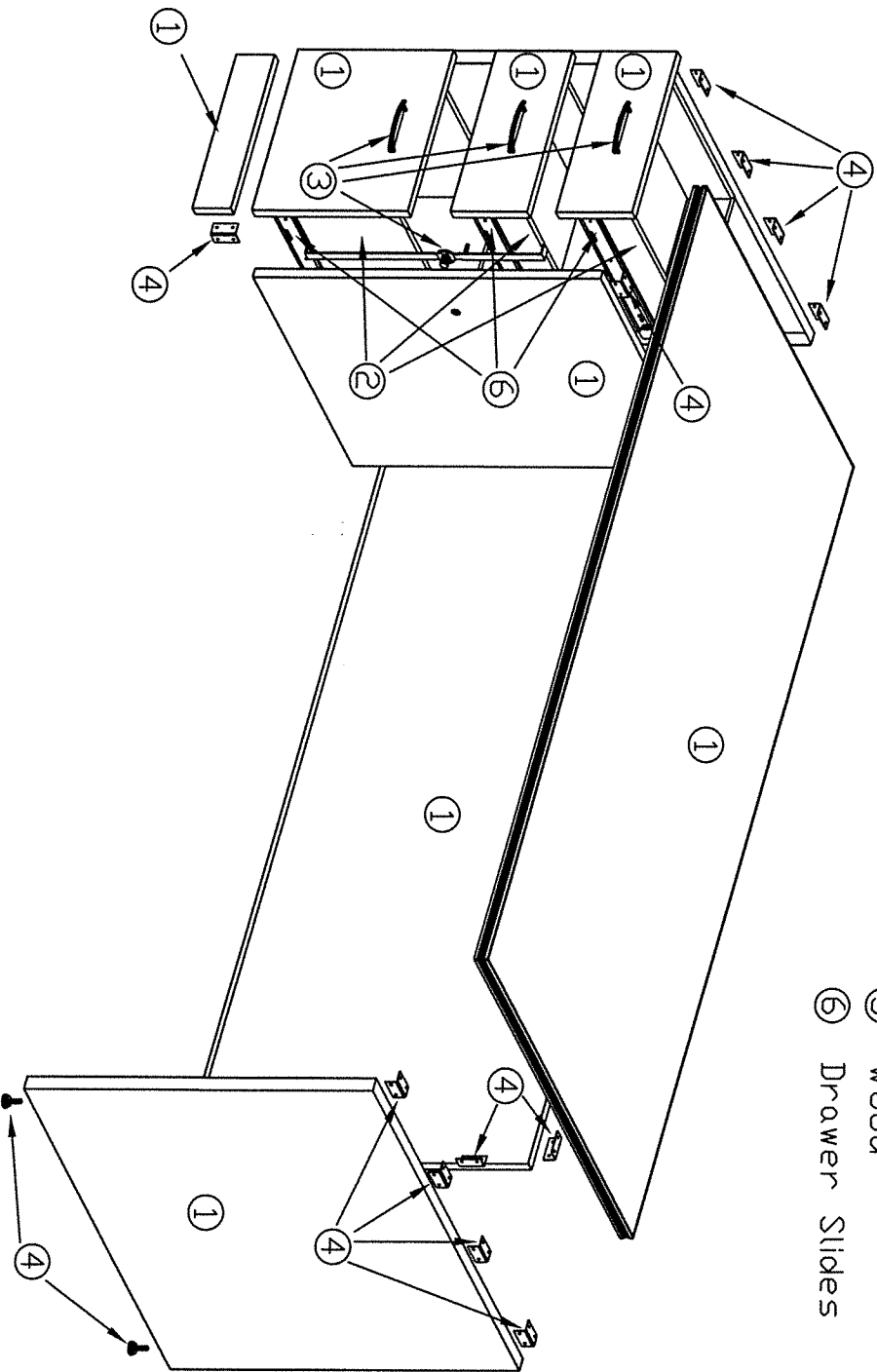
Product Series

Desk 1	Encompass, Gesso, Iconic
Desk 2	Derive, Canvas
Desk 3	Promise
Desk 4	Revolutions, Centennial
Desk 5	Elevate
Desk 6	Resilience
Desk 7	Madera
Desk 8	Allegiance, Phoenix
Desk 9	Wilmington, Jefferson, Richland, Arlington
Desk 10	Cameo, Aura
Credenza 1	Encompass, Gesso, Iconic
Credenza 2	Derive, Canvas
Credenza 3	Promise
Credenza 4	Revolutions, Centennial
Credenza 5	Elevate
Credenza 6	Resilience
Credenza 7	Madera
Credenza 8	Allegiance, Phoenix
Credenza 9	Wilmington, Jefferson, Richland, Arlington
Credenza 10	Cameo, Aura
Credenza 11	One 10, Cameo, Aura, Etch
Hutch 1	Encompass, Gesso, Allegiance, Wilmington, Jefferson, Richland, Arlington, Phoenix, Iconic
Hutch 2	Derive, Canvas
Hutch 3	Promise, Centennial, Elevate
Hutch 4	Revolutions
Hutch 5	Resilience
Hutch 6	Madera
Chair 1 (Guest)	Vive, Inspiration, Brea, Portia, Karlin, Alita, Klarete, Striations, Elara, Larson, Reminisce, Montara, Kennerley, Amery, Halsted, Breman, Cirka, Benton, Charm, Cicero, Delphi, Gleem, Thift Bowtie, Britta, Edge
Chair 2 (Swivel)	Energi, Syntric, Inspiration, Brea, Karlin, Avia, Elation, Pavia, Larson, Reminisce, Montara, Kennerley, Amery, Breman, Marquee, Clutch, Oscar, Joy, Eden, Rockstar, Edge
Chair 3 (Lounge)	Carreta, Fifteen, Edge
Chair 4 (Guest Metal)	Felix, Marquee, Toby, Edge
Chair 5 (Lounge)	Triple Play, Cush
Chair 6 (Lounge)	Isla, Bliss, Chat, Zolla, Bailey, Plush, Kickstart, Edge
Table 1	Topsy Turvy, Jot
Table 2	One 10, Cameo, Aura, Etch
Table 3	Secret
Table 4	Tri-One
Relocatable Walls	Square One

BIFMA Materials Schedule

Desk

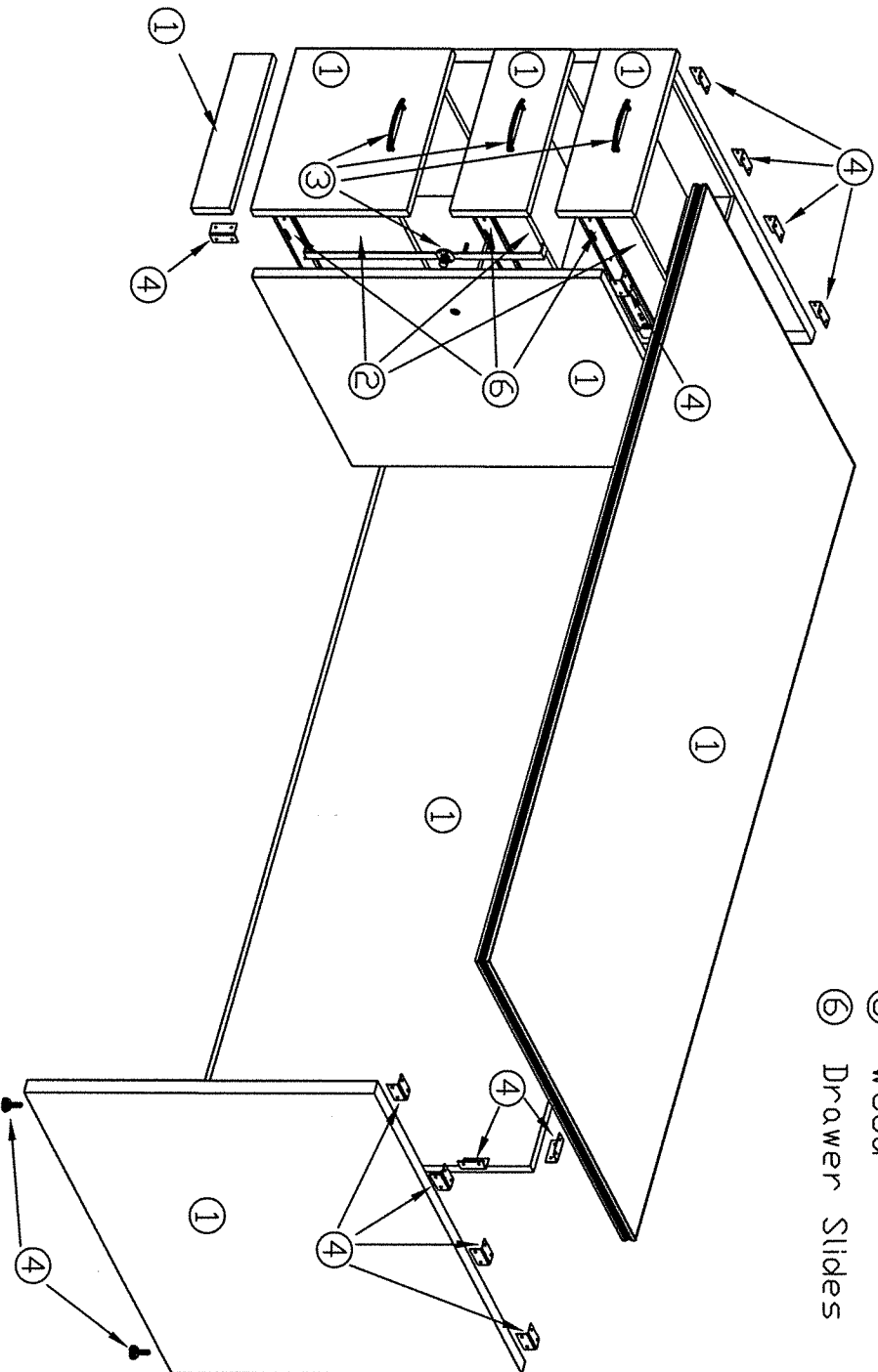
- ① Wood - Veneer Particle Board
- ② Vinyl Wrapped Drawer Box
- ③ Steel - Hardware
- ④ Steel - Fasteners
- ⑤ Wood
- ⑥ Drawer Slides



BIFMA Materials Schedule

Desk

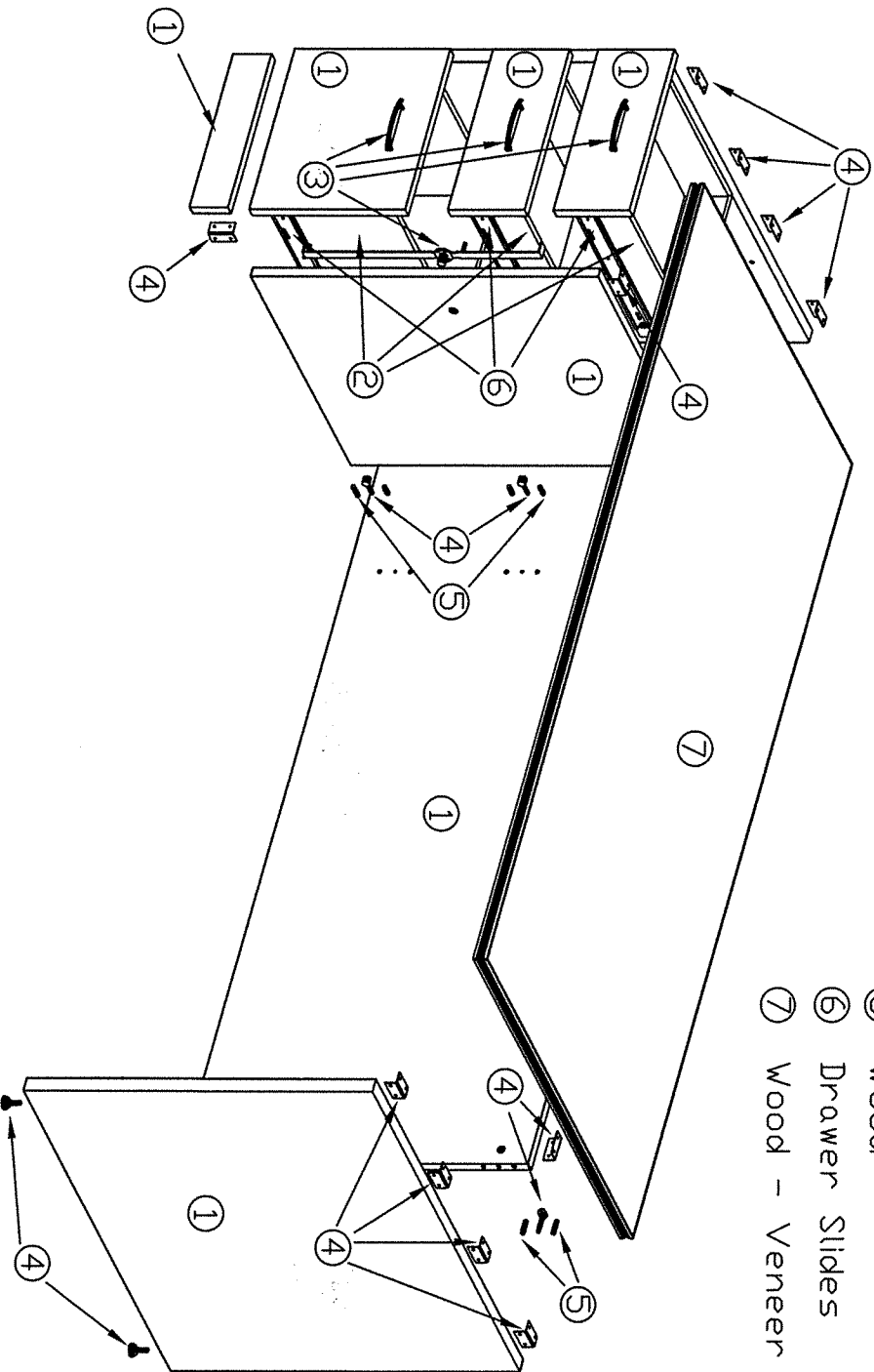
- ① Wood - Melamine Particle Board
- ② Vinyl Wrapped Drawer Box
- ③ Steel - Hardware
- ④ Steel - Fasteners
- ⑤ Wood
- ⑥ Drawer Slides



BIFMA Materials Schedule

Desk

- ① Wood - Veneer Particle Board
- ② Vinyl Wrapped Drawer Box
- ③ Steel - Hardware
- ④ Steel - Fasteners
- ⑤ Wood
- ⑥ Drawer Slides
- ⑦ Wood - Veneer MDF



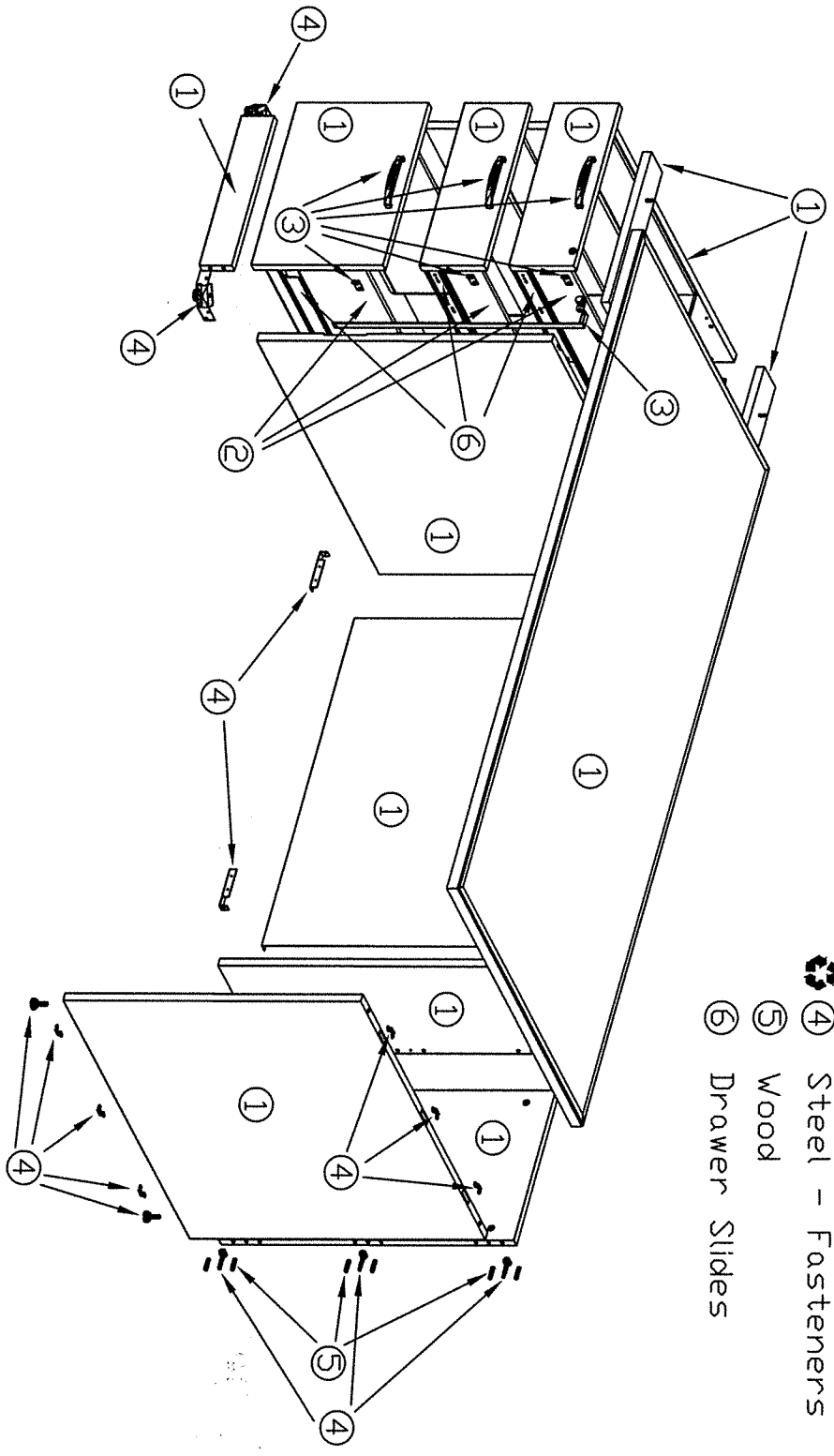
Indiana
FURNITURE

Product Group: Desk 3

BIFMA Materials Schedule

Desk

- ① Wood - Veneer Particle Board
- ② Wood - Birch Plywood Drawer Board
- ③ Steel - Hardware
- ④ Steel - Fasteners
- ⑤ Wood
- ⑥ Drawer Slides



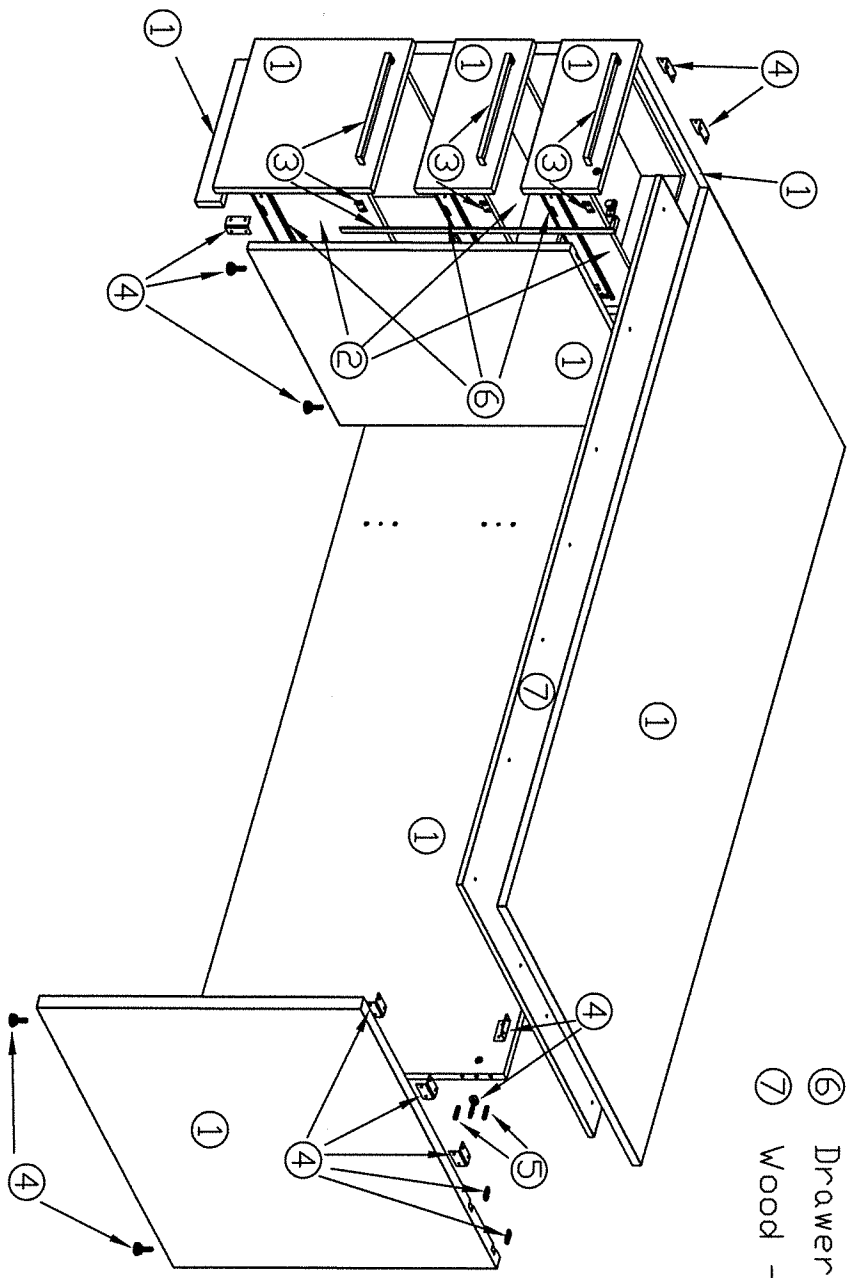
Indiana
FURNITURE

Product Group: Desk 4

BIFMA Materials Schedule

Desk

- ① Wood - Veneer Particle Board
- ② Vinyl Wrapped Drawer Box
- ③ Steel - Hardware
- ④ Steel - Fasteners
- ⑤ Wood
- ⑥ Drawer Slides
- ⑦ Wood - Melamine Particle Board



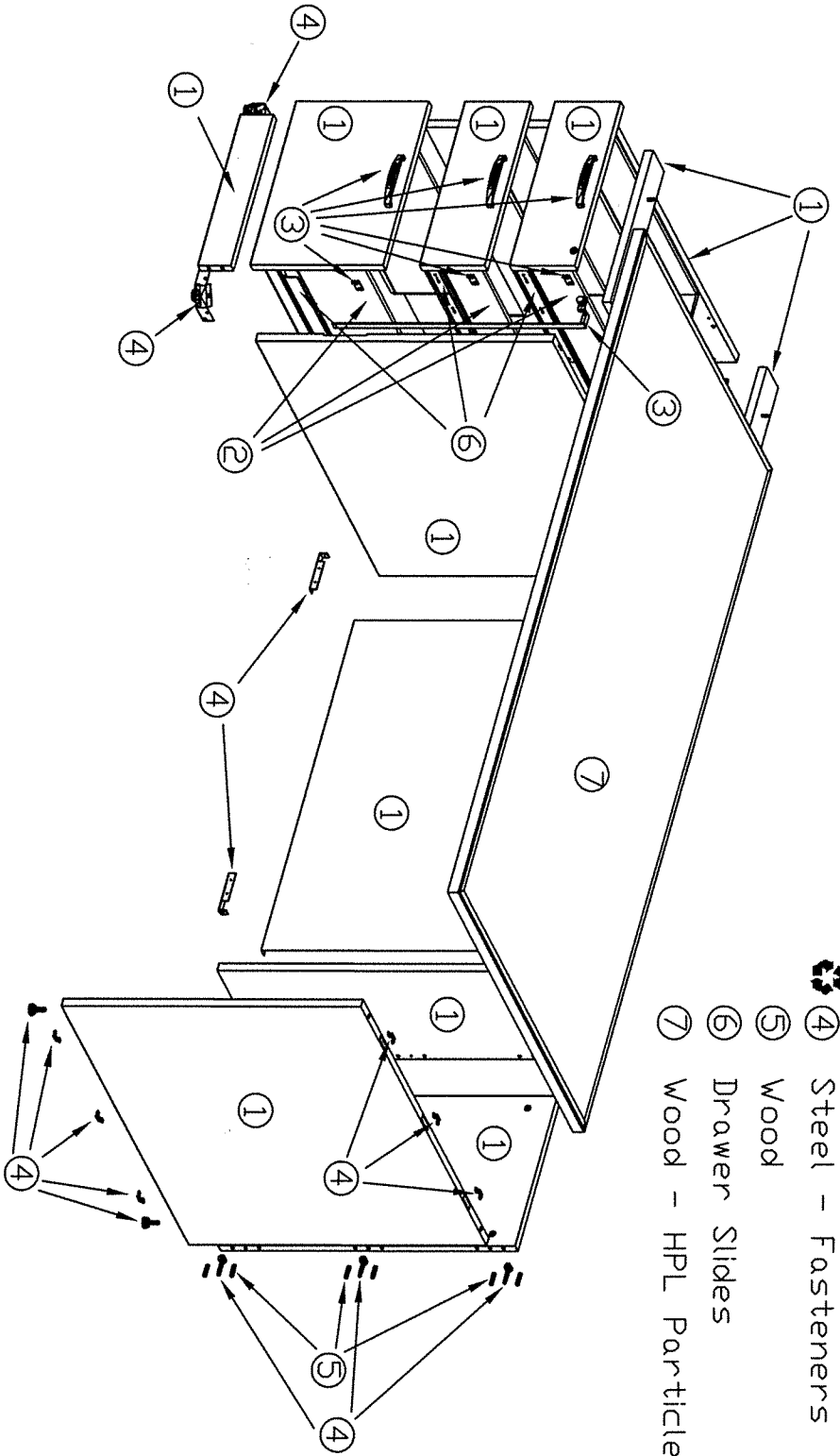
Indiana
FURNITURE

Product Group: Desk 5

BIFMA Materials Schedule

Desk

- ① Wood - Melamine Particle Board
- ② Vinyl Wrapped Drawer Box
- ③ Steel - Hardware
- ④ Steel - Fasteners
- ⑤ Wood
- ⑥ Drawer Slides
- ⑦ Wood - HPL Particle Board



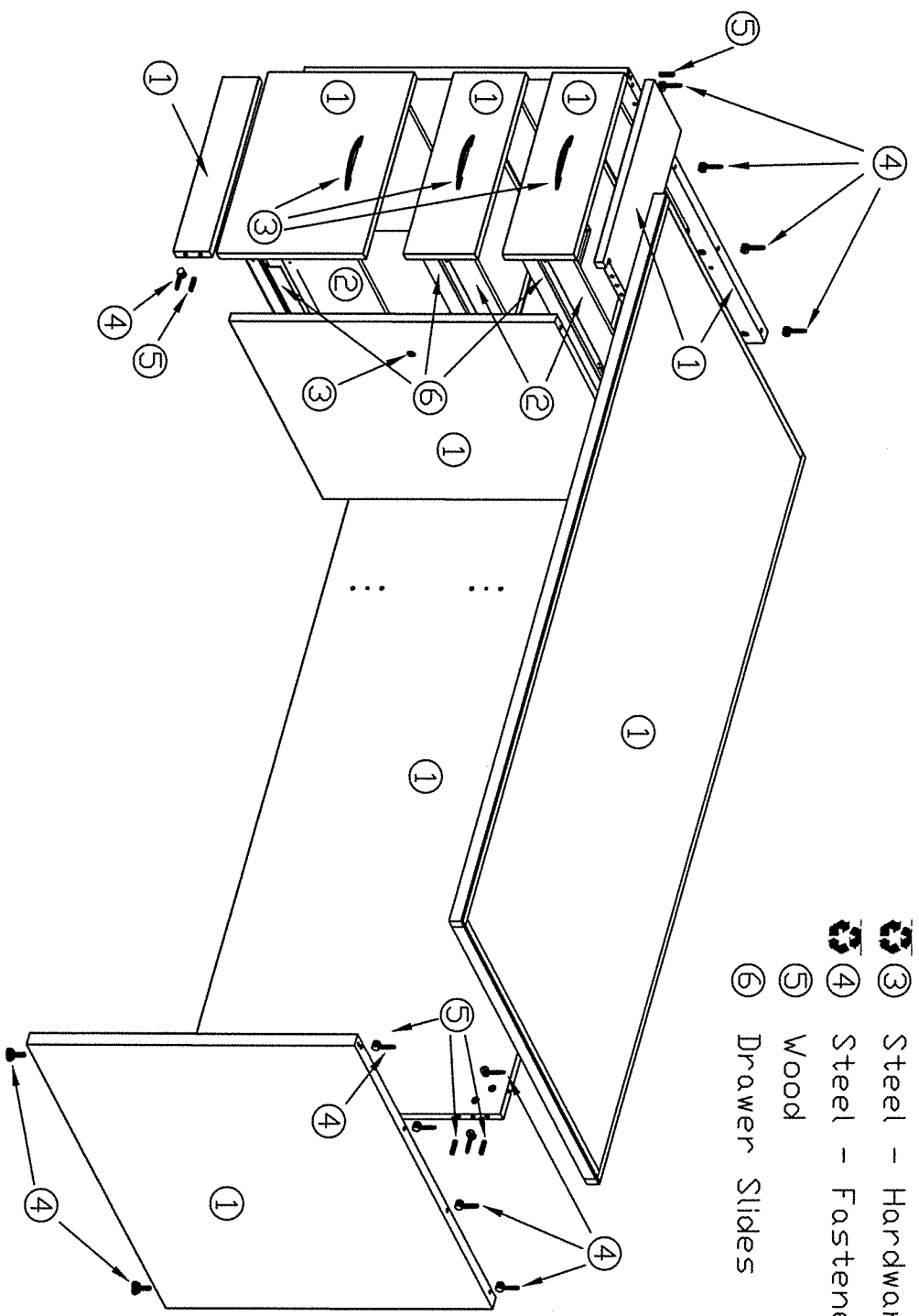
Indiana
FURNITURE

Product Group: Desk 6

BIFMA Materials Schedule

Desk

- ① Wood - Veneer Particle Board
- ② Wood - Birch Plywood Drawer Board
- ③ Steel - Hardware
- ④ Steel - Fasteners
- ⑤ Wood
- ⑥ Drawer Slides



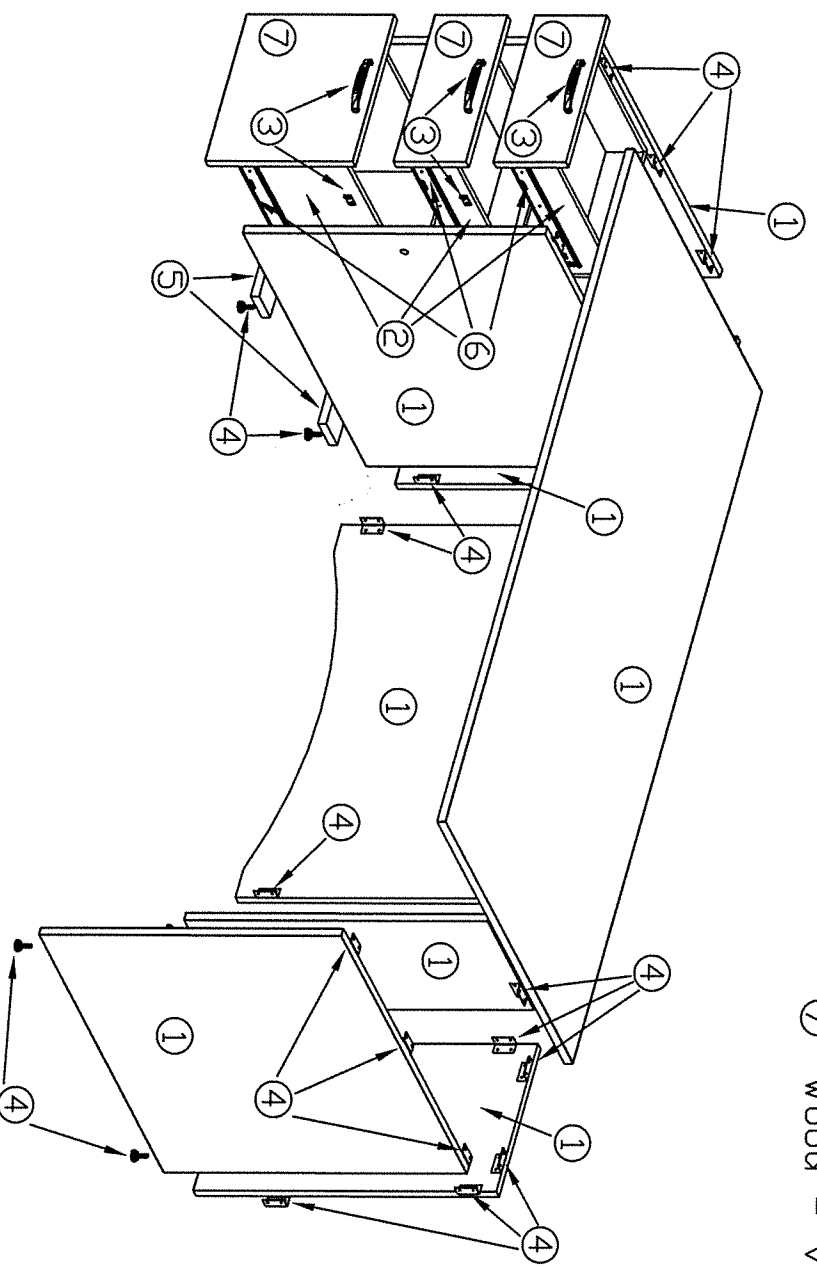
Indiana
FURNITURE

Product Group: Desk 7

BIFMA Materials Schedule

Desk

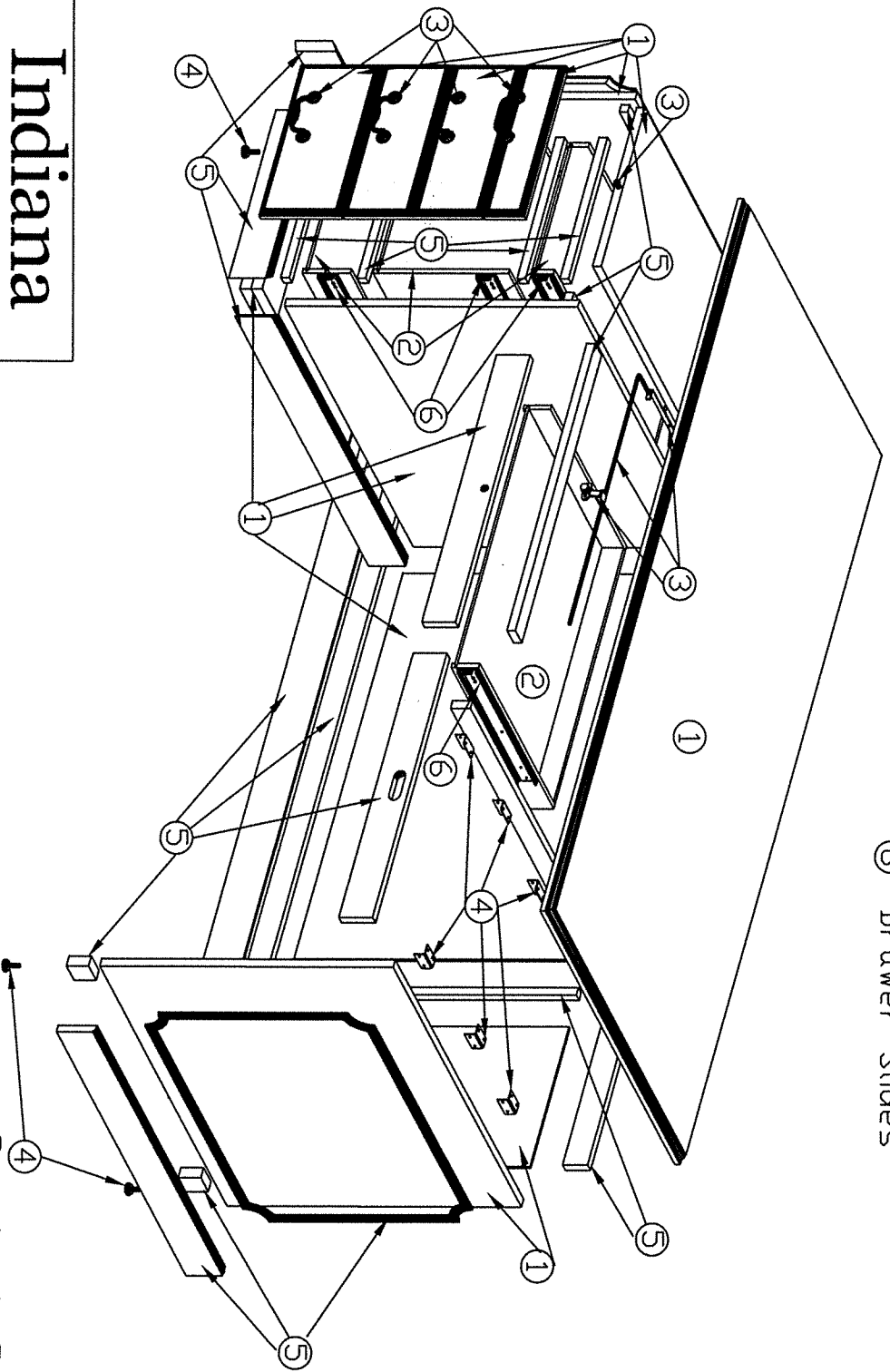
- ① Wood - Veneer Particle Board
- ② Vinyl Wrapped Drawer Box
- ③ Steel - Hardware
- ④ Steel - Fasteners
- ⑤ Wood - Medium Density Fiberboa
- ⑥ Drawer Slides
- ⑦ Wood - Veneer MDF Board



BIFMA Materials Schedule

Desk

- ① Wood - Veneer Particle Board
- ② Wood - Birch Plywood Drawer Board
- ③ Steel - Hardware
- ④ Steel - Fasteners
- ⑤ Wood
- ⑥ Drawer Slides

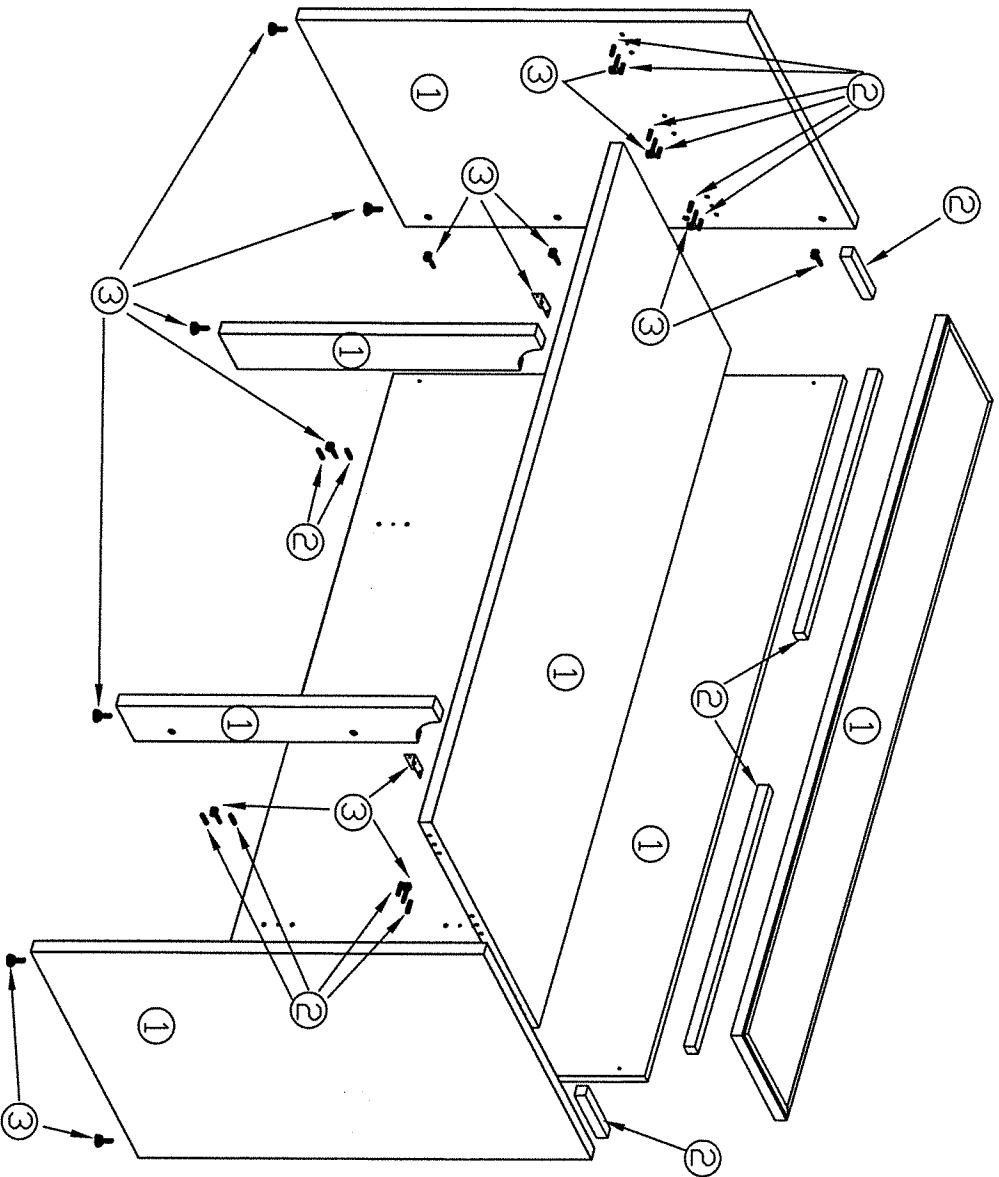


Indiana
FURNITURE

BIFMA Materials Schedule

Desk

- ① Wood - Veneer Particle Board
- ② Wood
- ♻️ ③ Steel - Fasteners



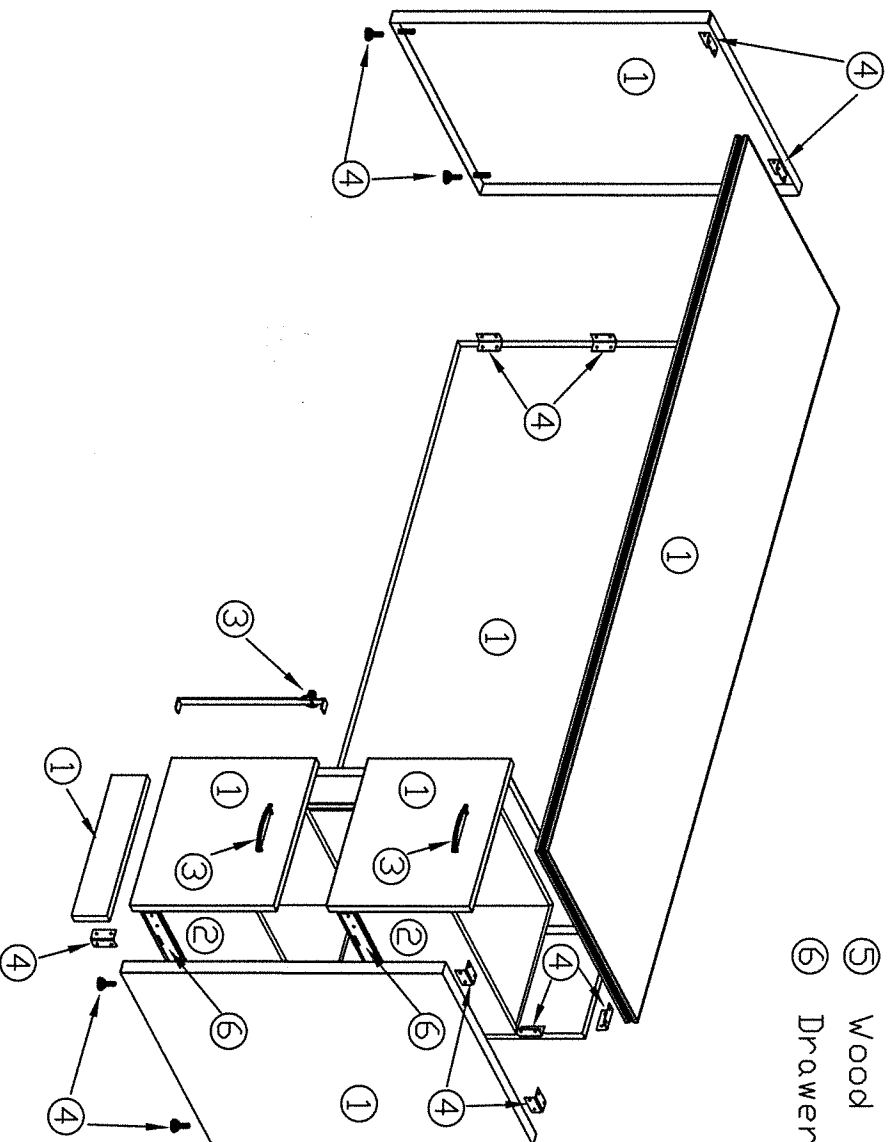
Indiana
FURNITURE

Product Group: Desk 10

BIFMA Materials Schedule

Credenza

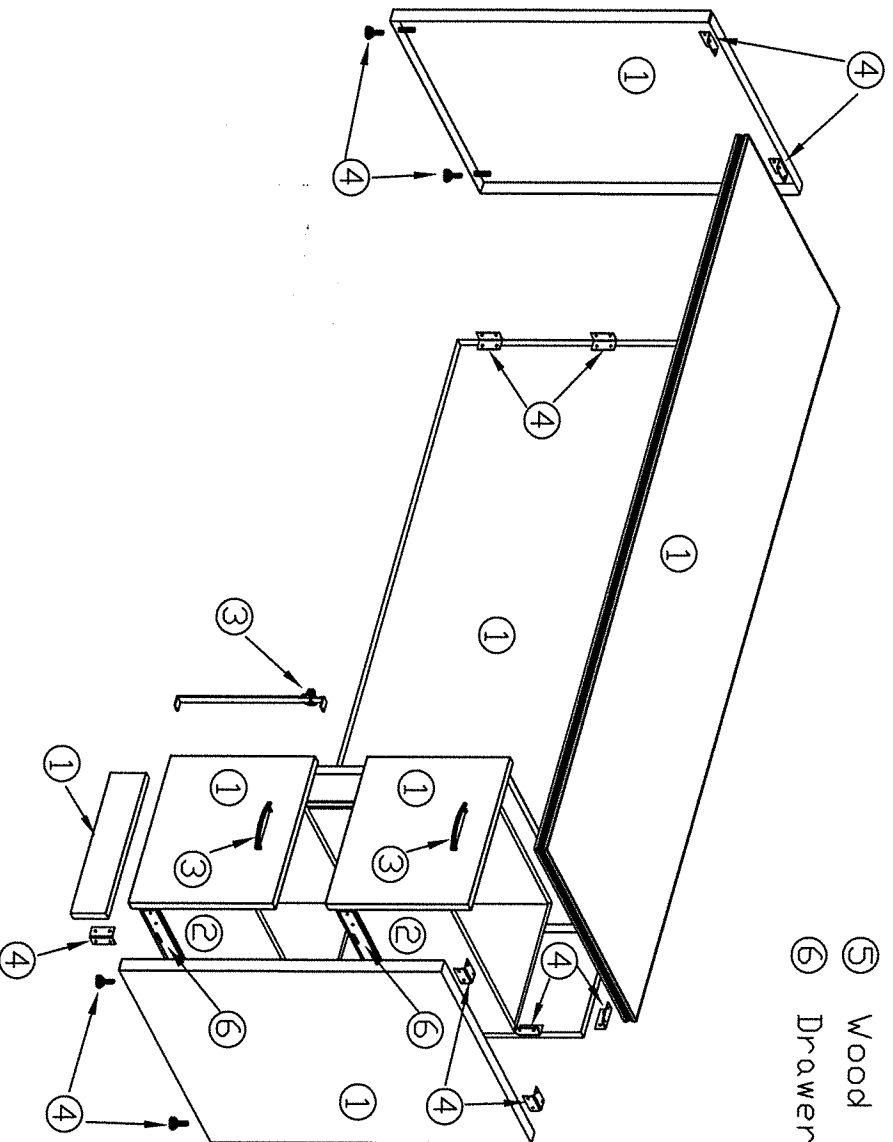
- ① Wood - Veneer Particle Board
- ② Vinyl Wrapped Drawer Box
- ③ Steel - Hardware
- ④ Steel - Fasteners
- ⑤ Wood
- ⑥ Drawer Slides



BIFMA Materials Schedule

Credenza

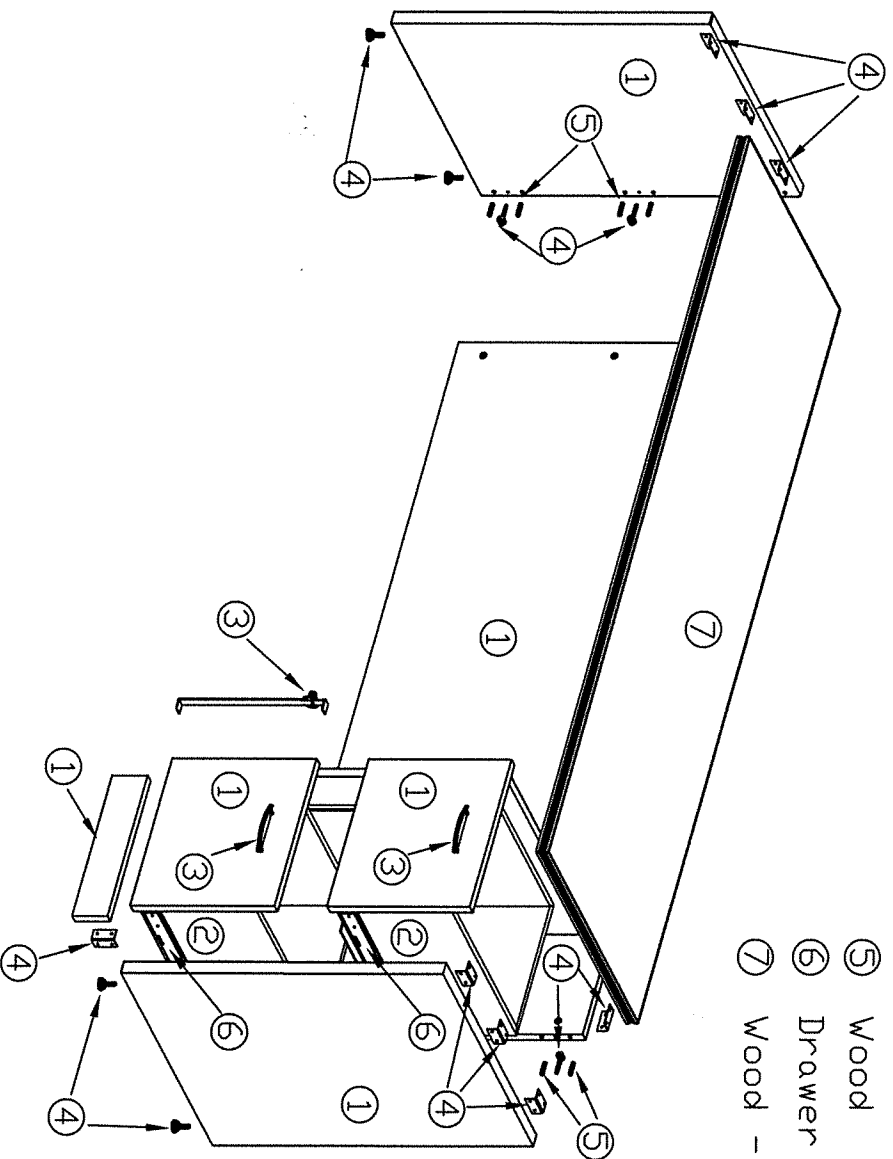
- ① Wood - Melamine Particle Board
- ② Vinyl Wrapped Drawer Box
- ③ Steel - Hardware
- ♻️④ Steel - Fasteners
- ⑤ Wood
- ⑥ Drawer Slides



BIFMA Materials Schedule

Credenza

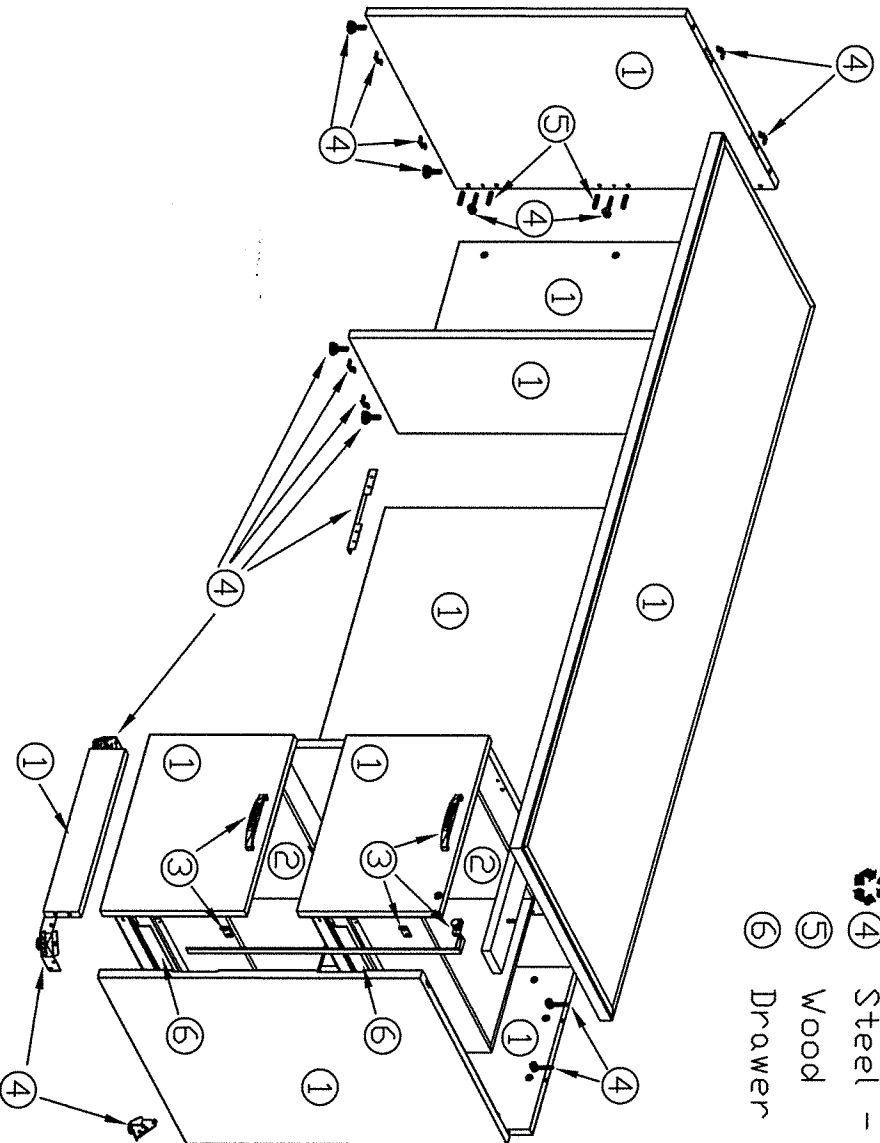
- ① Wood - Veneer Particle Board
- ② Vinyl Wrapped Drawer Box
- ③ Steel - Hardware
- ④ Steel - Fasteners
- ⑤ Wood
- ⑥ Drawer Slides
- ⑦ Wood - Veneer MDF



BIFMA Materials Schedule

Credenza

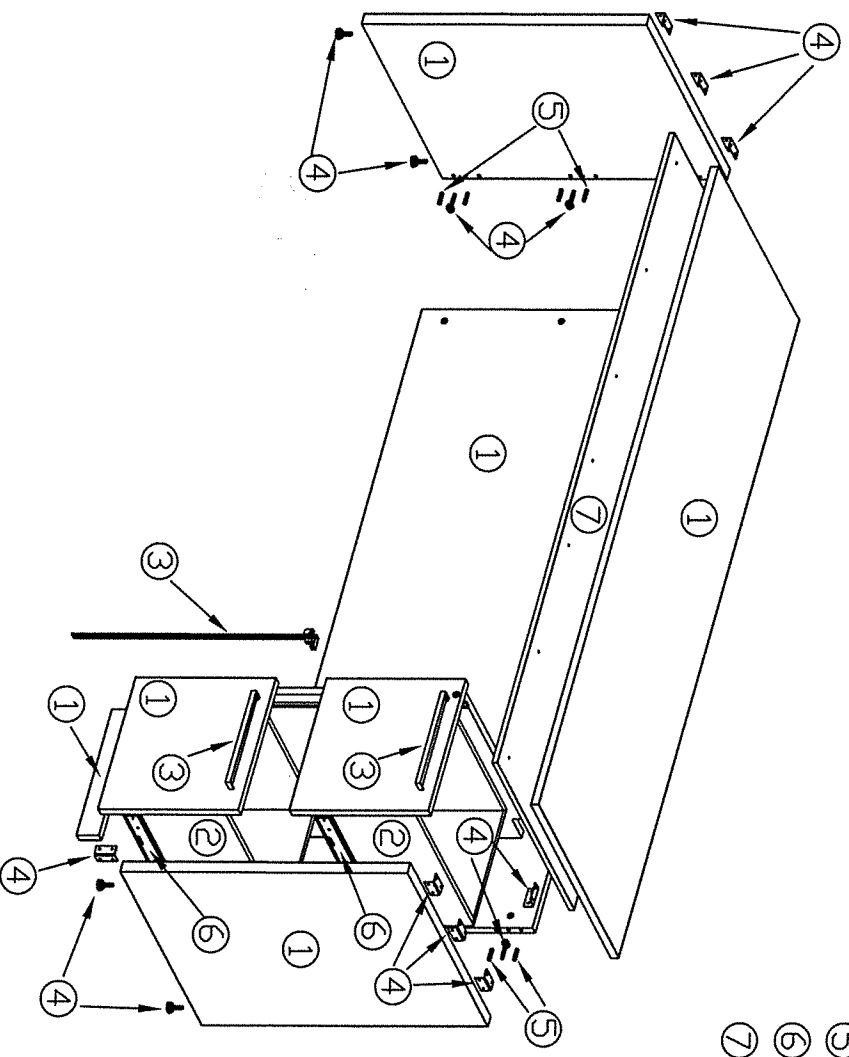
- ① Wood - Veneer Particle Board
- ② Wood - Birch Plywood Drawer Board
- ③ Steel - Hardware
- ④ Steel - Fasteners
- ⑤ Wood
- ⑥ Drawer Slides



BIFMA Materials Schedule

Credenza

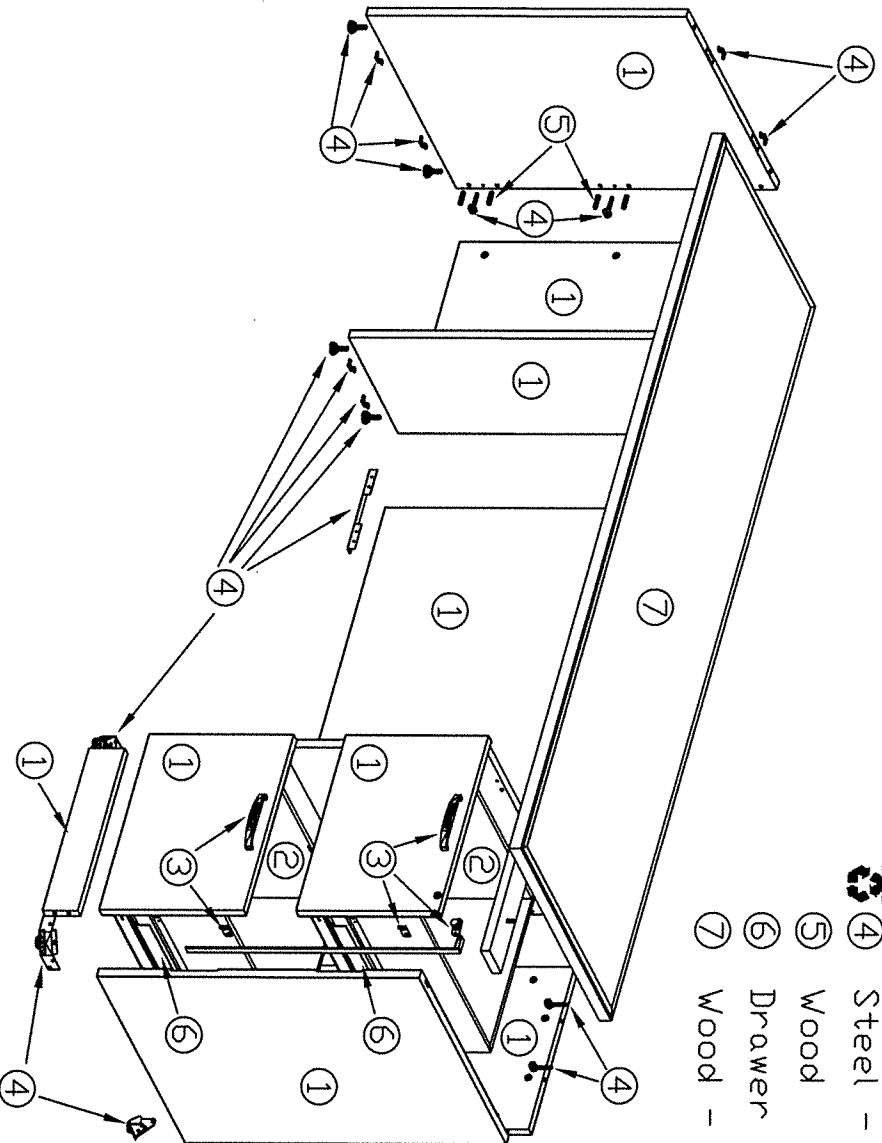
- ① Wood - Veneer Particle Board
- ② Vinyl Wrapped Drawer Box
- ③ Steel - Hardware
- ④ Steel - Fasteners
- ⑤ Wood
- ⑥ Drawer Slides
- ⑦ Wood - Melamine Particle Board



BIFMA Materials Schedule

Credenza

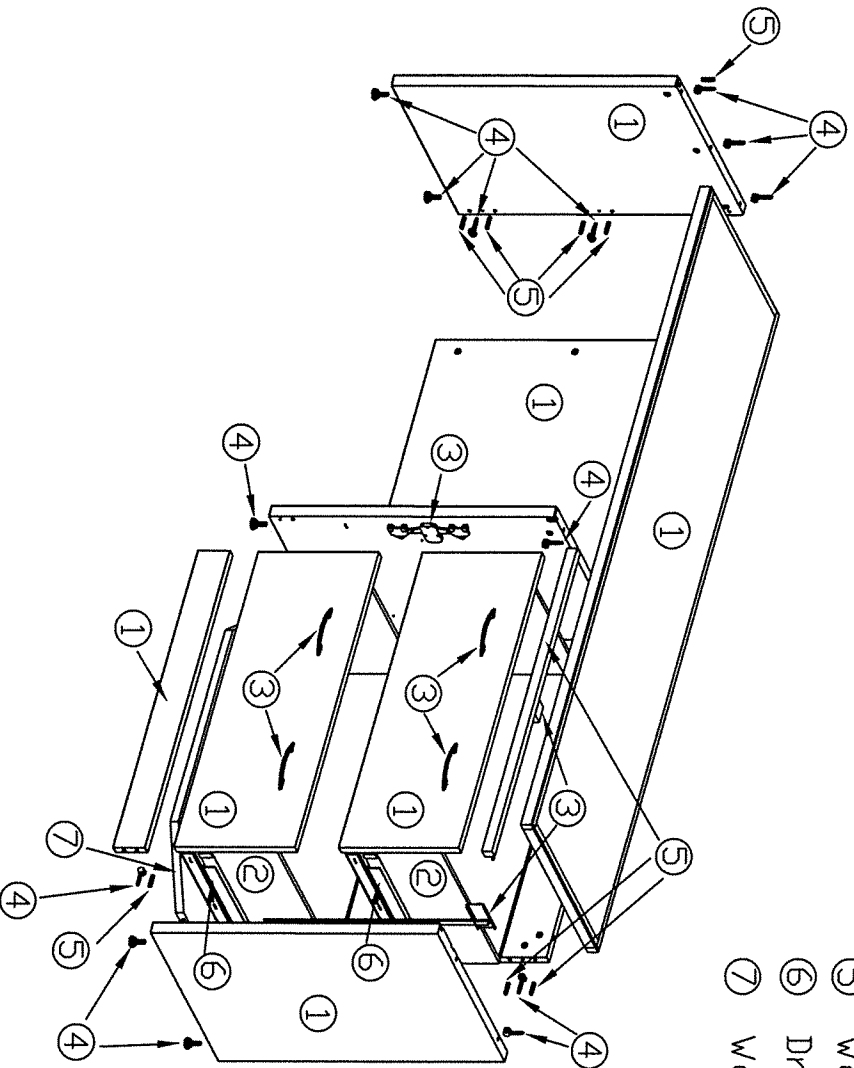
- ① Wood - Melamine Particle Board
- ② Vinyl Wrapped Drawer Box
- ♻️ ③ Steel - Hardware
- ♻️ ④ Steel - Fasteners
- ⑤ Wood
- ⑥ Drawer Slides
- ⑦ Wood - HPL Particle Board



BIFMA Materials Schedule

Credenza

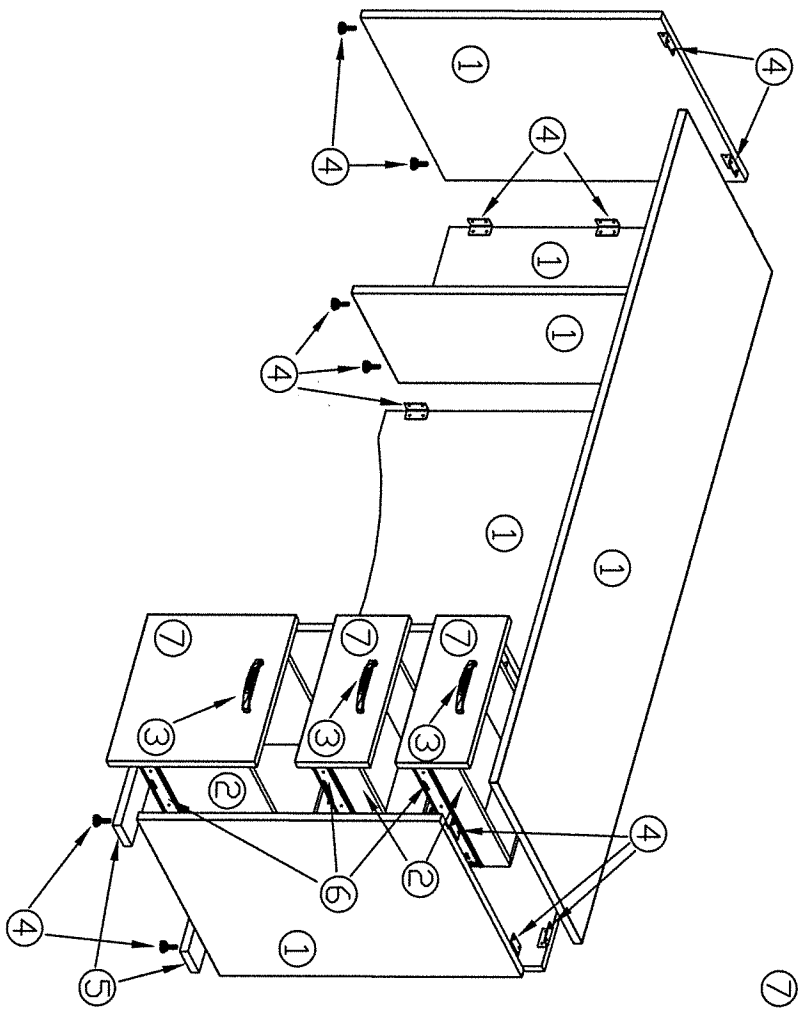
- ① Wood - Veneer Particle Board
- ② Wood - Birch Plywood Drawer Board
- ③ Steel - Hardware
- ④ Steel - Fasteners
- ⑤ Wood
- ⑥ Drawer Slides
- ⑦ Wood - Melamine Particle Board



BIFMA Materials Schedule

Credenza

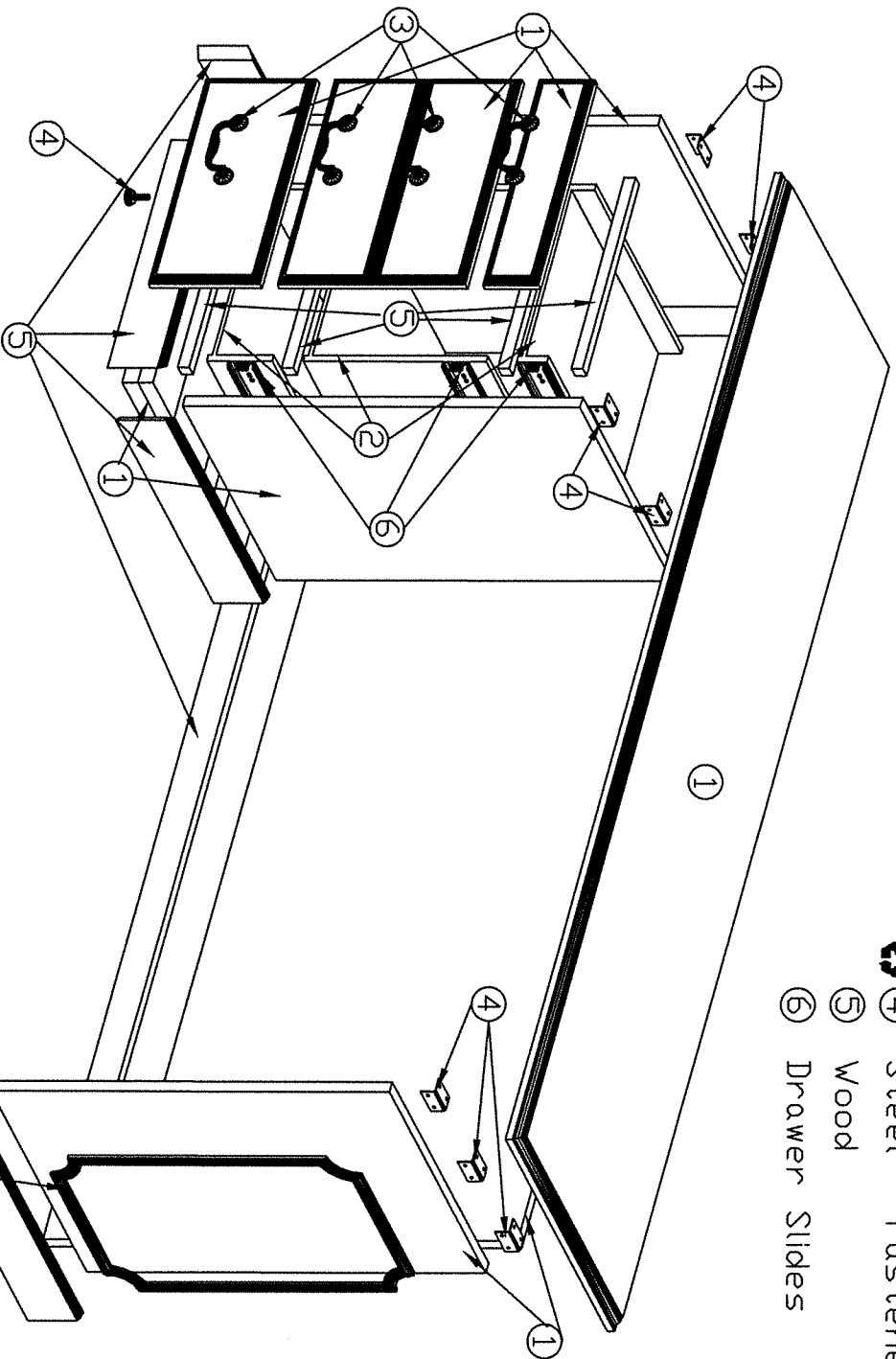
- ① Wood - Veneer Particle Board
- ② Vinyl Wrapped Drawer Box
- ③ Steel - Hardware
- ④ Steel - Fasteners
- ⑤ Wood - Medium Density Fiberboa
- ⑥ Drawer Slides
- ⑦ Wood - Veneer MDF Board



BIFMA Materials Schedule

Credenza

- ① Wood - Veneer Particle Board
- ② Wood - Birch Plywood Drawer Board
- ③ Steel - Hardware
- ④ Steel - Fasteners
- ⑤ Wood
- ⑥ Drawer Slides



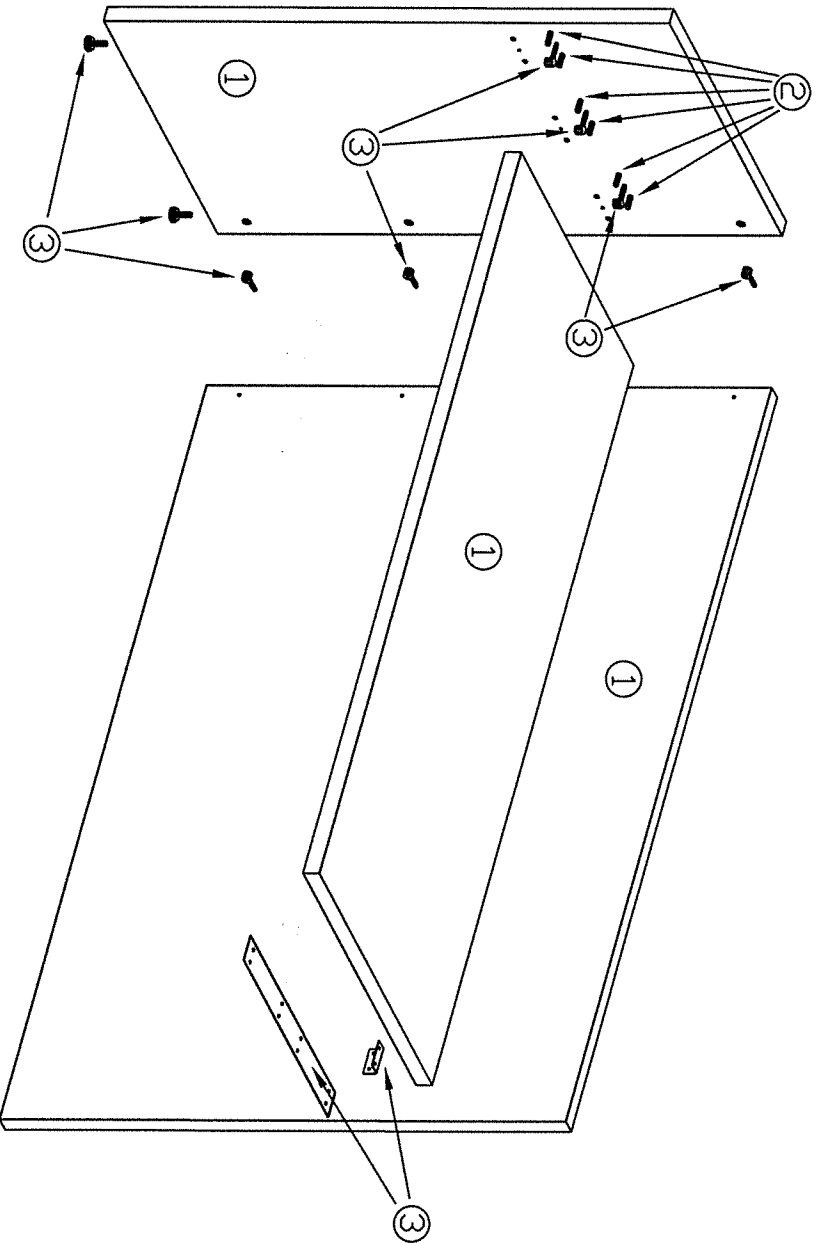
Indiana
FURNITURE

Product Group: Credenza 9

BIFMA Materials Schedule

Credenza

- ① Wood - Veneer Particle Board
- ② Wood
- ♻️ ③ Steel - Fasteners



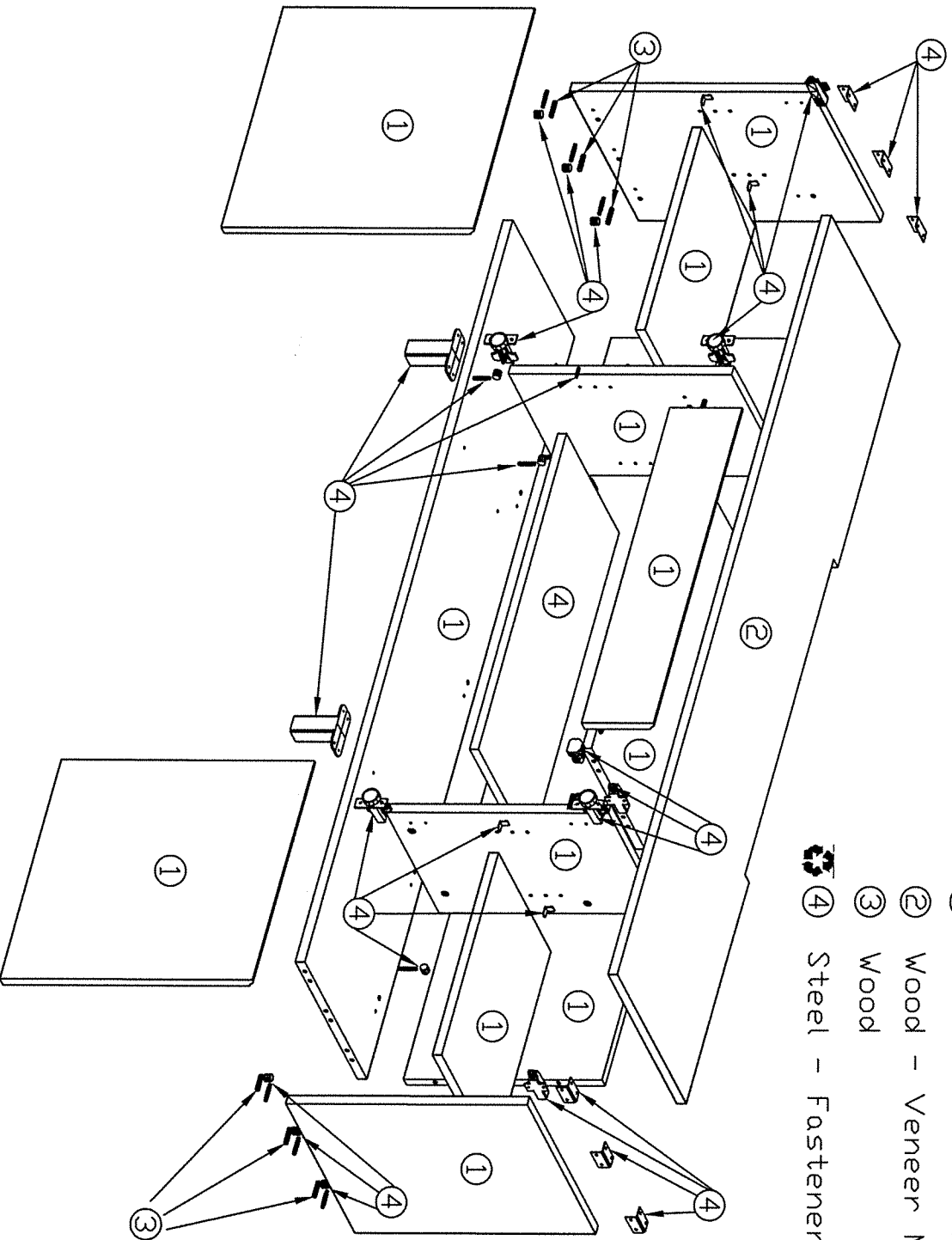
Indiana
FURNITURE

Product Group: Credenza 10

BIFMA Materials Schedule

Credenza

- ① Wood - Veneer Particle Board
- ② Wood - Veneer MDF
- ③ Wood
- ④ Steel - Fasteners



Indiana
FURNITURE

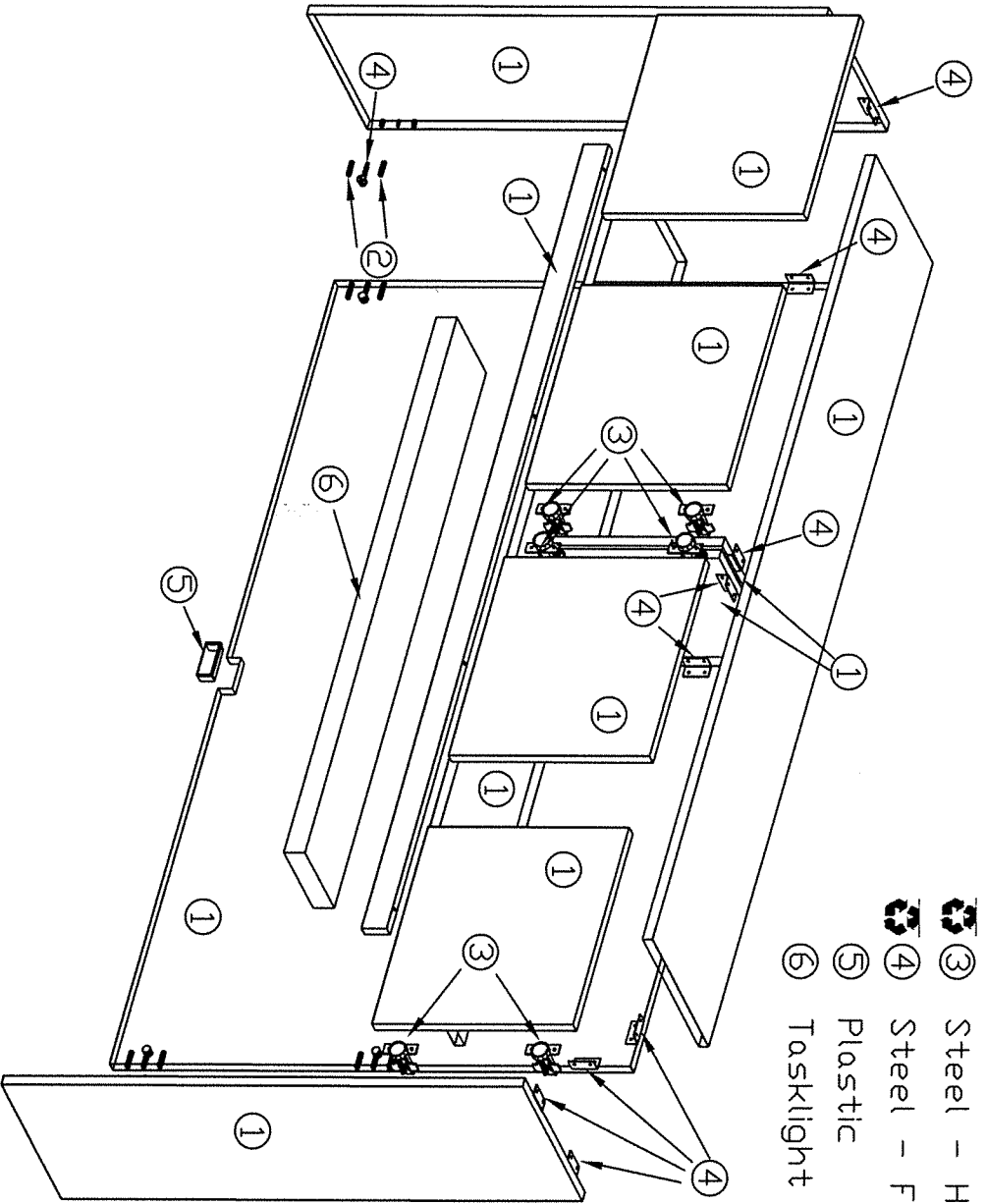
Product Group: Credenza II

BIFMA Materials Schedule

Hutch

- ① Wood - Veneer Particle Board
- ② Wood
- ③ Steel - Hardware
- ④ Steel - Fasteners
- ⑤ Plastic
- ⑥ Tasklight

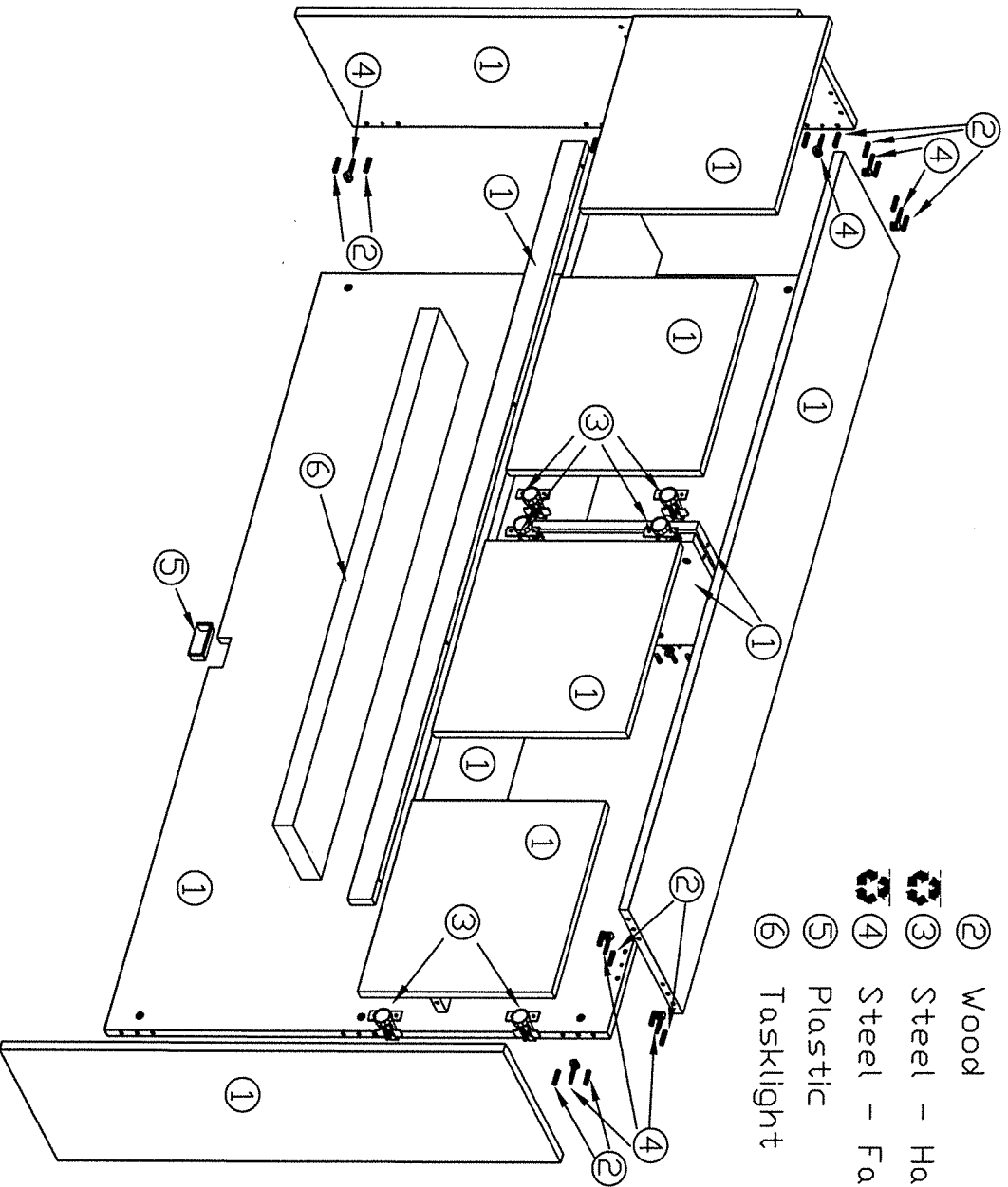
(fluorescent bulb, metal casing, electrical wire components)



BIFMA Materials Schedule

Hutch

- ① Wood - Melamine Particle Board
- ② Wood
- ③ Steel - Hardware
- ④ Steel - Fasteners
- ⑤ Plastic
- ⑥ Tasklight (fluorescent bulb, metal casing, electrical wire components)

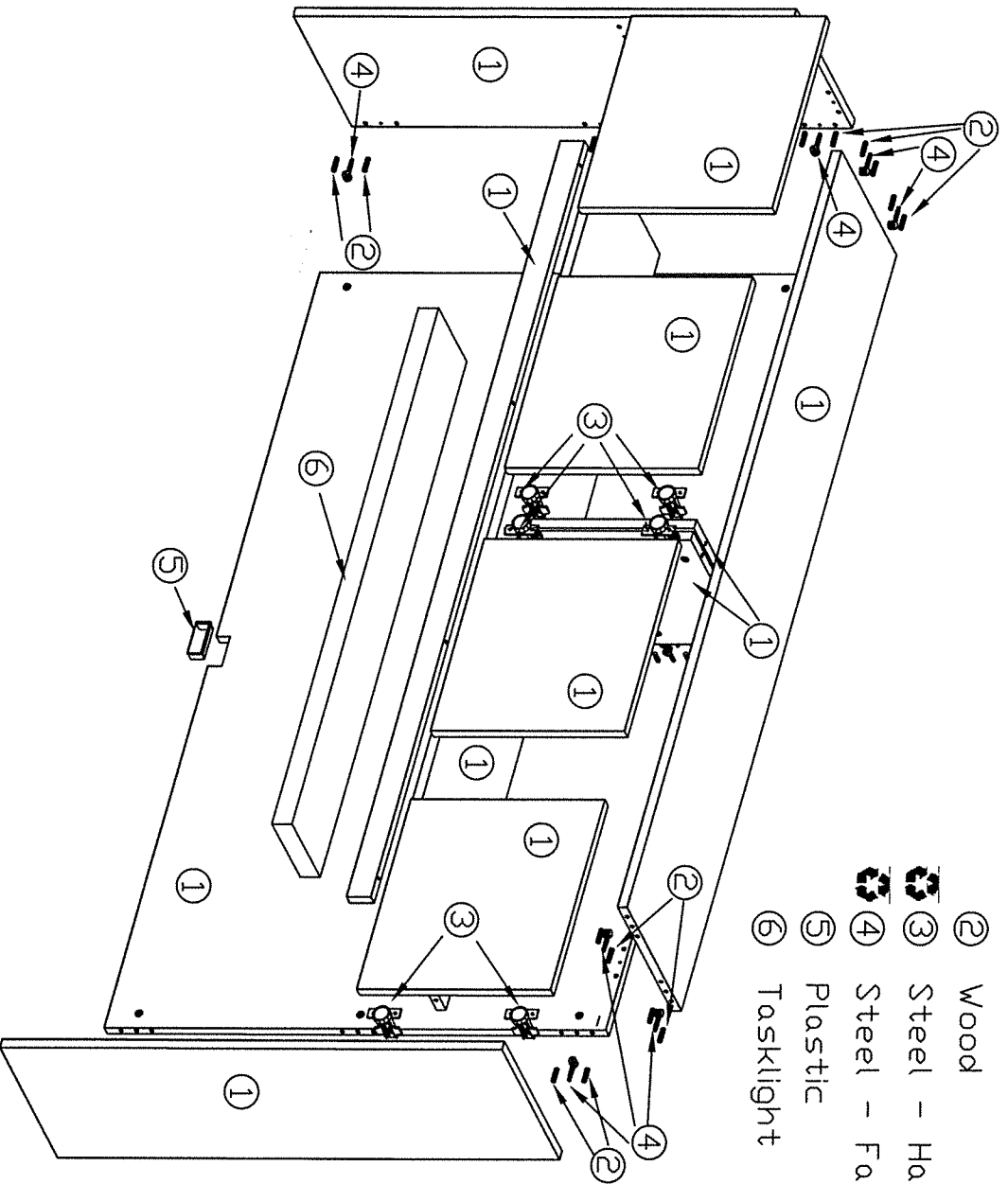


BIFMA Materials Schedule

Hutch

- ① Wood - Veneer Particle Board
- ② Wood
- ③ Steel - Hardware
- ④ Steel - Fasteners
- ⑤ Plastic
- ⑥ Tasklight

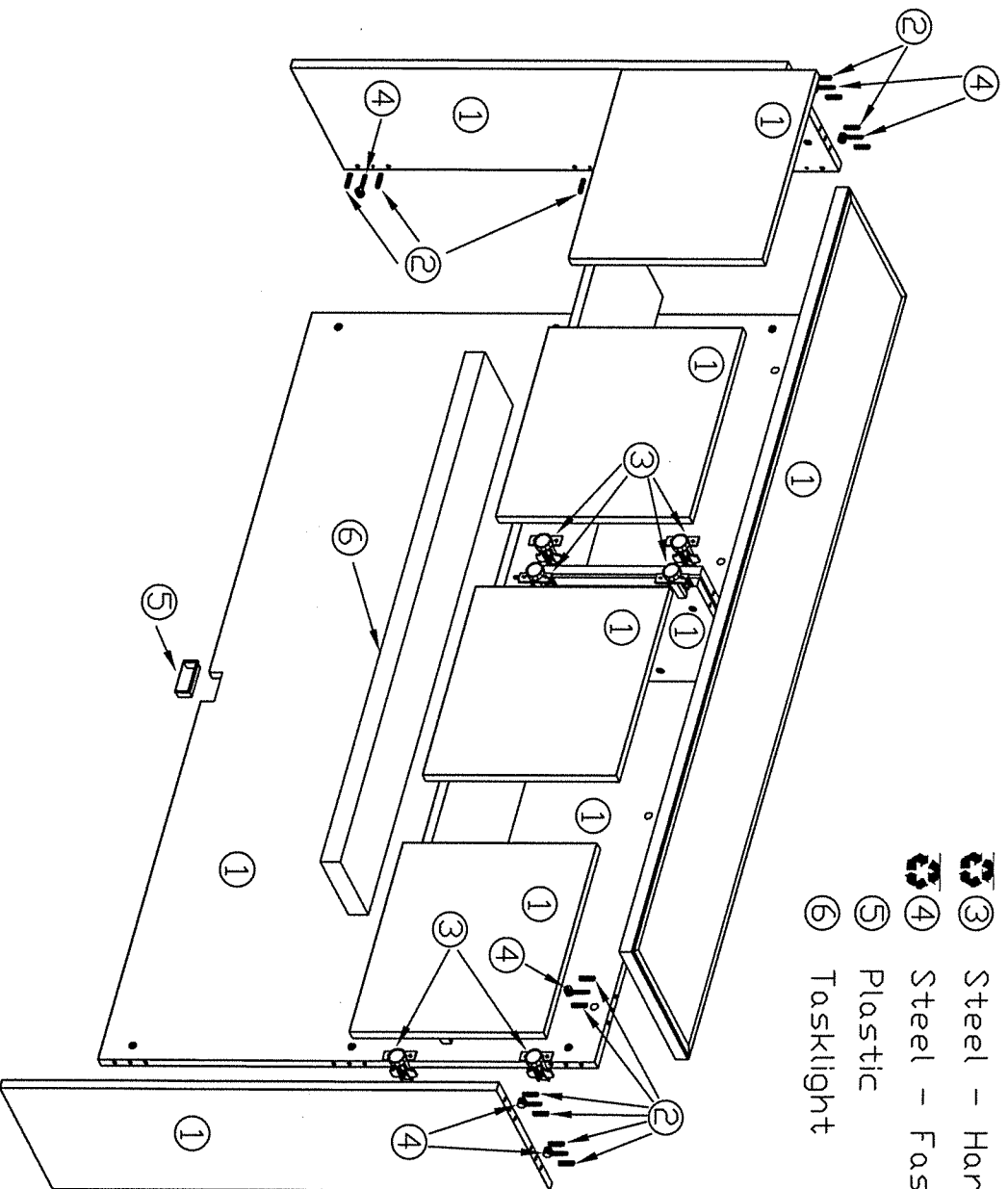
(fluorescent bulb,
metal casing, electrical
wire components)



BIFMA Materials Schedule

Hutch

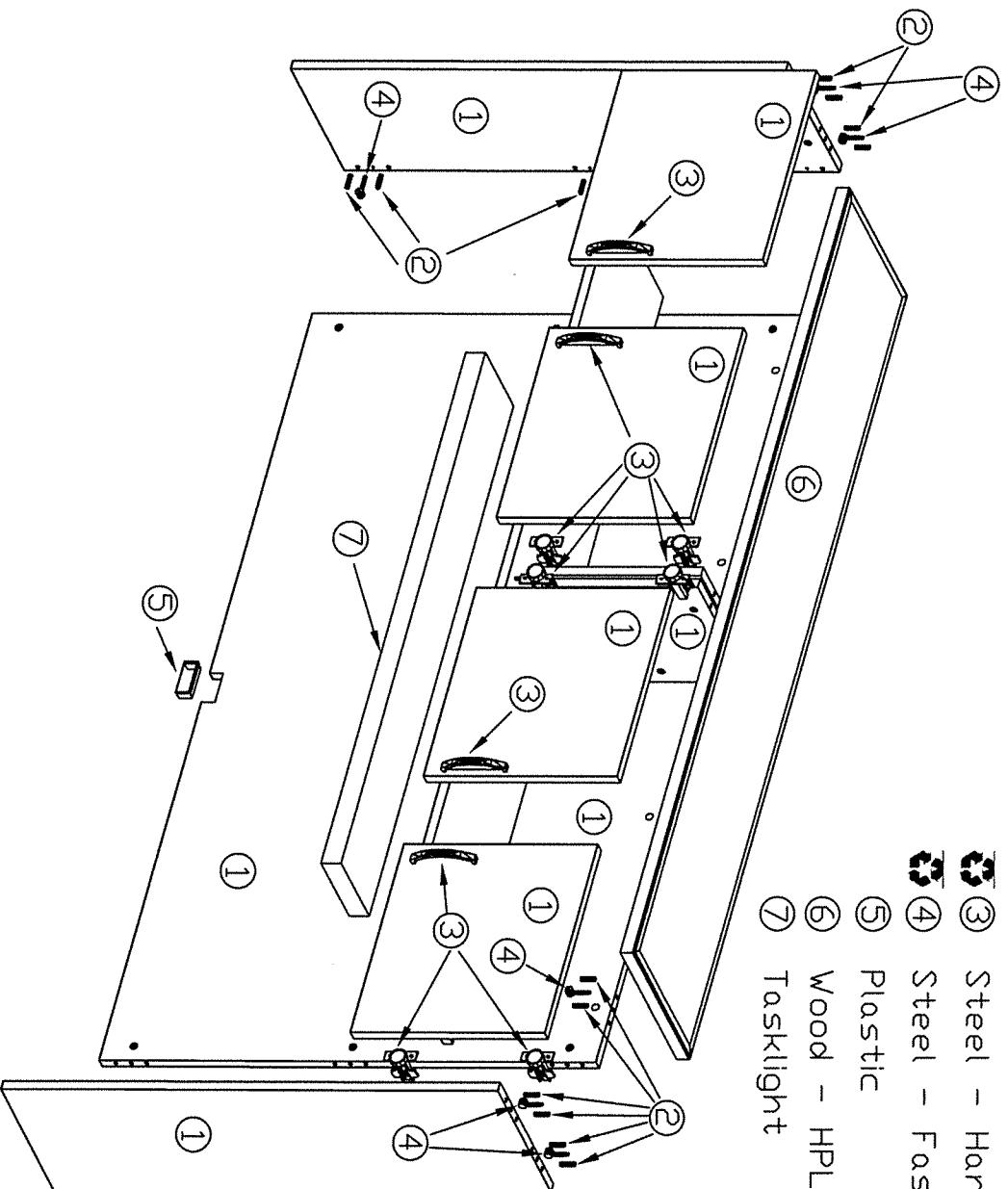
- ① Wood - Veneer Particle Board
- ② Wood
- ③ Steel - Hardware
- ④ Steel - Fasteners
- ⑤ Plastic
- ⑥ Tasklight (fluorescent bulb, metal casing, electrical wire components)



BIFMA Materials Schedule

Hutch

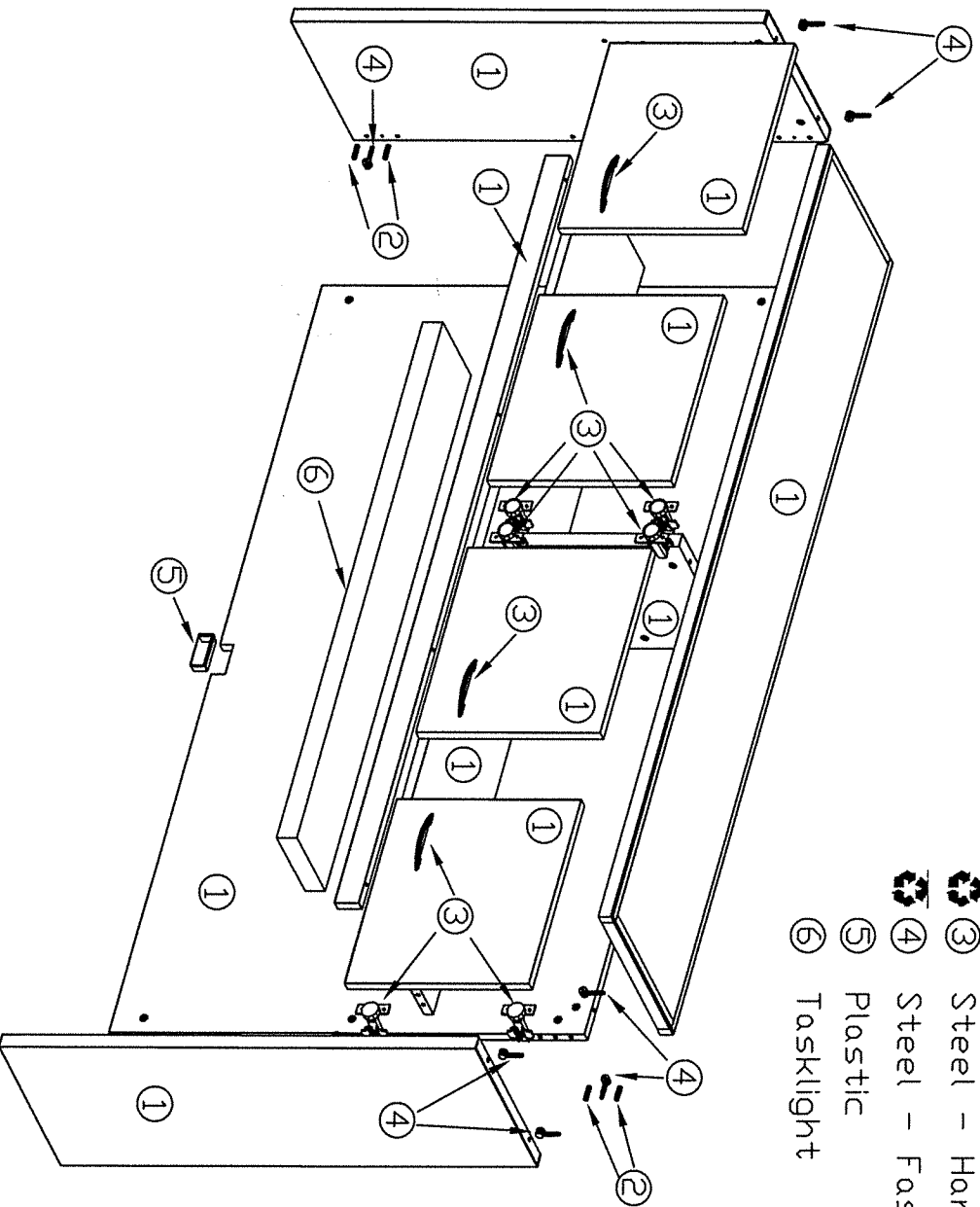
- ① Wood - Melamine Particle Board
- ② Wood
- ③ Steel - Hardware
- ④ Steel - Fasteners
- ⑤ Plastic
- ⑥ Wood - HPL Particle Board
- ⑦ Tasklight (fluorescent bulb, metal casing, electrical wire components)



BIFMA Materials Schedule

Hutch

- ① Wood - Veneer Particle Board
- ② Wood
- ③ Steel - Hardware
- ④ Steel - Fasteners
- ⑤ Plastic
- ⑥ Tasklight (fluorescent bulb, metal casing, electrical wire components)




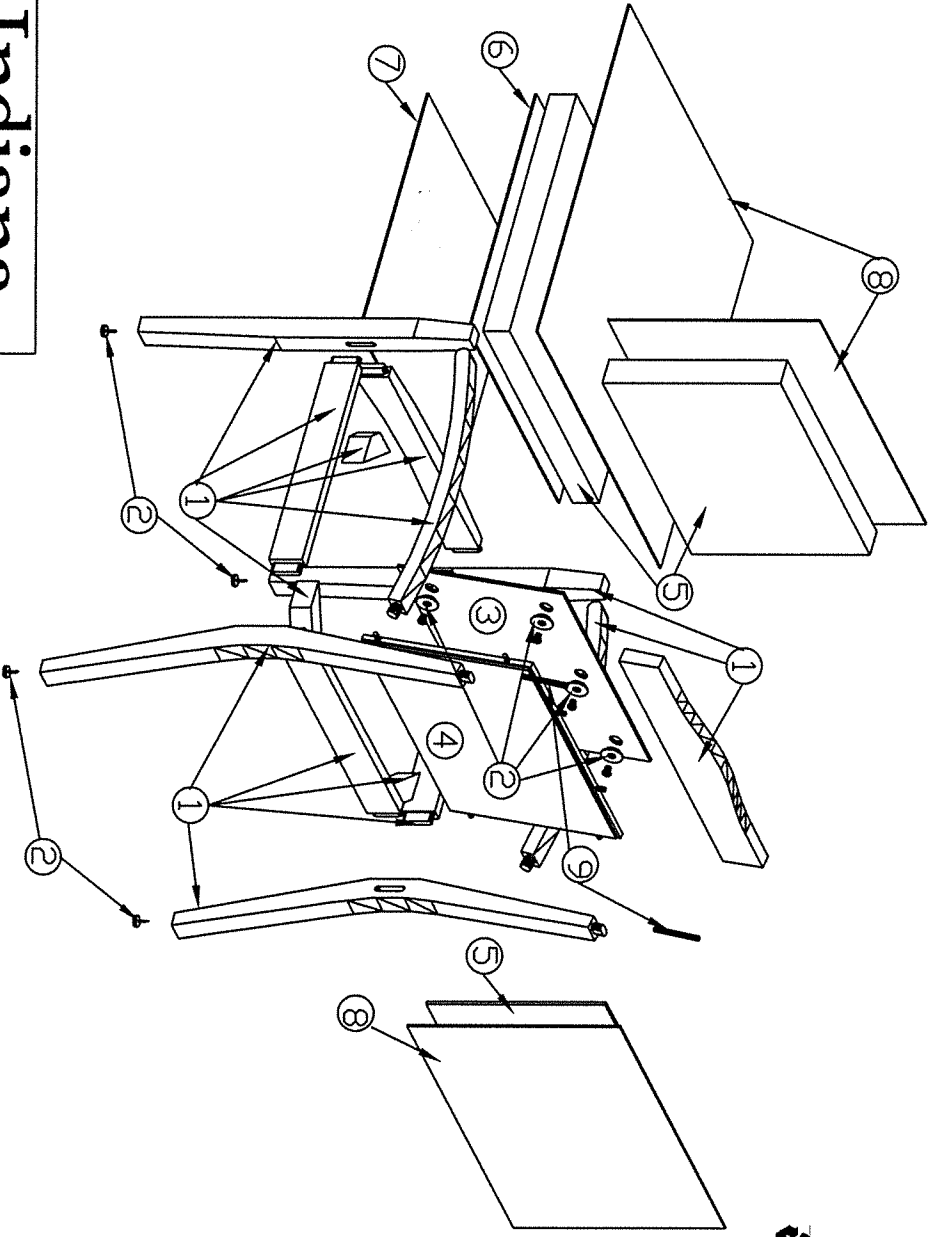
Indiana
FURNITURE

Product Group: Hutch 6

BIFMA Materials Schedule

Guest Chair

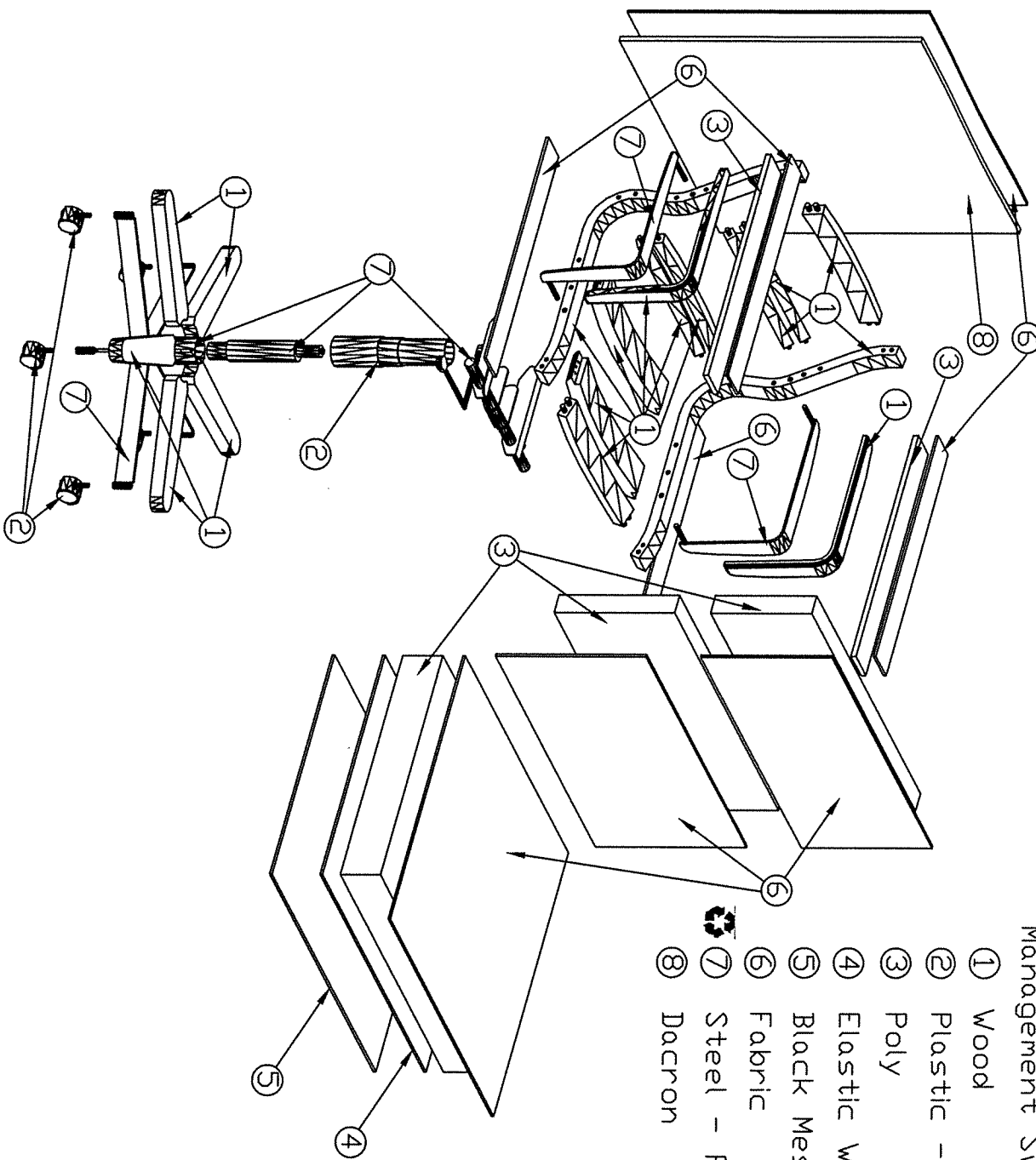
- ① Wood
- ② Plastic Fasteners
- ③ Wood - MDF
- ④ Wood - Plywood
- ⑤ Poly
- ⑥ Elastic Webbing
- ⑦ Black Mesh
- ⑧ Fabric
- ⑨  Steel - Fastener



Indiana
FURNITURE

Product Group: Chair 1 (Guest)

BIFMA Materials Schedule



Management Swivel Chair

- ① Wood
- ② Plastic - Fasteners/Hardware
- ③ Poly
- ④ Elastic Webbing
- ⑤ Black Mesh
- ⑥ Fabric
- ⑦ Steel - Fasteners/Hardware
- ⑧ Dacron

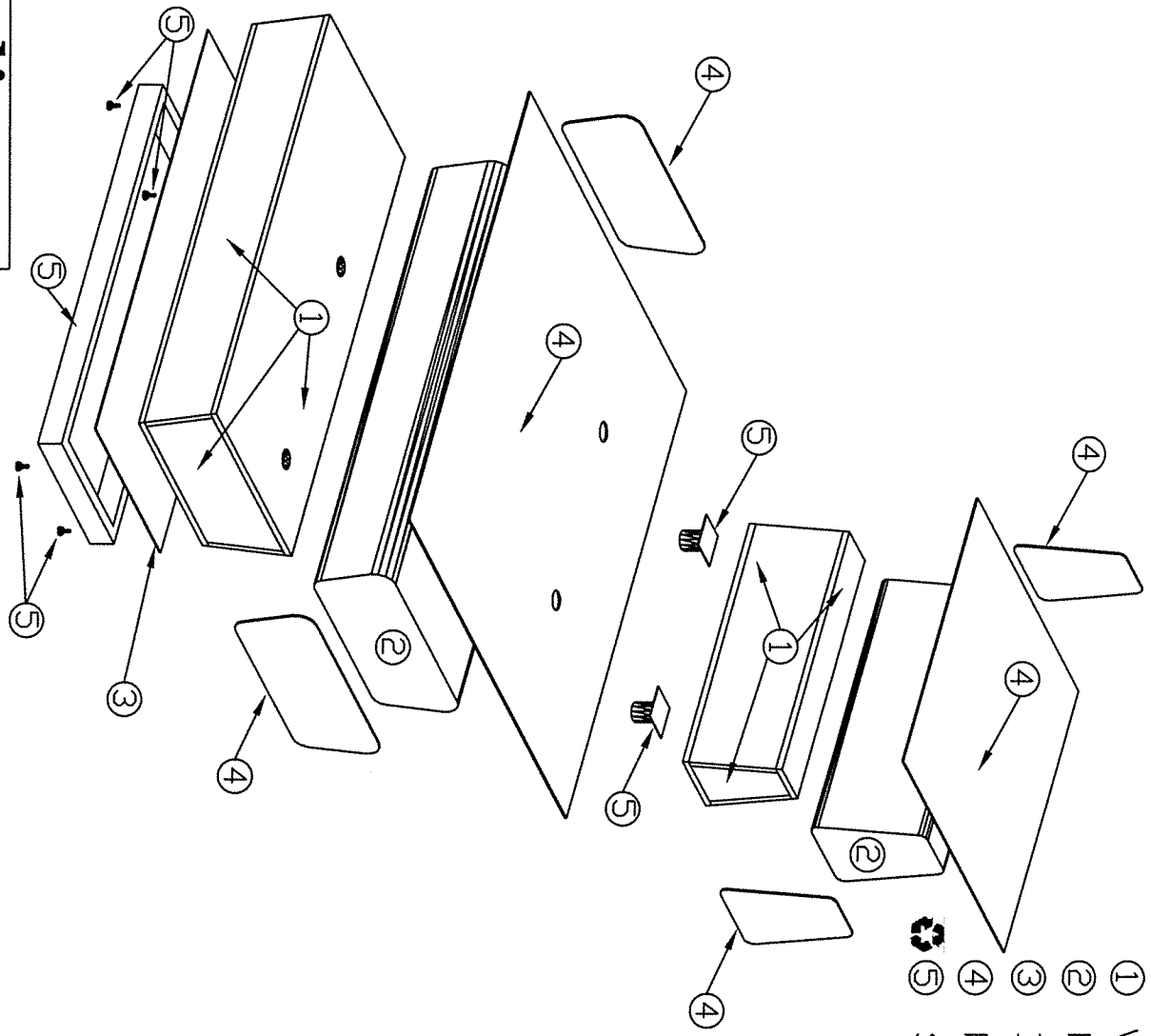
Indiana
FURNITURE

Product Group: Chair 2 (Swivel)

BIFMA Materials Schedule

Lounge Seating

- ① Wood - Particle Board
- ② Poly
- ③ Black Mesh
- ④ Fabric
- ⑤ Steel - Fasteners/Hardware



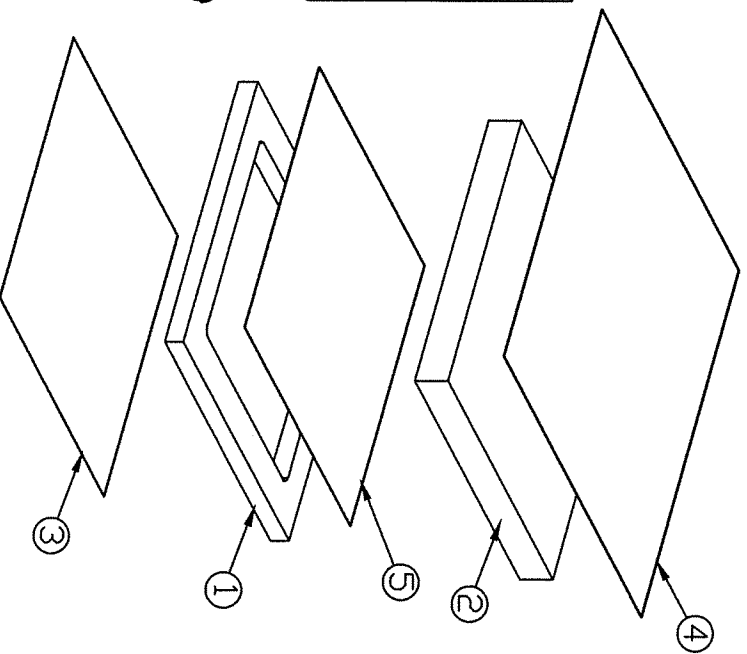
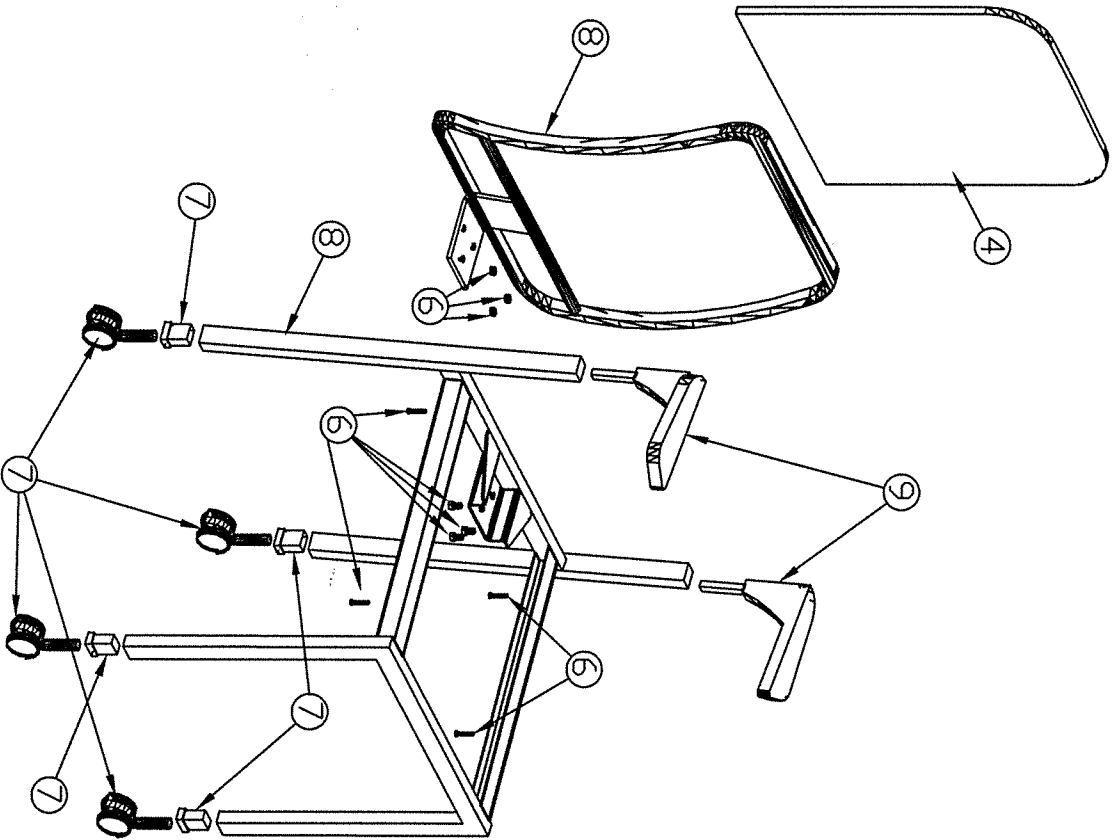
Indiana
FURNITURE

Product Group: Chair 3 (Lounge)

BIFMA Materials Schedule

Guest Metal Chair

- ① Wood - Particle Board
- ② Poly
- ③ Black Mesh
- ④ Fabric
- ⑤ Elastic Webbing
- ⑥ Steel - Fasteners/Hardware
- ⑦ Plastic - Fasteners/Hardware
- ⑧ Steel - Chair Frame
- ⑨ Glass Nylon Plastic - Arms



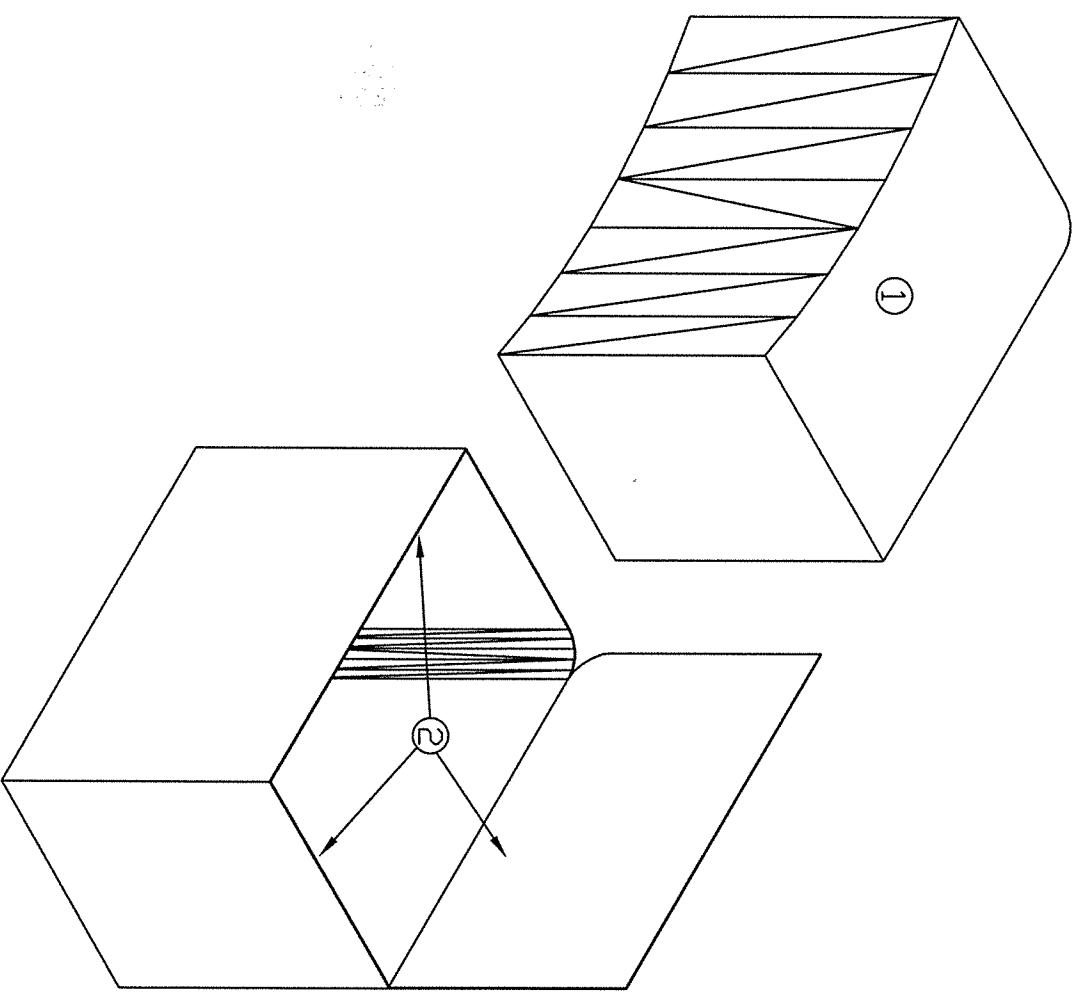
Indiana
FURNITURE

Product Group: Chair 4 (Guest Metal)

BIFMA Materials Schedule

Lounge Seating

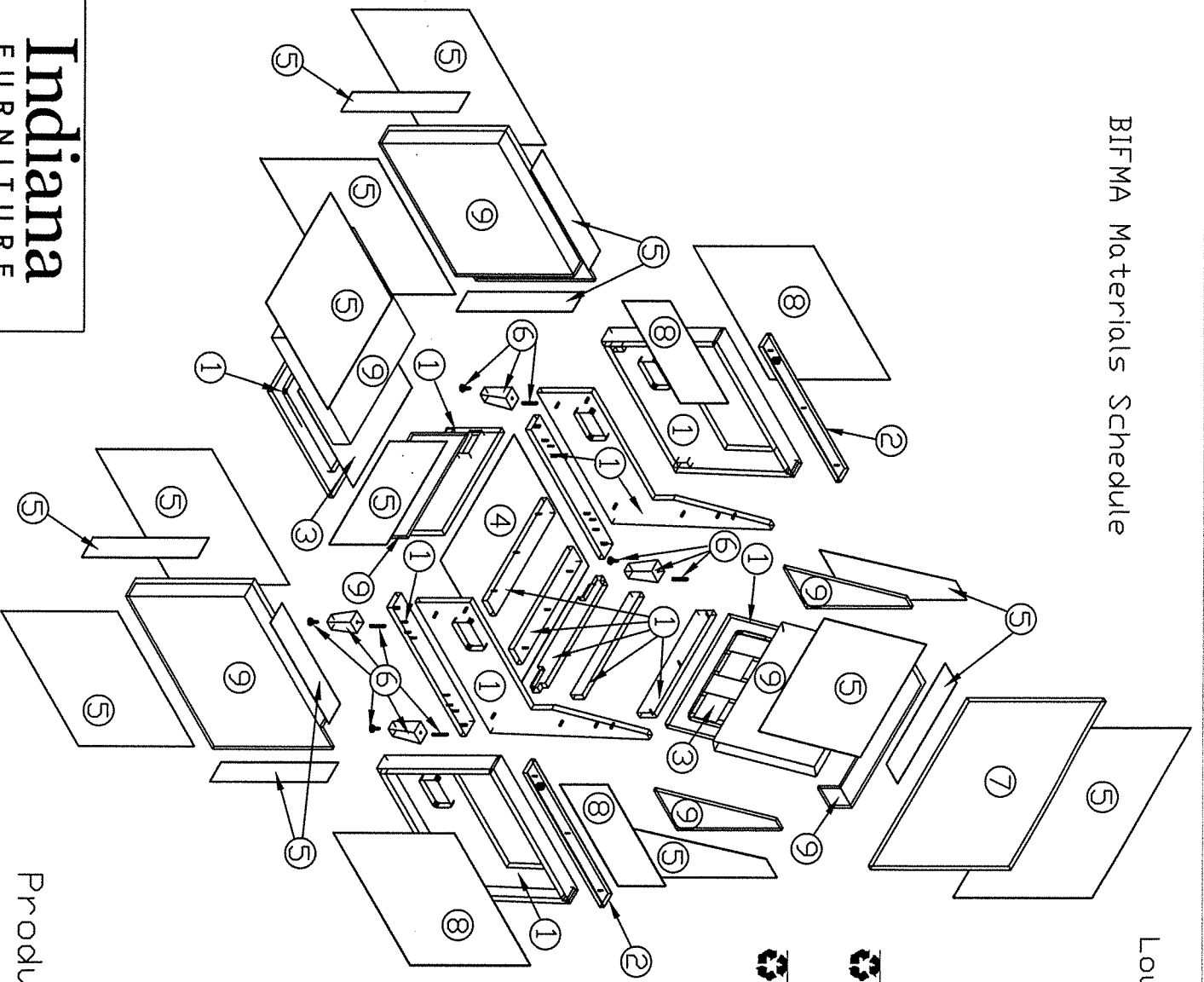
- ① Poly
- ② Fabric



BIFMA Materials Schedule

Lounge Seating

- ① Wood - Plywood
- ② Wood - MDF
- ③ Elastic Webbing
- ④ Black Mesh
- ⑤ Fabric
- ⑥ Steel - Fasteners/Hardware
- ⑦ Dacron
- ⑧ Cardboard
- ⑨ Poly




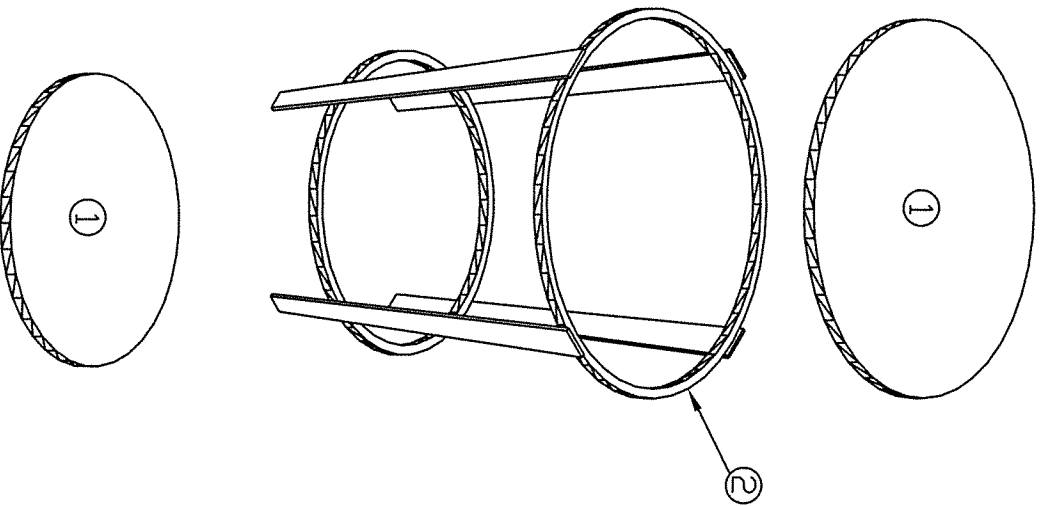
Indiana
FURNITURE

Product Group: Chair 6 (Lounge)

BIFMA Materials Schedule

Table

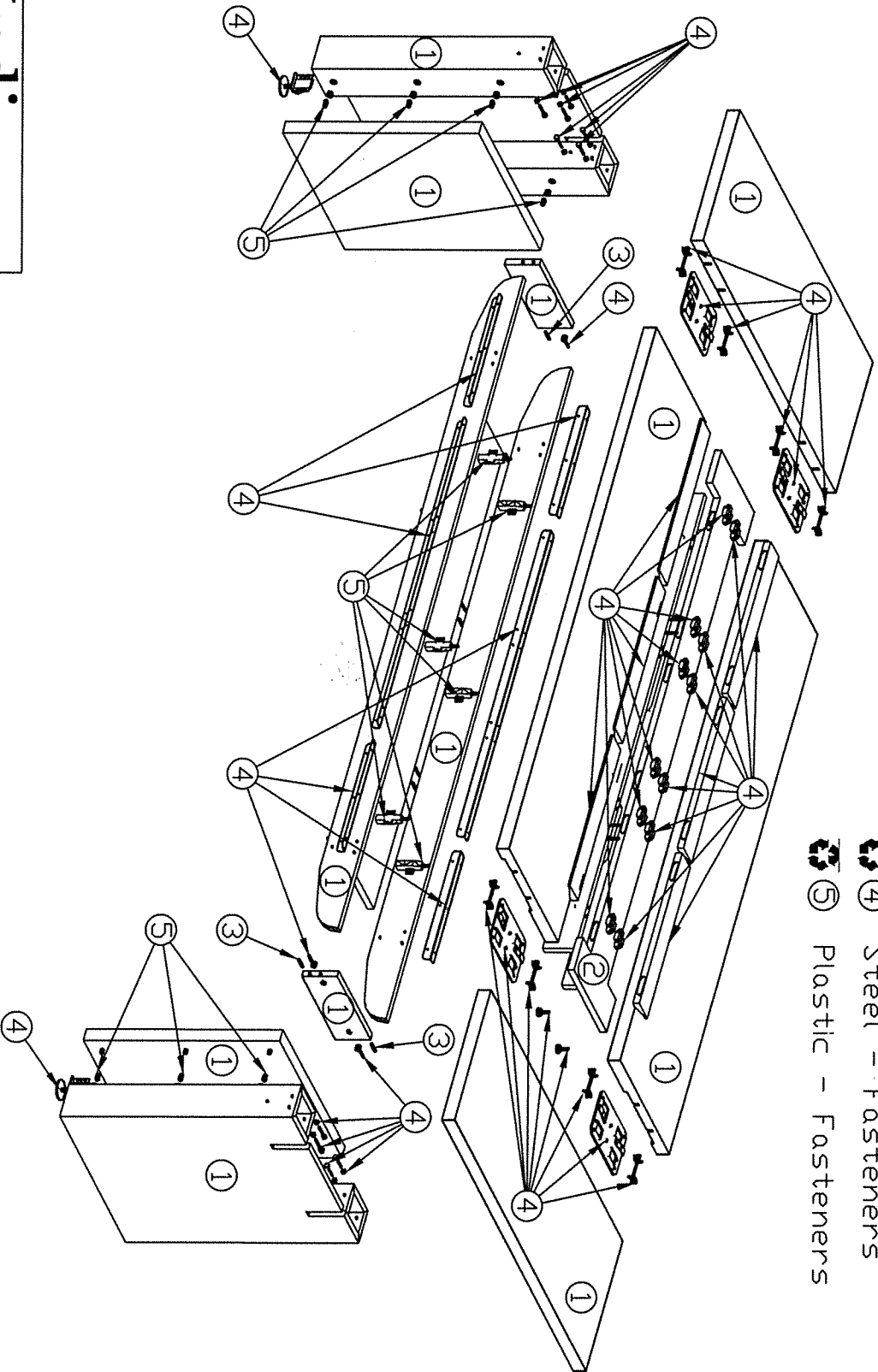
- ① Wood - Veneer Particle Board
- ②  Steel



BIFMA Materials Schedule

Table

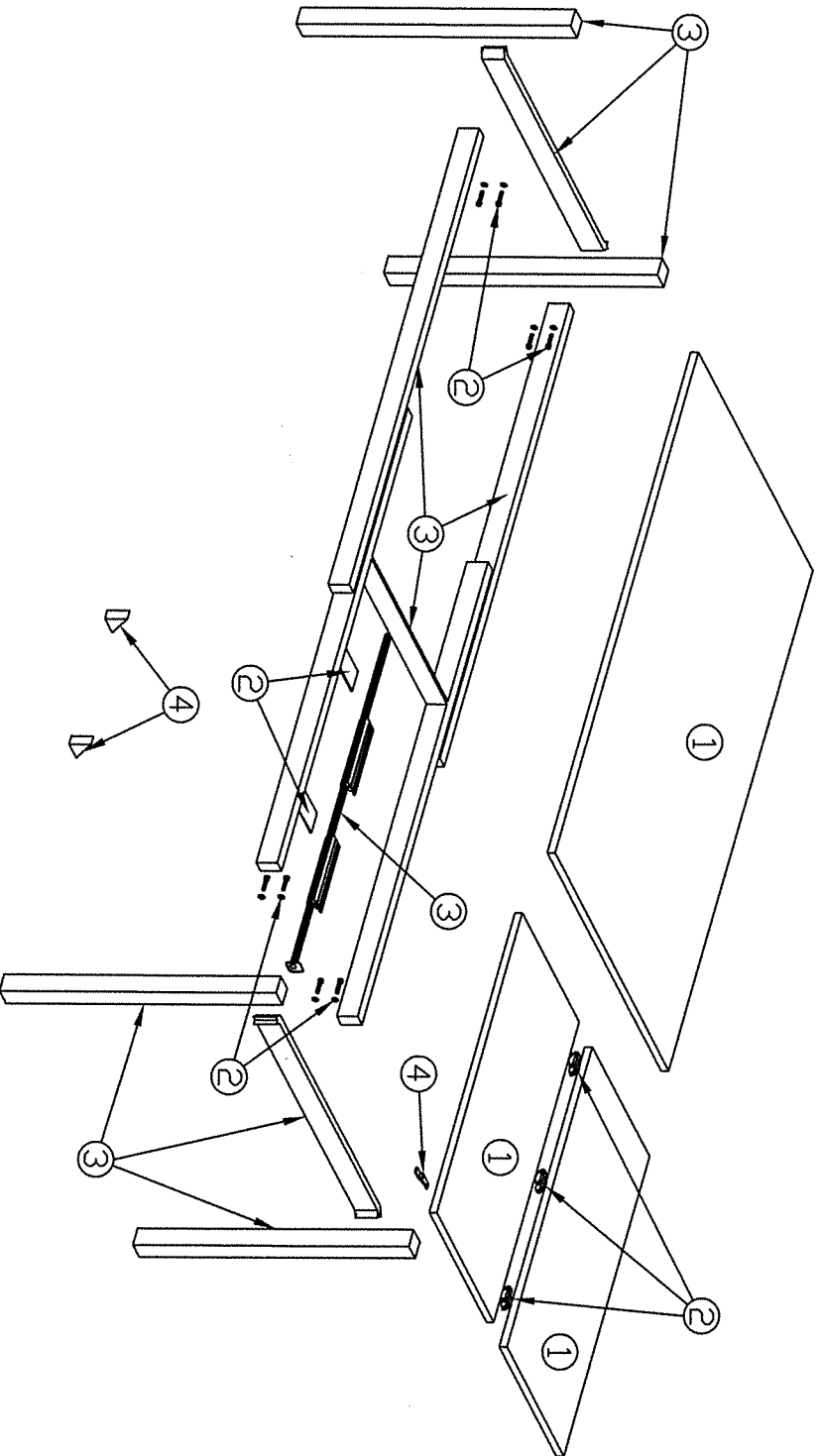
- ① Wood - Veneer Particle Board
- ② Wood - Veneer MDF
- ③ Wood
- ♻️ ④ Steel - Fasteners
- ♻️ ⑤ Plastic - Fasteners



BIFMA Materials Schedule

Table

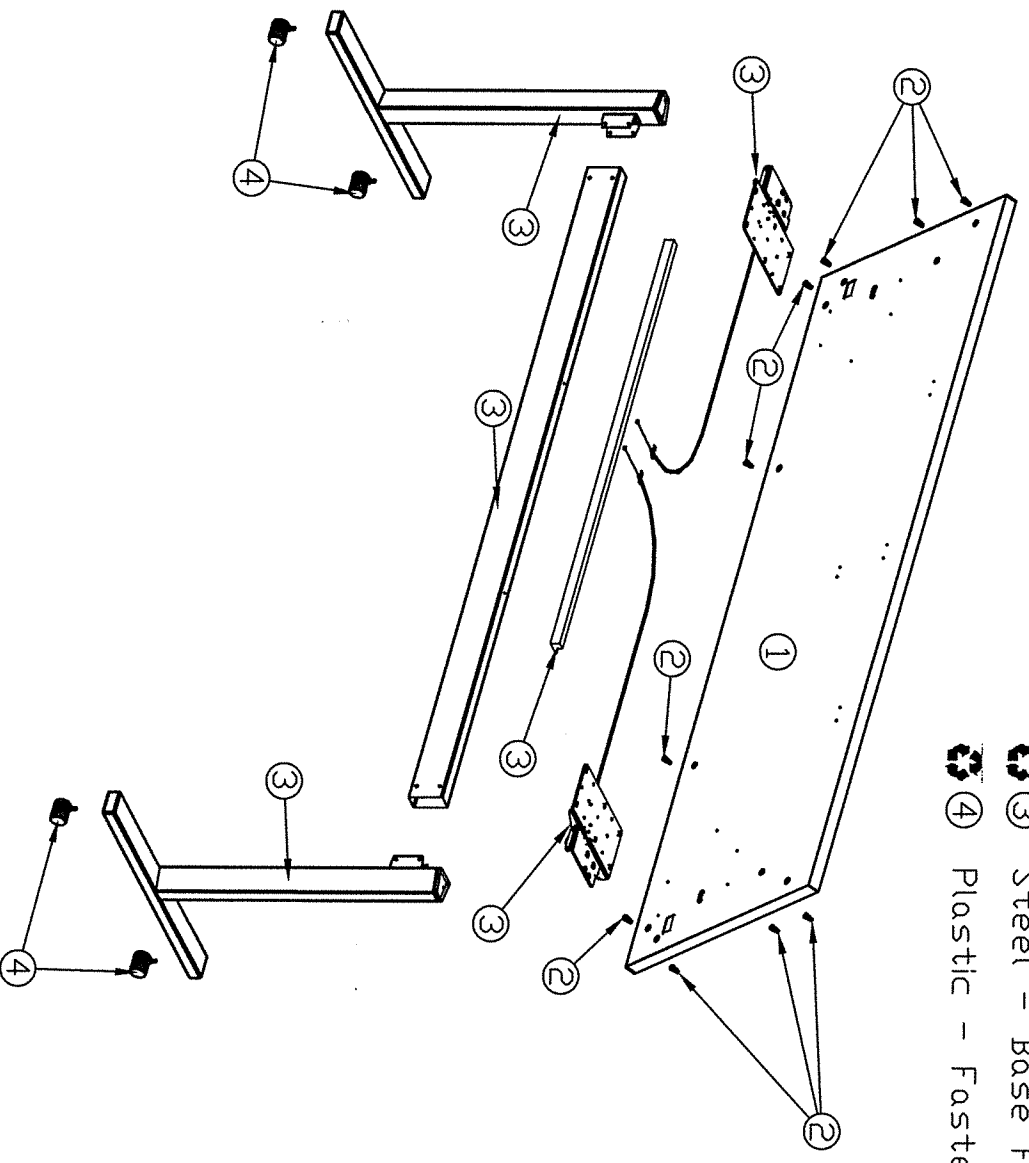
- ① Wood - Veneer Particle Board
- ② Steel - Fasteners
- ③ Aluminum - Base Frame
- ④ Plastic - Fasteners



BIFMA Materials Schedule

Table

- ① Wood - HPL Particle Board
- ② Steel - Fasteners
- ③ Steel - Base Frame
- ④ Plastic - Fasteners



Indiana
FURNITURE

Product Group: Table 4

BIFMA Materials Schedule

Relocatable Walls

- ① Wood - Solid Lumber Core
- ② Steel - Fasteners

