

## General Table Ganging Assembly Instructions

### Ganging:

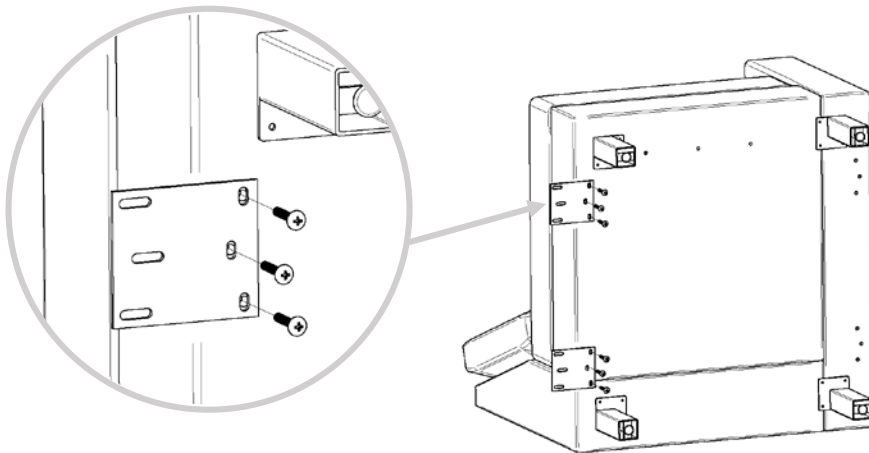
*Note: These instructions only apply to 620-2433GT, 620-2433GTT, 620-2433GET, 620-2433GETT.*

*For 620-3333CGT & 620-3333CGTT see separate instructions.*

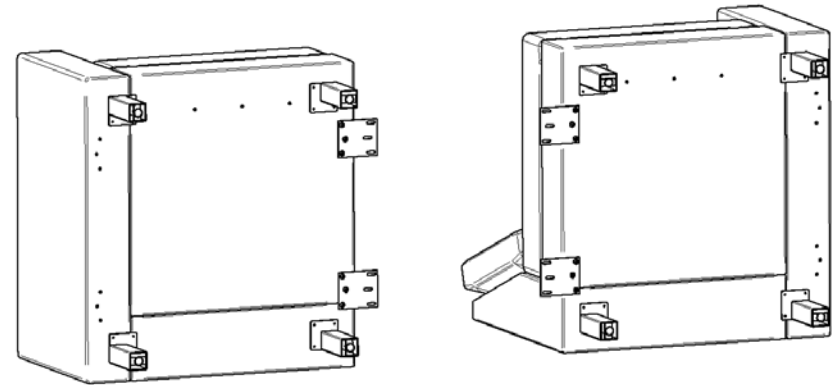
- 1 Start by laying the chair that is going to be ganged to a table on its back.

Attach the metal ganging plates to the chair, as shown, with the smaller slots on the chair side. Use the 1-1/2" long bolts to attach the plate to the chair.

**Do not fully tighten the bolts yet. Leave them loose for final adjustments.**

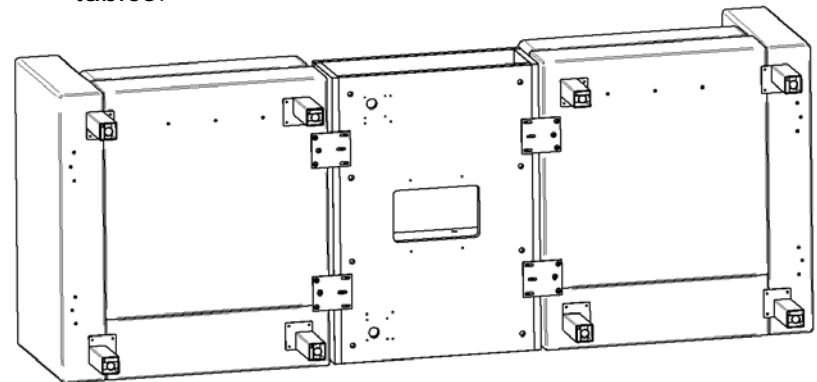


- 2 Repeat step 1 for any additional chairs to be ganged to a table. Then position the chairs in the desired layout.

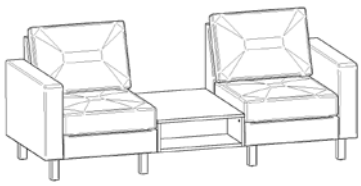


- 3 Position the table next to the chair(s).

Note: there is no specific front or back side to the tables.



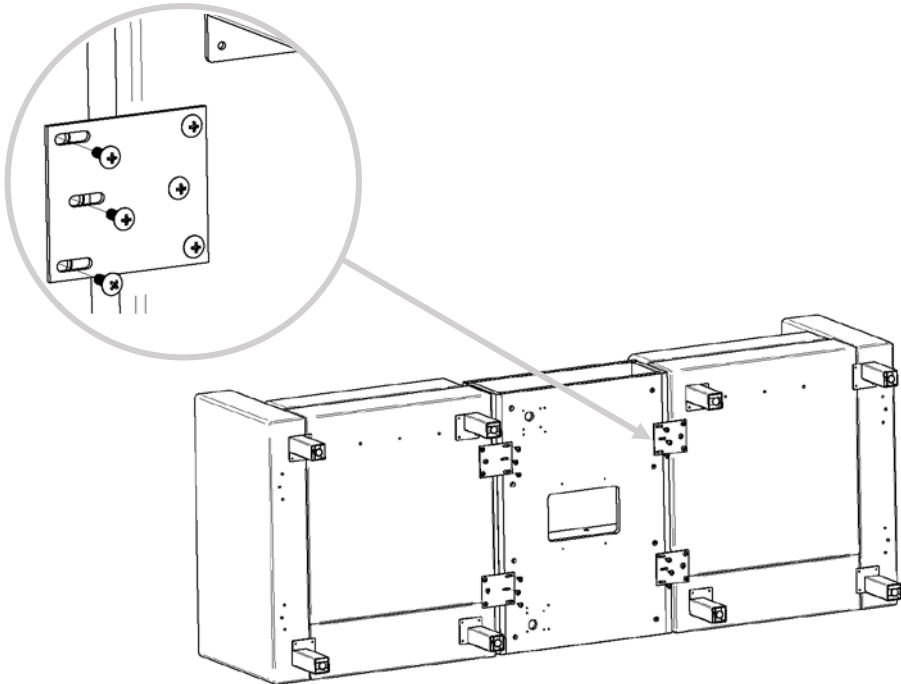
Note: Images shown are for clarity purposes only and may not match the unit that you are currently ganging together.



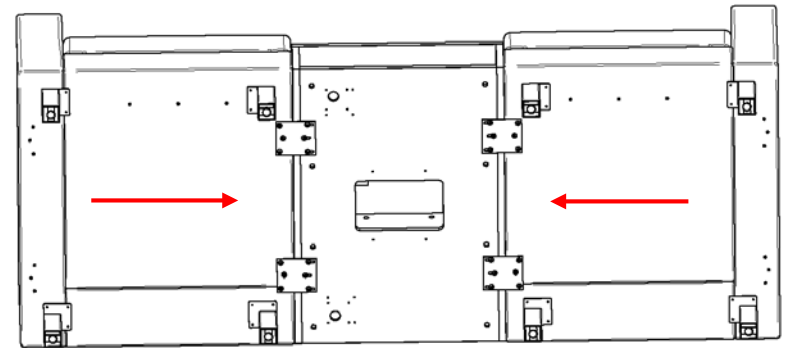
## General Table Ganging Assembly Instructions

- 4** Attach the table to the metal ganging plates.
- For units without the Plinth option use  $\frac{3}{4}$ " long bolts.
- For units with the Plinth option use 1-1/2" long bolts.

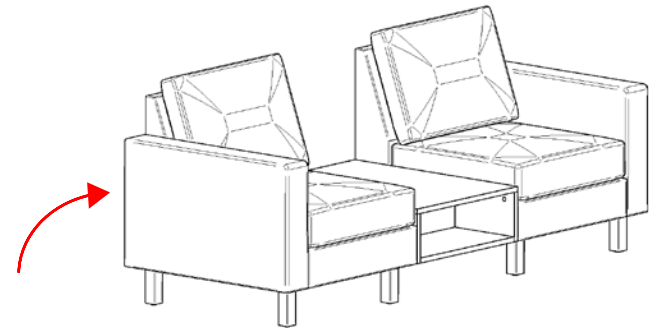
**Do not fully tighten bolts yet. Leave them loose for final adjustment.**



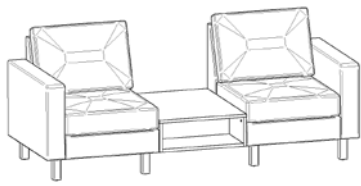
- 5** With some help, push all pieces tight together and tighten the bolts on the ganging plates.



- 6** With some help, carefully rotate up the assembled units. Assembly is now complete.



Note: Images shown are for clarity purposes only and may not match the units that you are currently ganging together.



# Plush Lounge | Indiana FURNITURE

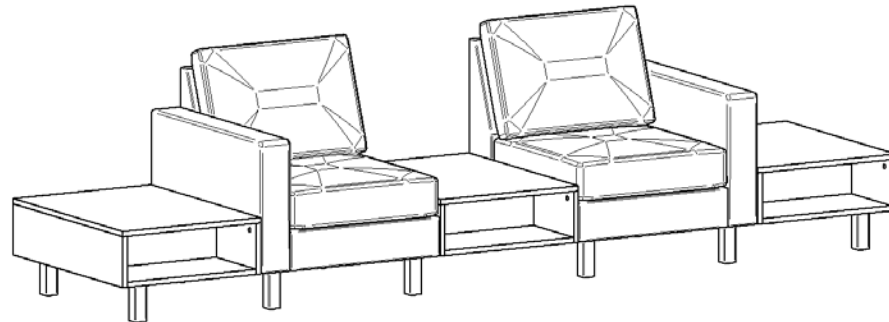
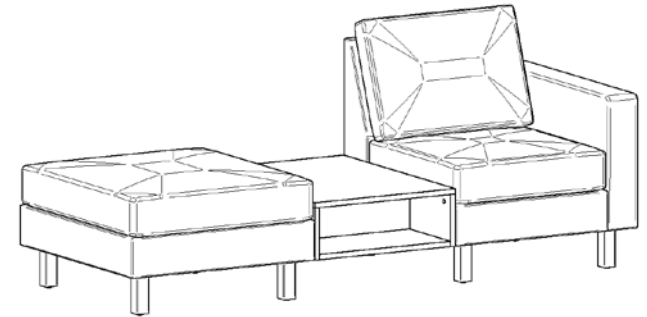
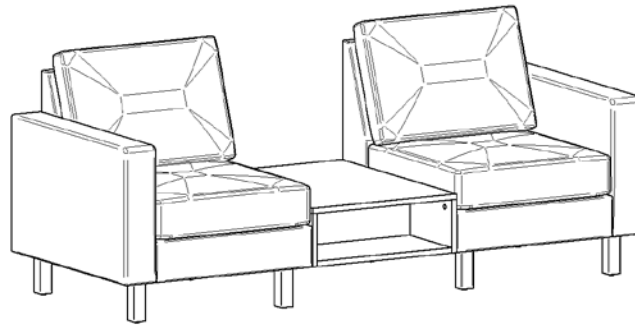
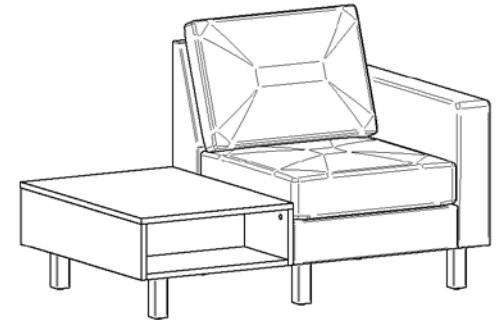
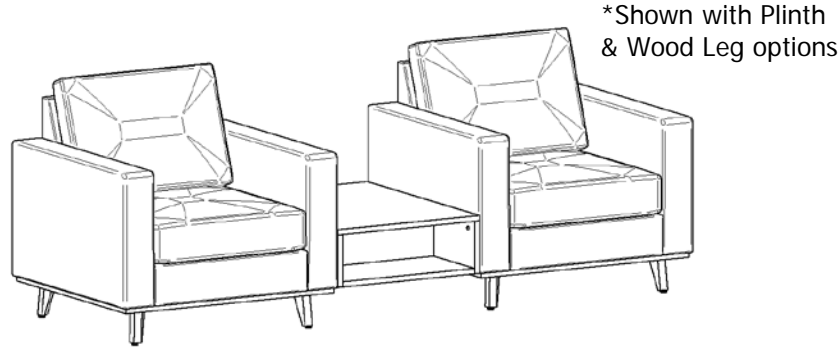
## General Table Ganging Assembly Instructions

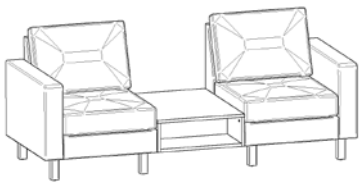
### Possible Configurations:

These are some possible configuration ideas for inline and end tables.

All configurations shown here can be replaced by 2 & 3 seat units. As well as with different options.

Note: Units ganging together must have similar Leg & Plinth options selected.

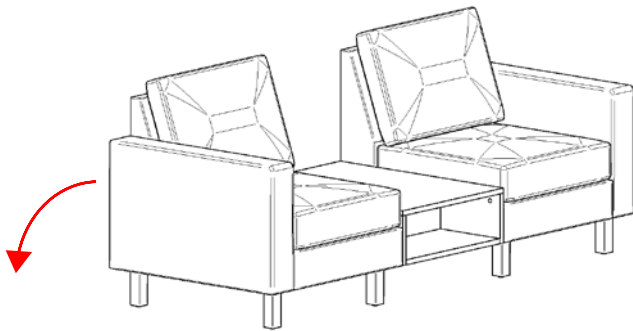




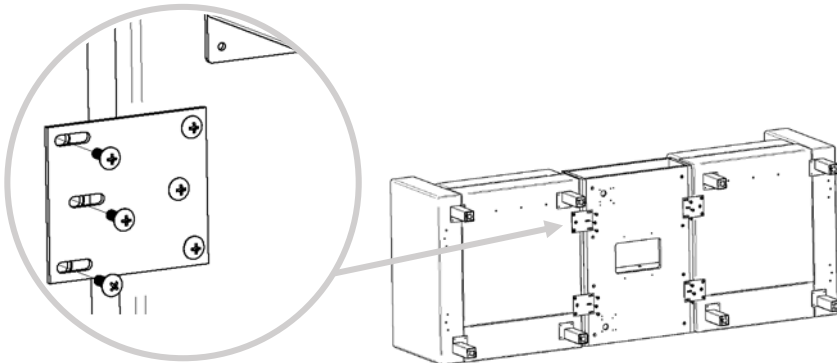
## General Table Ganging Disassembly Instructions

### Disassembly:

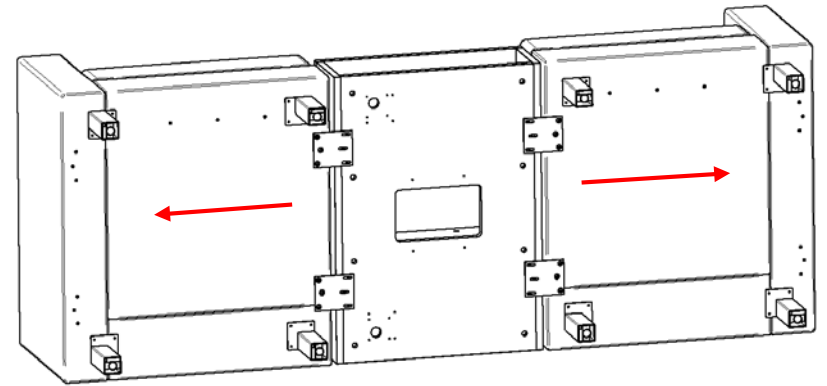
- 1 With some help, carefully rotate the assembled units onto their back.



- 2 Remove the ganging plate by removing all the bolts holding the ganging plates to the table & chair(s).



- 3 Pull the units apart and rotate them back upright. Disassembly is now complete.



Note: Images shown are for clarity purposes only and may not match the units that you are currently ganging together.