



620-31330T Ganging Assembly Instructions

Ganging:

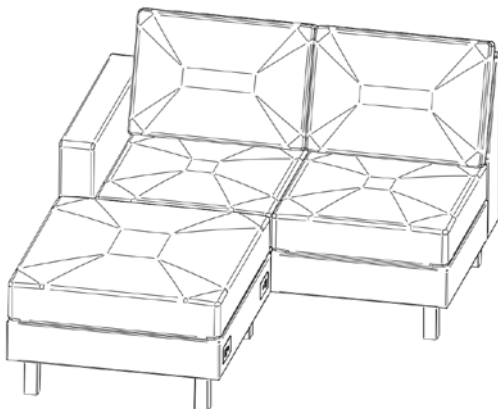
Note: These instructions only apply to 620-31330T.

For units with 'Plinth' option skip to page # 8

- 1 First start by figuring out the desired layout of units.

Note: These instructions are split into 2 parts based on how the ottoman can be connected. Based on the desired application, that will dictate which step #2 to start with.

Front (31" Side) Application:



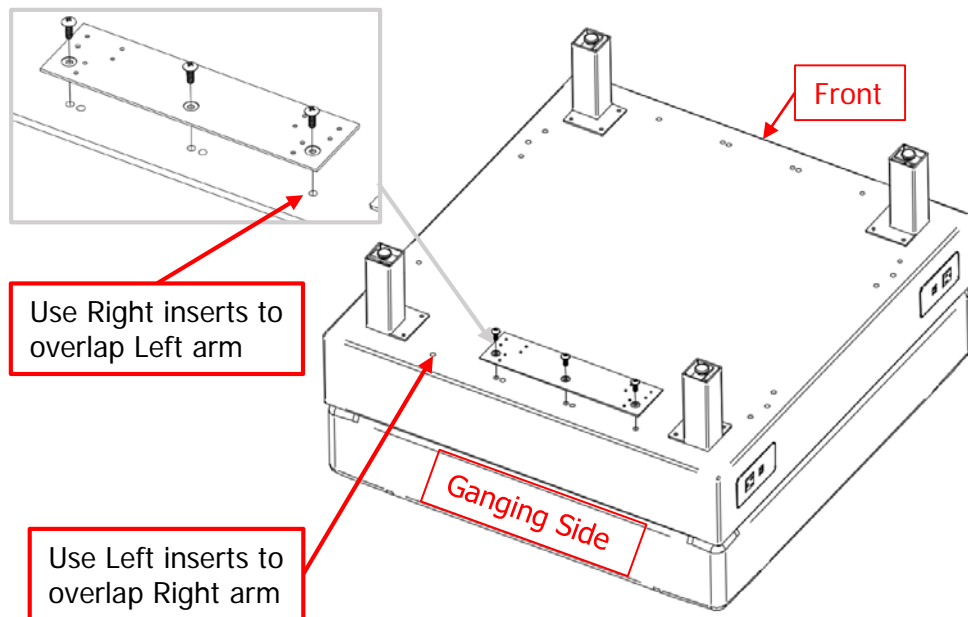
- 2 Start by flipping over the ottoman unit.

Note: Images shown are for clarity purposes only and may not match the unit that you are currently ganging together.

- 3 Determine which side of the ottoman is to face the joining chair as well as if it will overlap the left or right arm (looking at the front of the joining chair)

The following instructions will show overlapping a left arm.

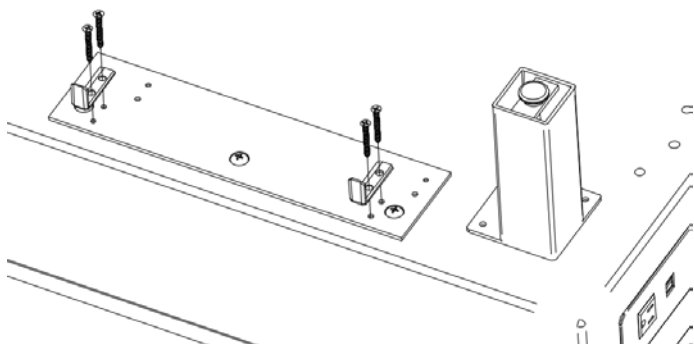
- 4 On the side that will face the chair, install the MDF mounting piece (note orientation) using the 3/4" long bolts. Use the correct insert nuts in the ottoman for your application.





620-31330T Ganging Assembly Instructions

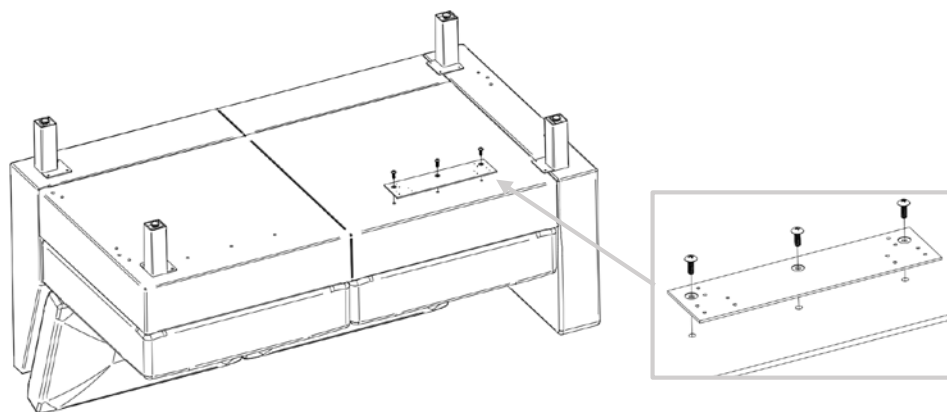
- 5** Next fasten the 'L' Brackets to the mounting piece as shown. Use the #8 x 1-1/2" long screws.



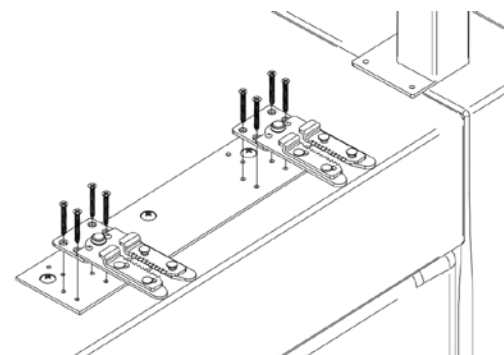
- 6** Flip the ottoman back over. This unit is ready for ganging.

- 7** Flip the chair the ottoman is ganging to onto its back.

- 8** Screw the MDF mounting piece to the desired location on the chair as shown (insert nuts are installed in the chair). Use the 3/4" long bolts to attach this piece. (Note orientation)



- 9** Attach the 2-prong ganging bracket using the #8 x 1-1/2" long screws.



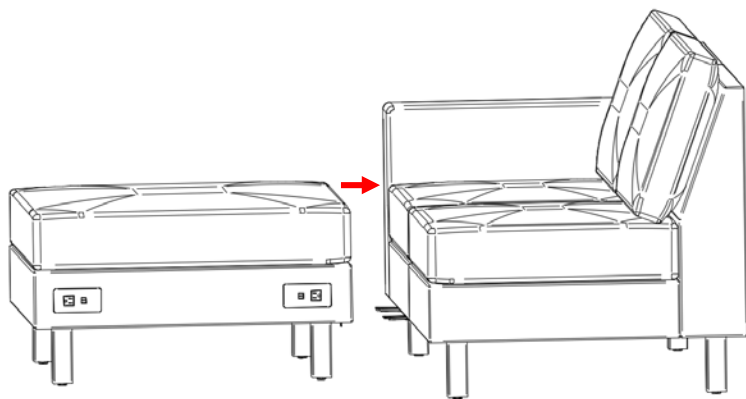
Note: Images shown are for clarity purposes only and may not match the units that you are currently ganging together.



620-31330T Ganging Assembly Instructions

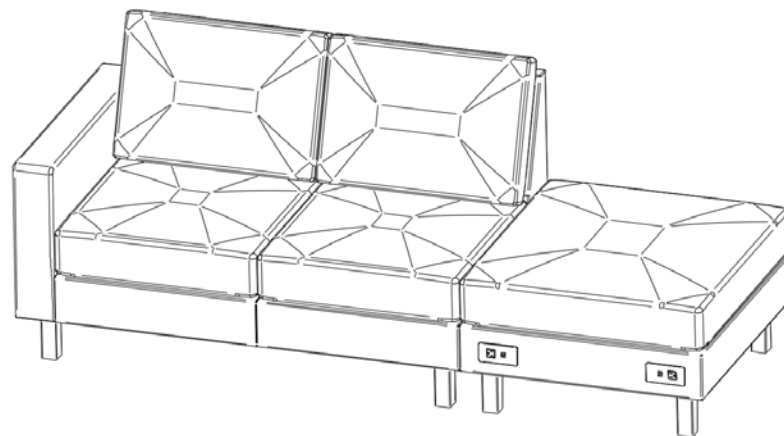
10 Rotate the ganging chair back upright.

11 Align the ottoman and the ganging chair together and push the two units together until there is no gap between them.



12 Assembly of this configuration is complete.

Side (33" Side) Application:



2 Start by flipping over the ottoman unit.

3 Determine which side of the ottoman is to face the joining chair. (looking at the front of the joining chair)

The following instructions will show it ganging to the right side.

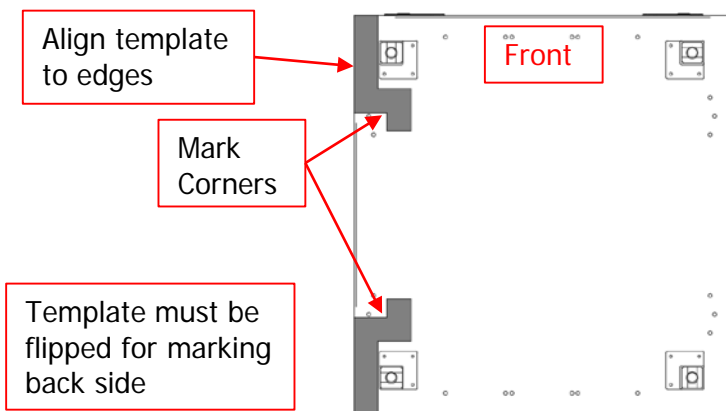
4 Print out the templates on Pages #6-7. Make sure they measure to the correct size on the template.

Note: Images shown are for clarity purposes only and may not match the units that you are currently ganging together.

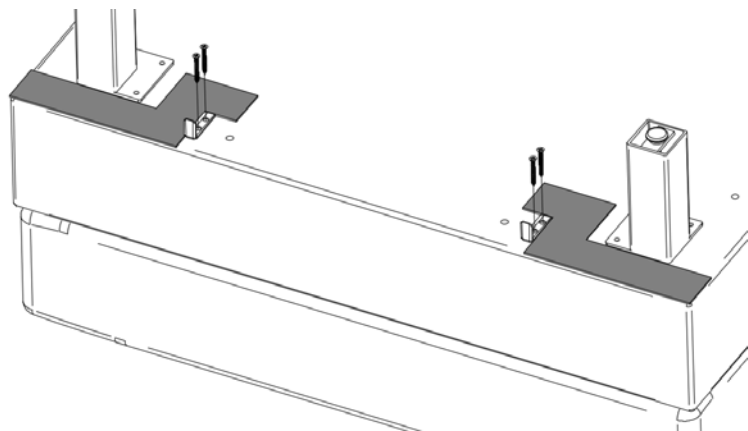


620-31330T Ganging Assembly Instructions

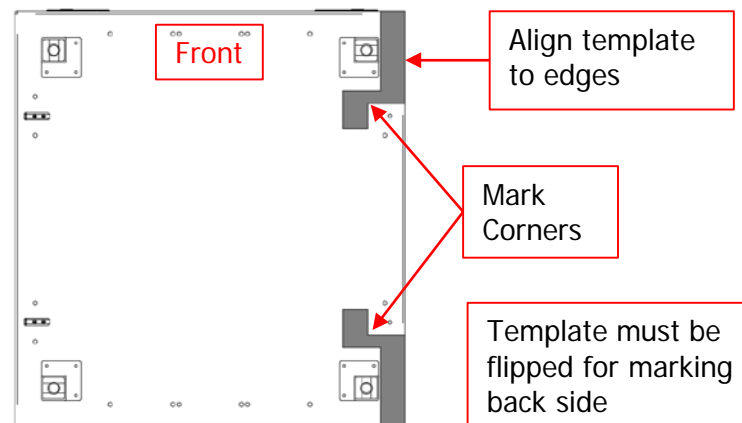
- 5 Use the 'L' Bracket paper template to mark the bottom left side of the chair for the location of the metal 'L' bracket.



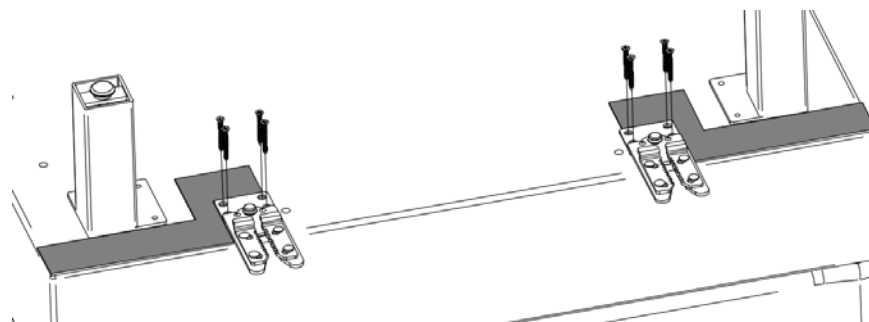
- 6 Position the metal 'L' bracket to the lines drawn and attach it with the #8 x 1-1/2" screws.



- 7 Use the '2-prong' paper template to mark the right side of the bottom for the 2-prong ganging brackets.



- 8 Attach the 2-prong ganging bracket using the #8 x 1-1/2" long screws.



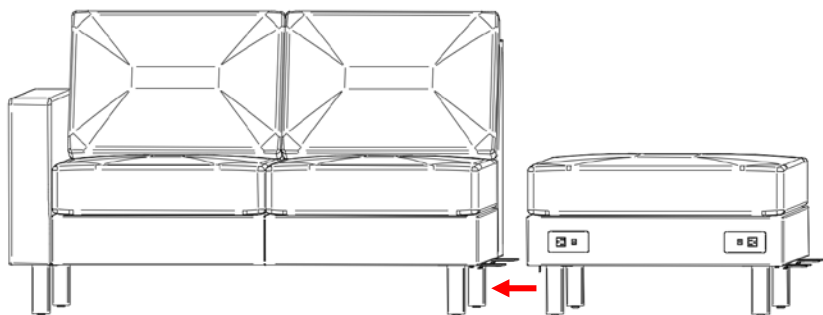


620-31330T Ganging Assembly Instructions

- 9 Rotate the Ottoman back upright. The chair the ottoman is to be ganged to should already have the appropriate hardware installed.

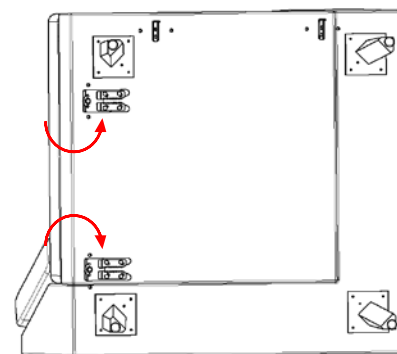
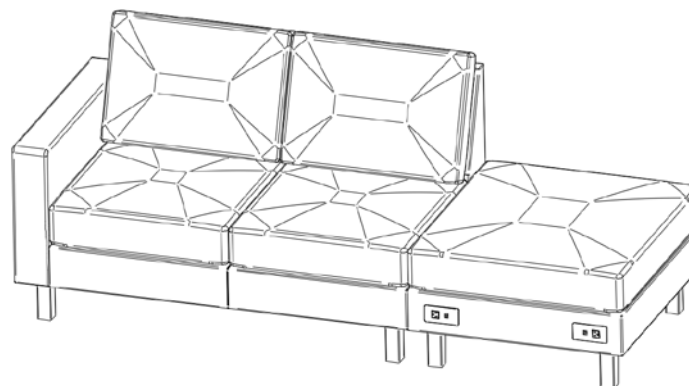
If the ottoman is to be ganged to the arm side of a chair, ganging brackets will need to be installed on the chair. (See instructions for 620-0000GB)

- 10 Align the ottoman and the ganging chair together and push the two units together until there is no gap between them.

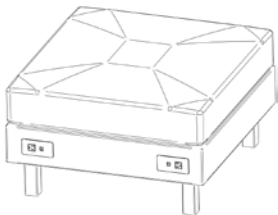


- 11 Assembly of this configuration is complete.

If ottoman is not being used in an inline application (shown here) make sure to rotate the unused 2 prong brackets to the underside of the chair.



Note: Images shown are for clarity purposes only and may not match the units that you are currently ganging together.

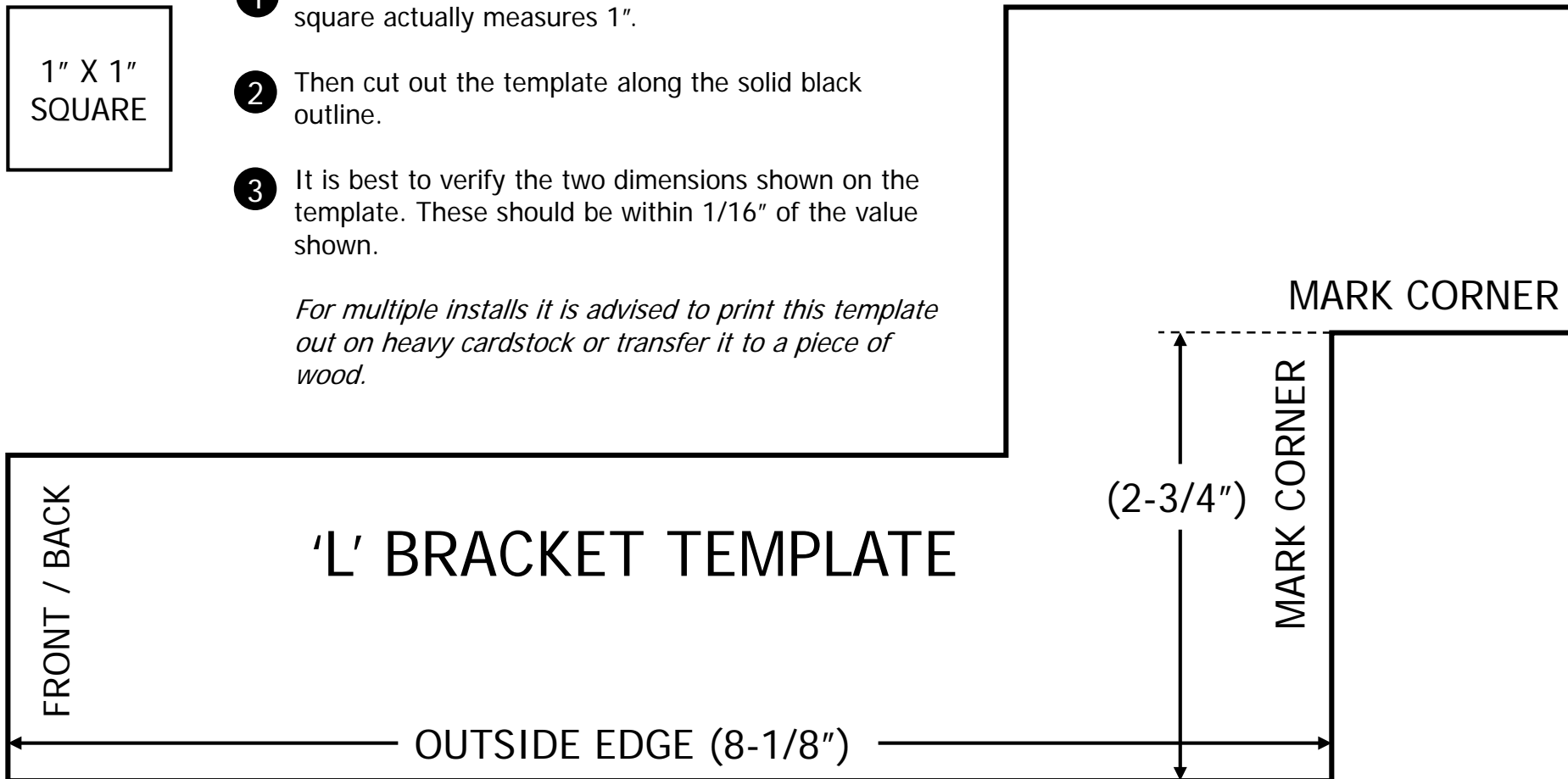


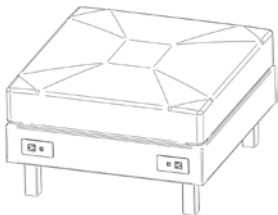
620-31330T Ganging Assembly Instructions



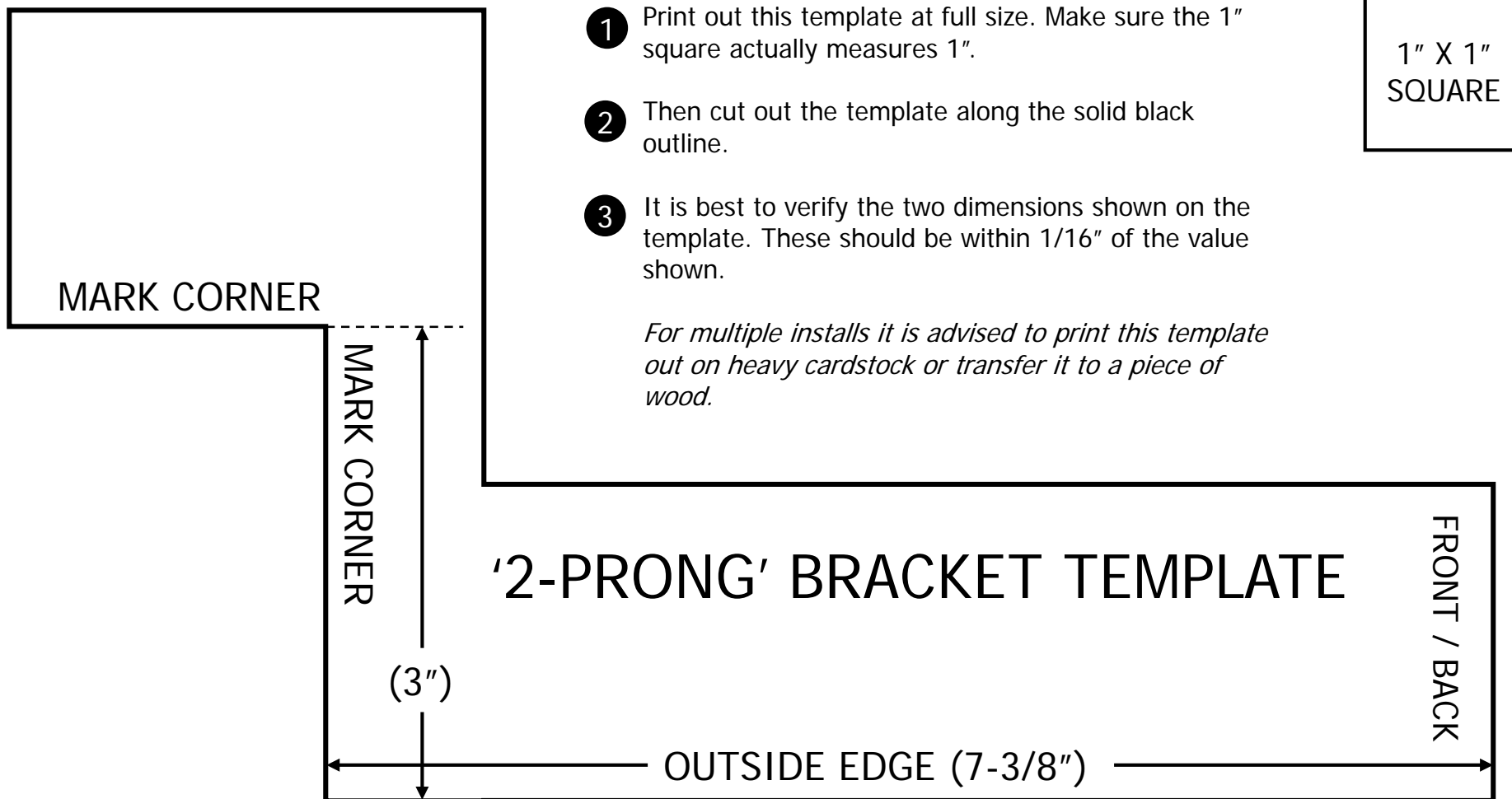
- 1 Print out this template at full size. Make sure the 1" square actually measures 1".
- 2 Then cut out the template along the solid black outline.
- 3 It is best to verify the two dimensions shown on the template. These should be within 1/16" of the value shown.

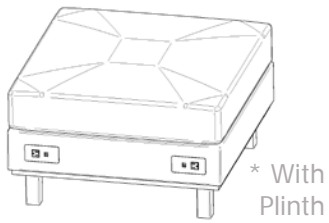
For multiple installs it is advised to print this template out on heavy cardstock or transfer it to a piece of wood.





620-31330T Ganging Assembly Instructions





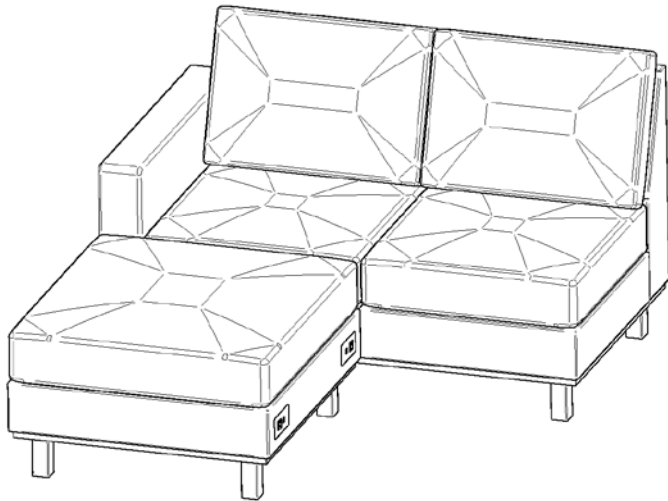
620-31330T Ganging Assembly Instructions

Units with 'Plinth' option section:

- 1 First start by figuring out the desired layout of units.

Note: These instructions are split into 2 parts based on how the ottoman can be connected. Based on the desired application, that will dictate which step #2 to start with.

Front (31" Side) Application:

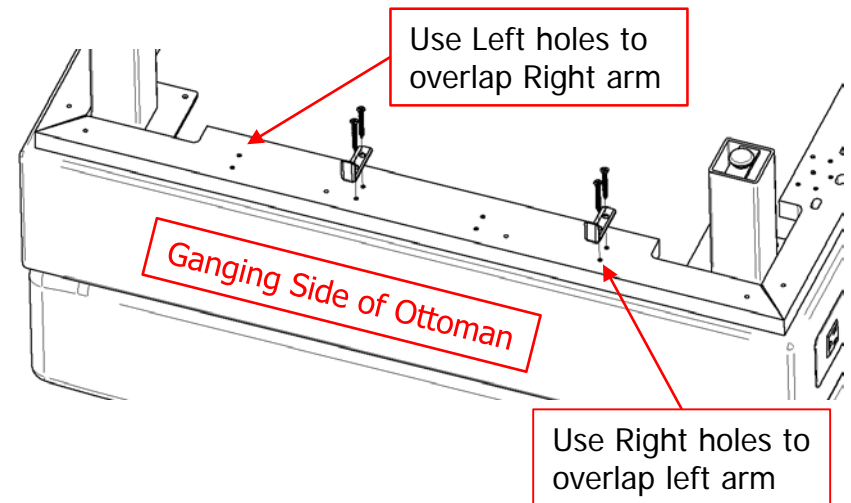


- 2 Start by flipping over the ottoman unit.

- 3 Determine which side of the ottoman is to face the joining chair as well as if it will overlap the left or right arm (looking at the front of the joining chair)

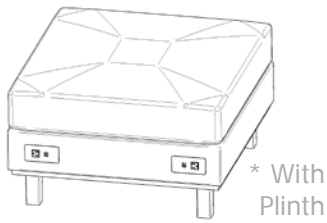
The following instructions will show overlapping a left arm.

- 4 Attach the 'L' brackets to the appropriate holes in the plinth for your configuration. Use the #8 x 1-1/2" long screws to attach the brackets.



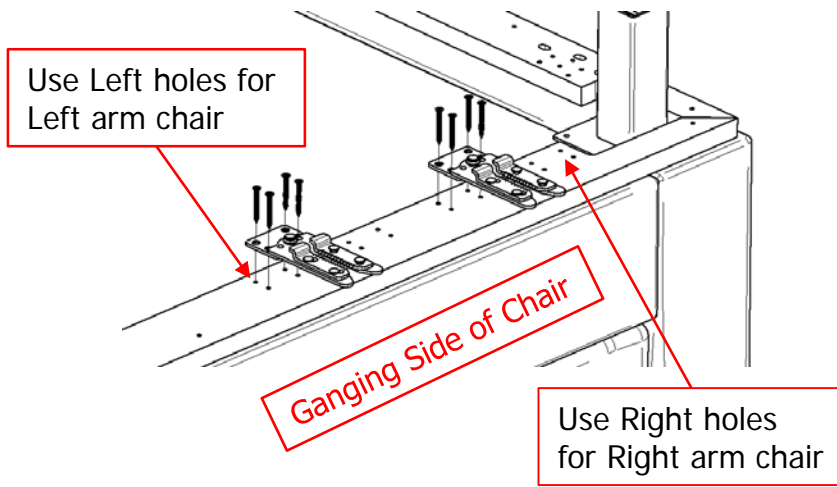
- 5 Flip the ottoman back upright and flip over the unit the ottoman is ganging to.

Note: Images shown are for clarity purposes only and may not match the units that you are currently ganging together.



620-31330T Ganging Assembly Instructions

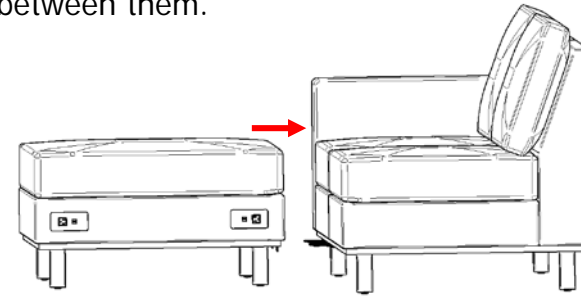
- 6** Attach the 2-prong part of the ganging brackets to the appropriate holes in the plinth for your configuration. Use the #8 x 1-1/2" long screws to install the brackets.



Note: For 2 arm chairs there will only be 1 set of holes in the plinth to mount the 2-prong brackets to.

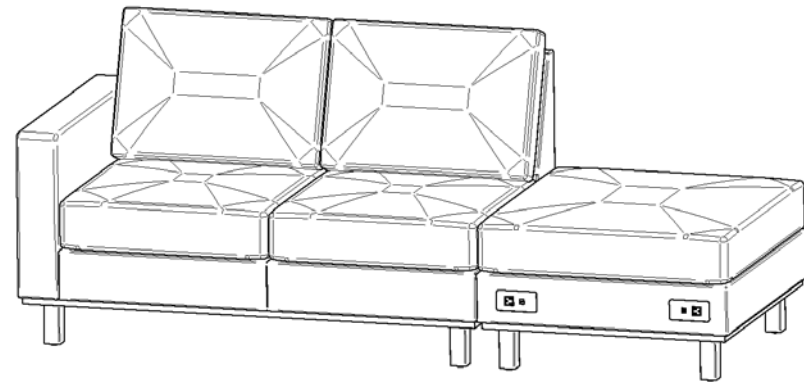
- 7** Rotate the chair back upright.

- 8** Align the ottoman and the ganging chair together and push the two units together until there is no gap between them.



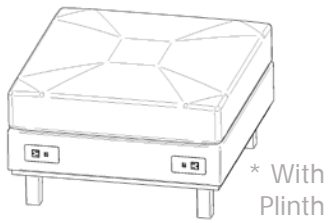
- 9** Assembly of this configuration is complete.

Side (33" Side) Application:



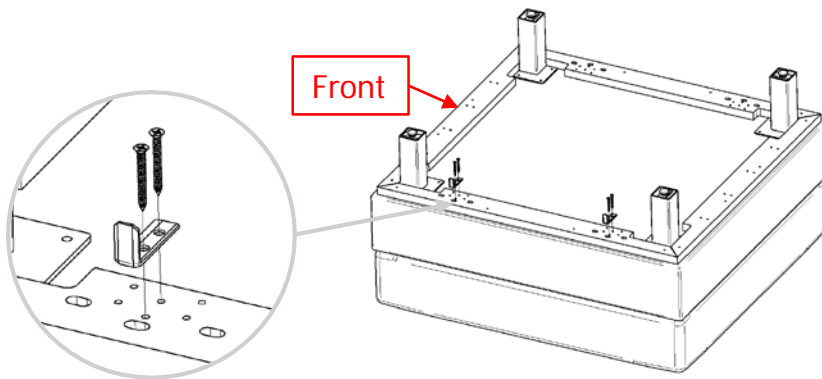
- 2** Start by flipping over the ottoman unit.

Note: Images shown are for clarity purposes only and may not match the units that you are currently ganging together.

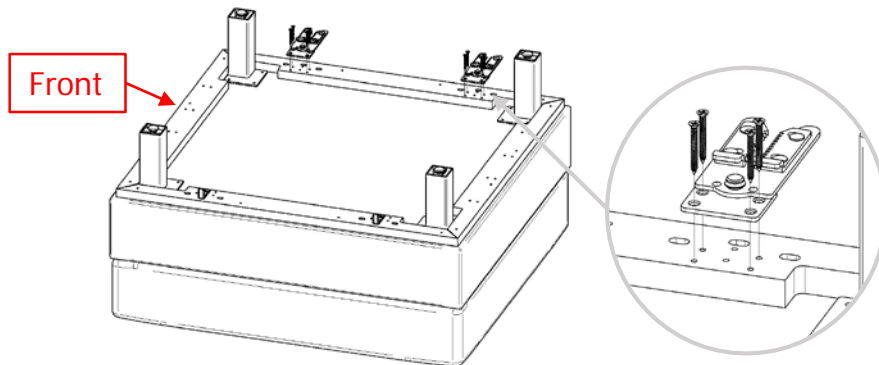


620-31330T Ganging Assembly Instructions

- 3 Attach the 'L' bracket part of the ganging brackets to the appropriate holes in the plinth on the left side. Use the #8 x 1-1/2" long screws to install the brackets.



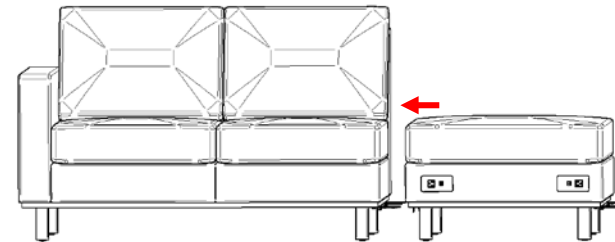
- 4 Attach the 2-prong bracket part of the ganging brackets to the appropriate holes in the plinth on the right side. Use the #8 x 1-1/2" long screws to install the brackets.



- 5 Rotate the Ottoman back upright. The chair the ottoman is to be ganged to should already have the appropriate hardware installed.

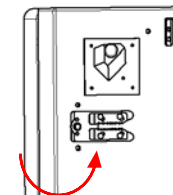
If the ottoman is to be ganged to the arm side of a chair, ganging brackets will need to be installed on the chair. (See instructions for 620-0000GB)

- 6 Align the ottoman and the ganging chair together and push the two units together until there is no gap between them.



- 7 Assembly of this configuration is complete.

If ottoman is not being used in an inline application (shown here) make sure to rotate the unused 2 prong brackets to the underside of the chair.



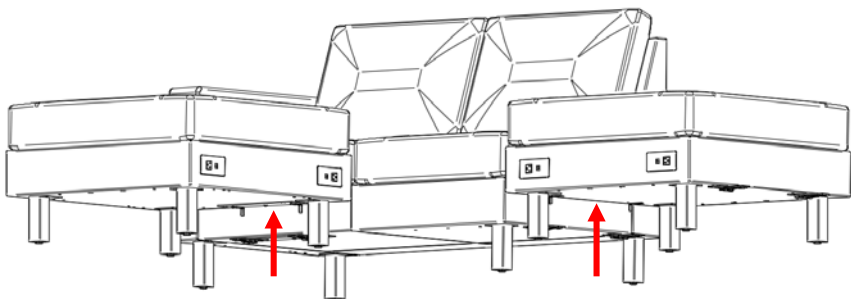
Note: Images shown are for clarity purposes only and may not match the units that you are currently ganging together.



620-31330T Ganging Disassembly Instructions

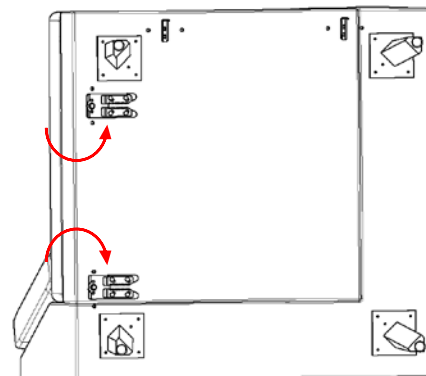
Disassembly:

- 1 To remove the ottoman from either application, lift the ottoman to disconnect it from the adjoining unit. Make sure the adjoining unit stays on the ground.



Note: You will only need to lift the ottoman approx. 2" to remove the L bracket from the 2-prong portion of the ganging bracket.

- 2 Rotate the 2-prong portion of the brackets back in. Disassembly is now complete.



Note: If the ottoman is going to be reconfigured. Hardware will need to be removed from the ottoman as well as any hardware attached to the adjoining seat. Please use the assembly instructions in the reverse order for removing the hardware.

Note: Images shown are for clarity purposes only and may not match the units that you are currently ganging together.