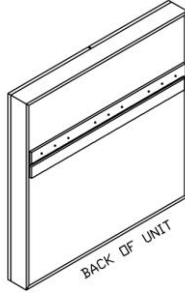


# Installation Instructions for Visual Boards

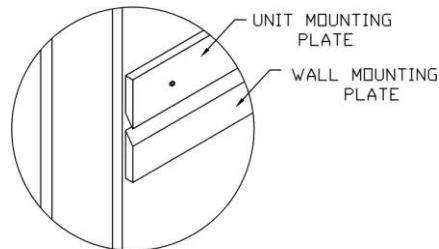
**Step 1:** The mounting plates are located on the back side of the unit.



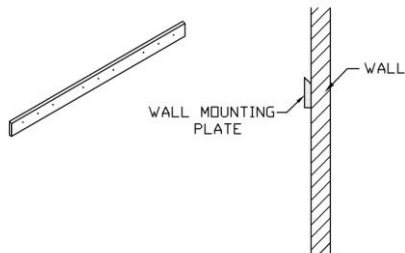
## Part List

- Unit Mounting Plate
- Wall Mounting Plate
- Attaching hardware for wall mount plate (not included)

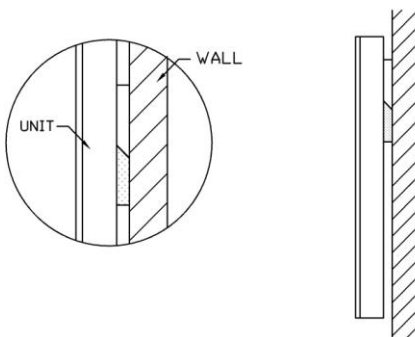
**Step 2:** Remove wall mounting plate from the back side of unit. Do not remove the unit mounting plate.



**Step 3:** Securely attach mounting plate to structure wall as shown.



**Step 4:** Hook visual board unit mounting plate to the wall mounting plate so the two wedges interlock.



## **Note:**

A building contractor should be consulted for proper installation to ensure the unit is securely fastened and does not fall causing personal injury or property damage. Indiana Furniture is not responsible for the wall structure or the field installation methods. Specific conditions at an installation site must be considered prior to determining the best method of attachment.