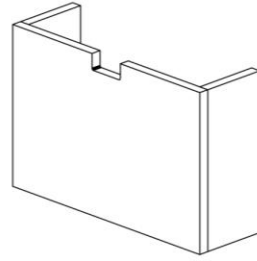


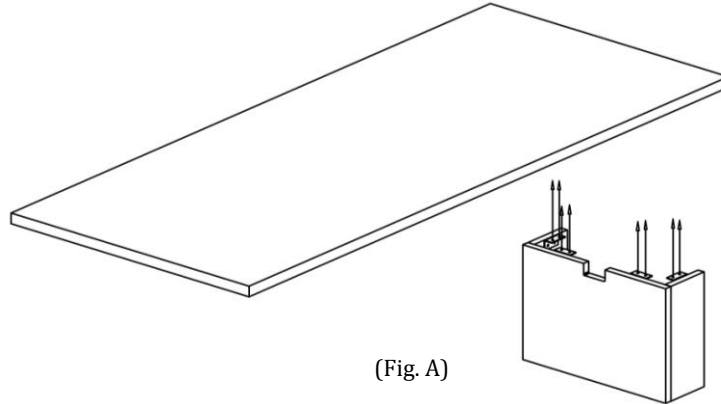
Canvas U-Support Installation Instructions

Part List

- L-Bracket & Screws
- 2 Sided Tape
- Sponge Rubber



Step 1: Using supplied L-Brackets, fasten the U-Support to the top as shown. (Fig. A)



(Fig. A)

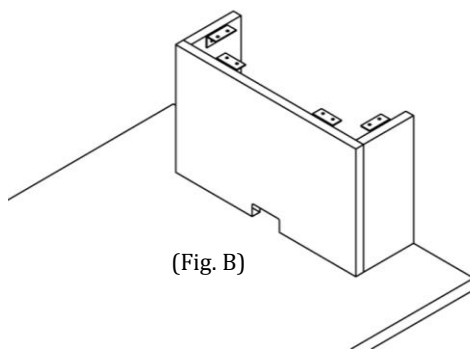
Step 2: If the table is to be used in a **fixed application**, and it is **permissible** to deface the lower work surface, use the remaining supplied L-Brackets to attach. (Fig. B)

Or

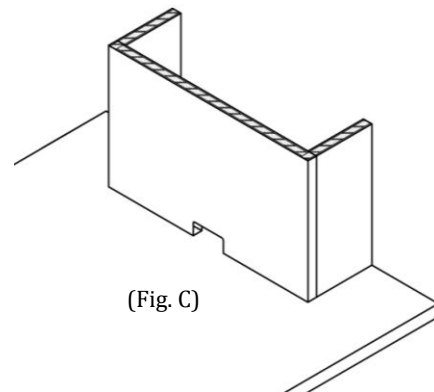
If the table is to be used in a **fixed application** and it is **not permissible** to deface the lower work surface, use the supplied 2 Sided Tape. (Fig. C)

Or

If the table is to be used in a **movable application**, use the supplied Sponge Rubber. This will allow the table to be moved but not slide when in use. (Fig. C)



(Fig. B)



(Fig. C)

Step 3: Mount the U-Support and work surface assembly on the low work surface.