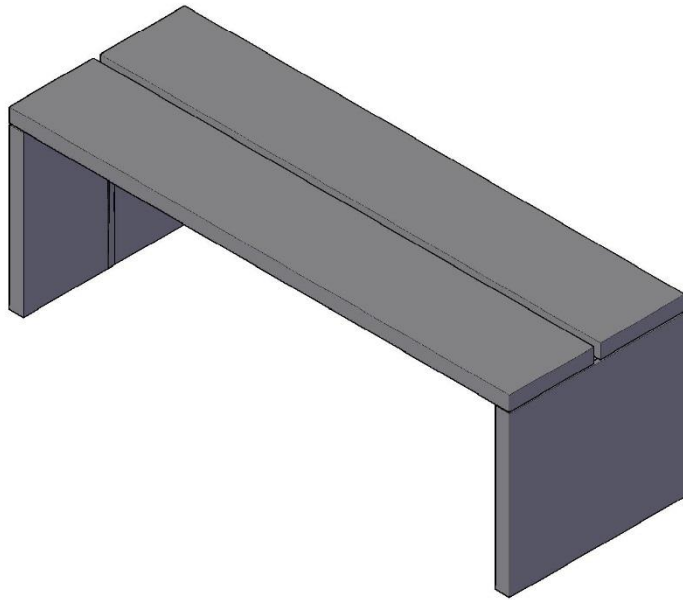


One 10: Split Top Parsons Table



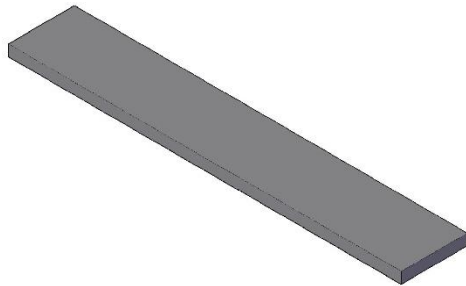
Tools Required

- (2) People
- Drill with phillips screw bit
- Level

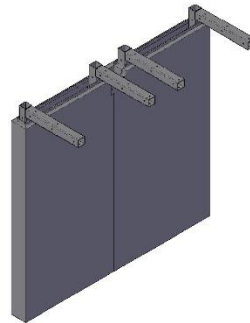
Hardware Included

- #8 x1-1/4 " Flat Head Screws (For Attaching the Tops to the Trough)
- #8 x 2" Pan Head Screws (For attaching the Tops to the black metal Support Brackets)

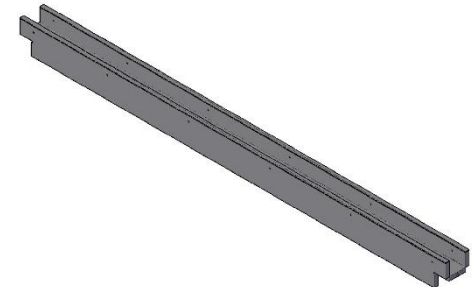
Parts List:



Qty (2) Tops

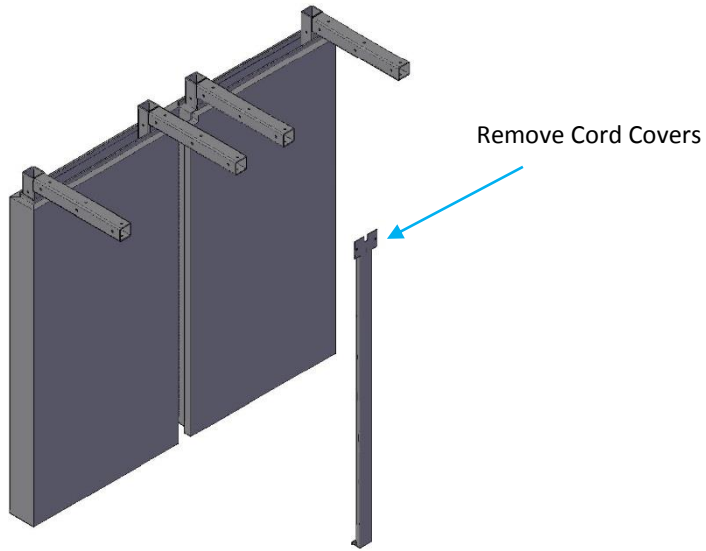


Qty (2) Ends

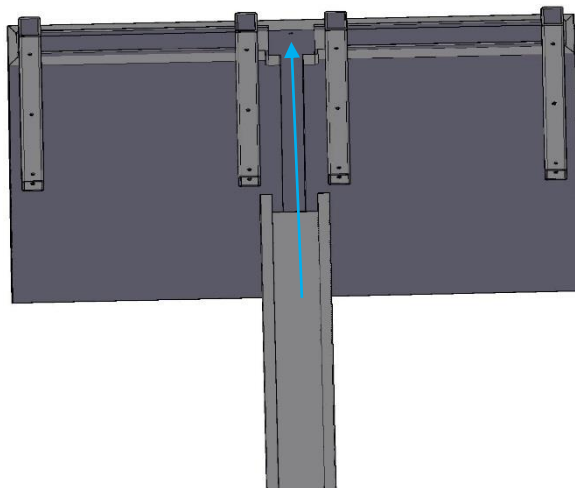


Qty (1) Trough Assembly

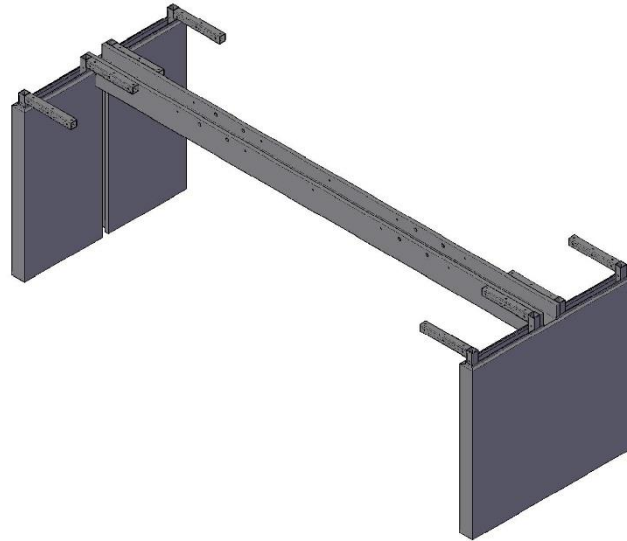
Step 1: Remove the metal cord covers off of the bases by unscrewing the two pan head screws on the top and set them aside



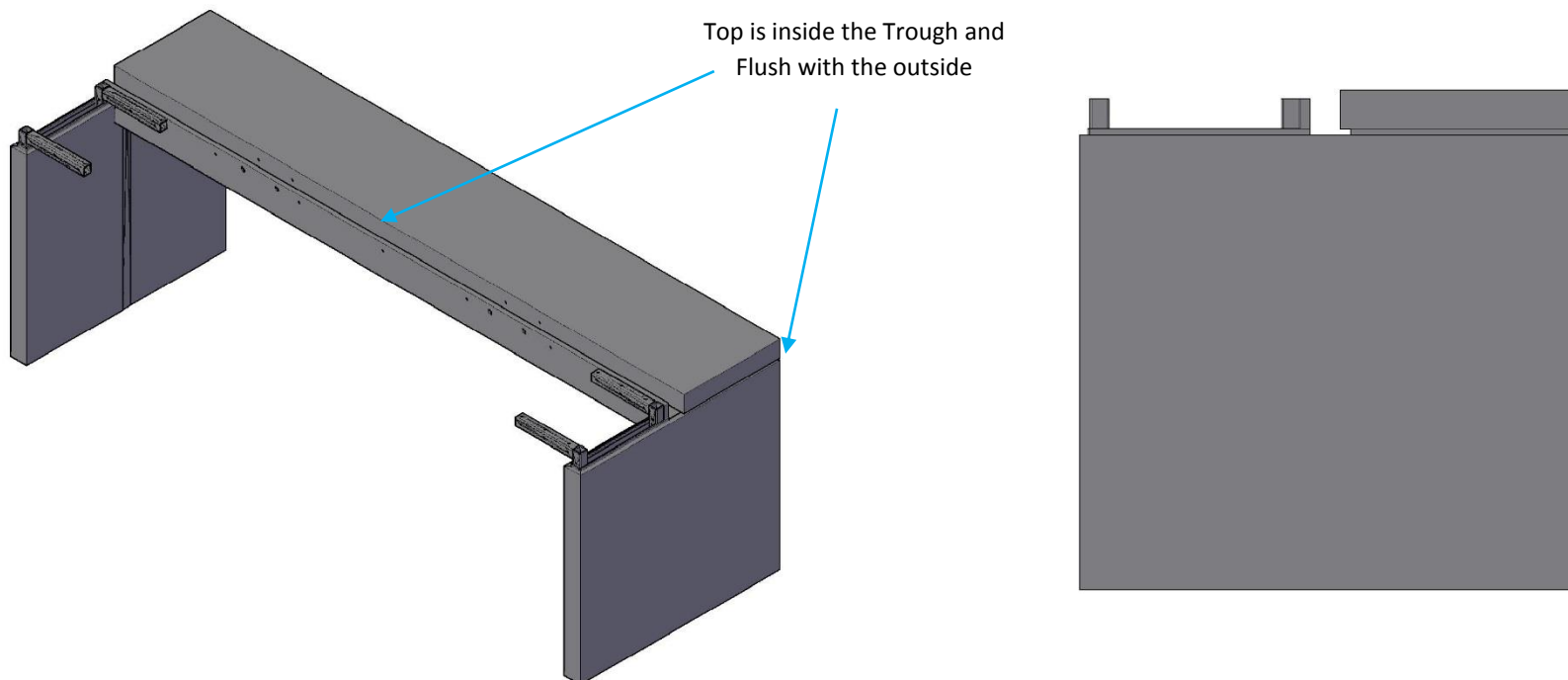
Step 2: Using the Post and Cam placement guides, place one end of the Trough into the post located on the top of the End and tighten the Cam with a Phillips Screw Driver



Step 3: Repeat **Step 2** on the remaining End, while keeping the Trough Assembly and the Ends Square with respect to each other.



Step 4: Place (1) Top on the assembly and fasten to the black metal Support Brackets using the #8 x 2" Pan Head Screws **Note: the Top is placed on the inside of the trough and is flush with the ends. Be sure to push the top all the way down prior to fastening)** Next, fasten the top to the trough using the pre-marked holes in the Trough and the #8 x 1-1/4" Flat head screws.



Step 5: Repeat **Step 4** for the remaining Top. Next (*if power modules were ordered with the table*), insert power modules and fasten per the provided instructions in the Power Module box. Now, route cords thru the acces cut out in the Ends and re-install the Metal Cord Covers from **Step 1**

