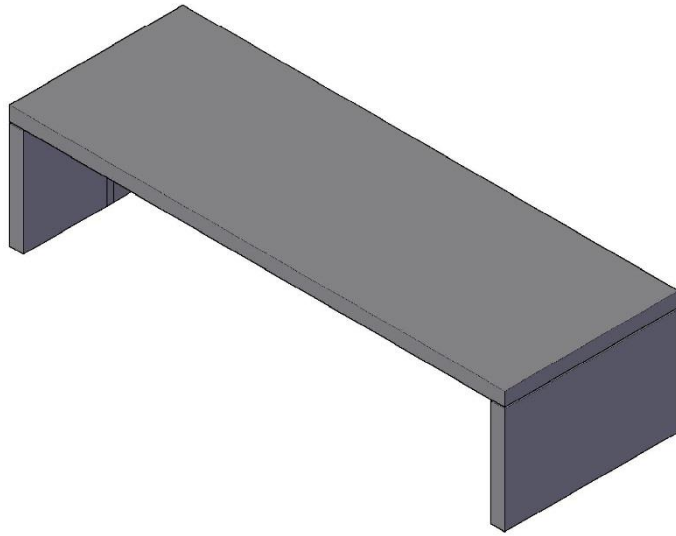


## One 10: Full Top Parsons Table



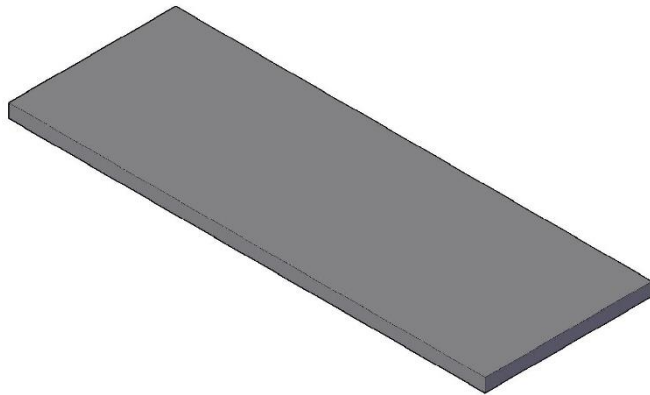
### Tools Required

- (2) People
- Drill with phillips screw bit
- Level

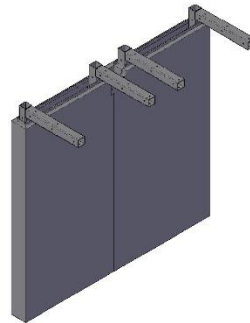
### Hardware Included

- #6 X 5/8" Pan Head Screws (For attaching L-Brackets to secure Top to the Trough)
- #8 x 2" Pan Head Screws (For attaching the Tops to the black metal Support Brackets)
- 2" L-Brackets (For Attaching trough to the Top)

### Parts List:



Qty (1) Top

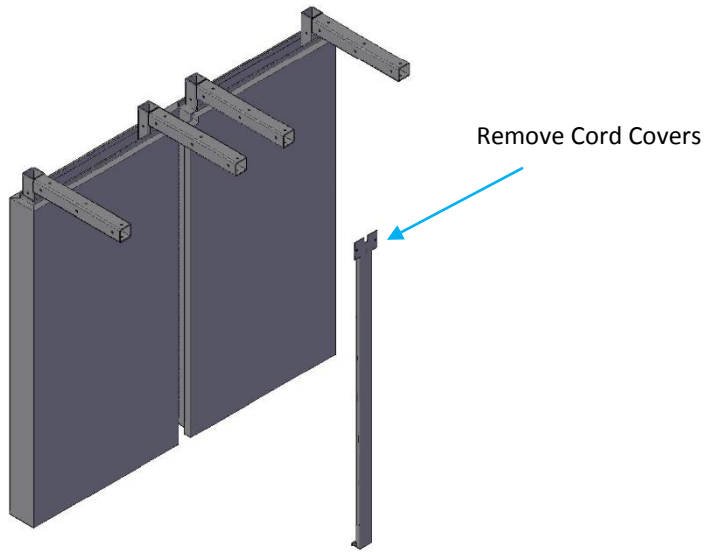


Qty (2) Ends

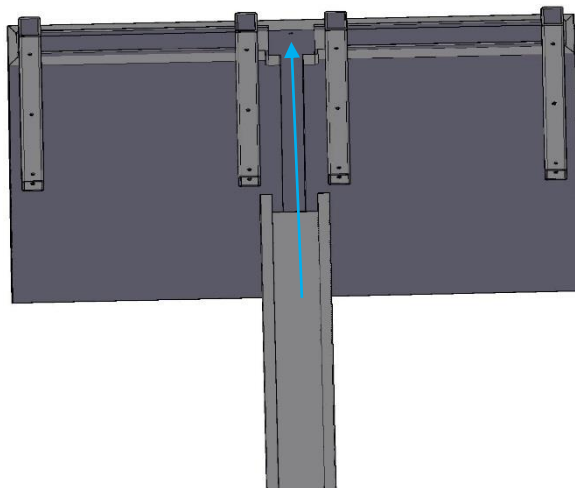


Qty (1) Trough Assembly

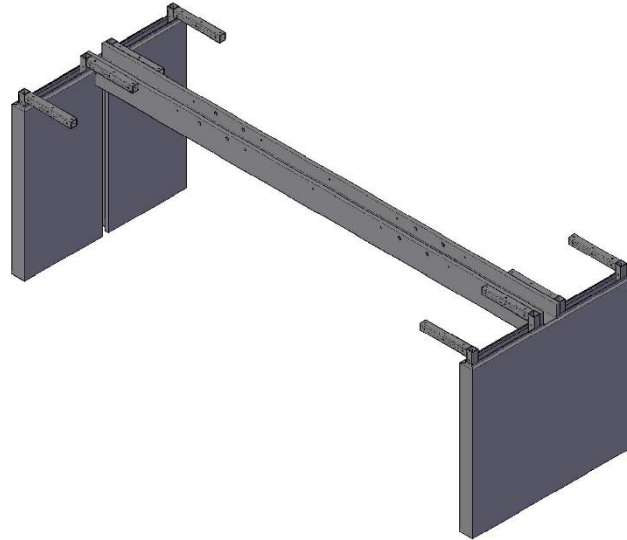
**Step 1:** Remove the metal cord covers off of the bases by unscrewing the two pan head screws on the top and set them aside



**Step 2:** Using the Post and Cam placement guides, place one end of the Trough into the post located on the top of the End and tighten the Cam with a Phillips Screw Driver



**Step 3:** Repeat **Step 2** on the remaining End, while keeping the Trough Assembly and the Ends Square with respect to each other.



**Step 4:** Place the Top on the assembly and fasten to the black metal Support Brackets using the #8 x 2" Pan Head Screws **Note: Be sure to push the top all the way down prior to fastening)** Next, fasten the top to the trough using the supplied 2" L-Brackets and the #6 X 5/8" Pan Head Screws. Next re-install the Metal Cord Covers from **Step 1**

