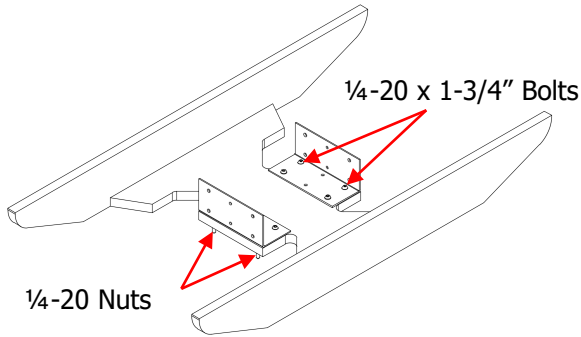
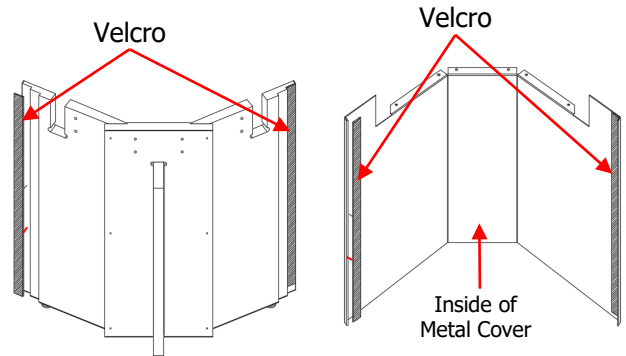


# 96-2711BL – Blade Base Set with Stretchers Assembly Instructions

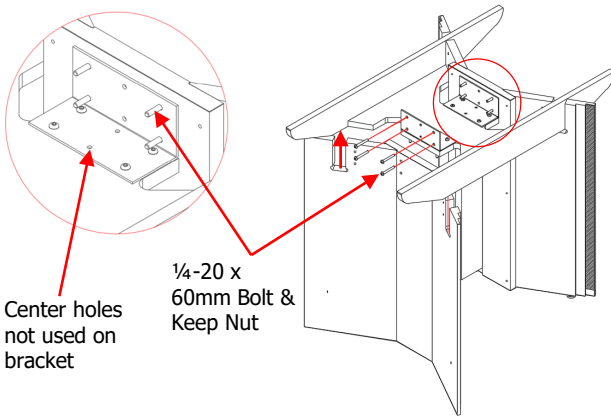
- 1** Attach the two 6.5" L brackets to the trough with 1/4-20 x 1-3/4" Bolts (qty 8) and 1/4-20 Hex Nuts (qty 8).



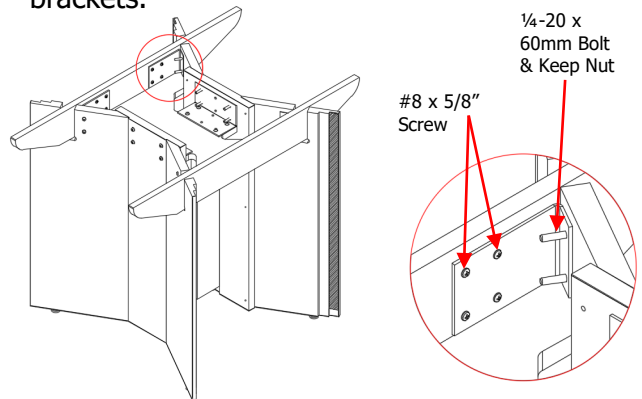
- 2** Attach Velcro strips to the edges of the wood blade base and metal cover as shown.



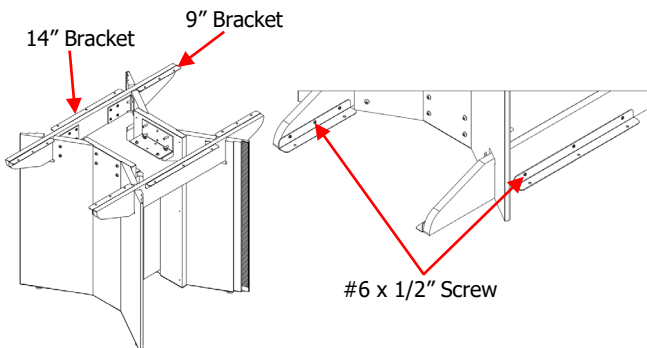
- 3** Slide the bases into the trough and connect with 1/4-20 x 60mm bolts and keep nuts (qty 8).



- 4** Install corner brackets using 1/4-20 x 60mm bolts and keep nuts (qty 2), as well as #8 x 5/8" screws (qty 4) per bracket. Repeat for all 4 brackets.



- 5** Install 9" L and 14" L brackets flush along top edge of the trough as shown. Use #6 x 1/2" screws (qty 18) to secure brackets to the trough.



- 6** Install the metal base covers using the #6 x 1/2" screws (qty 12). Make sure the Velcro strips lock together. The base can now be secured to a top using the remaining #6 x 1/2" screws (qty 18) and unused holes in the L brackets.

