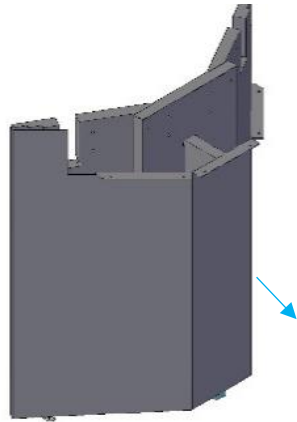
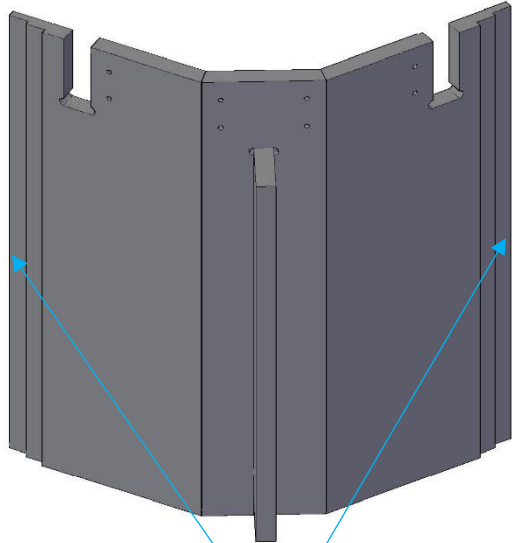
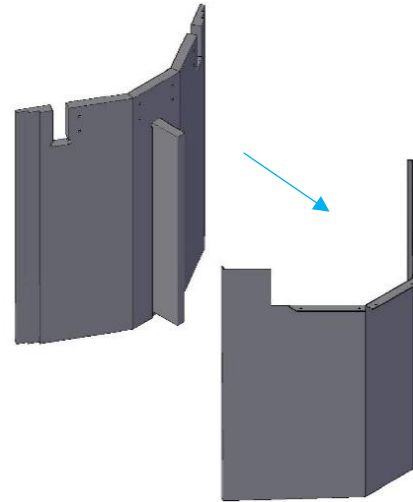


Step 1: Remove the accent cover off of the bases by pulling it off. Next, Using the supplied Velcro with Self-Stick Adhesive on it, Place the Velcro on the outside of the base and on the inside of the accent cover along the length of the vertical edge

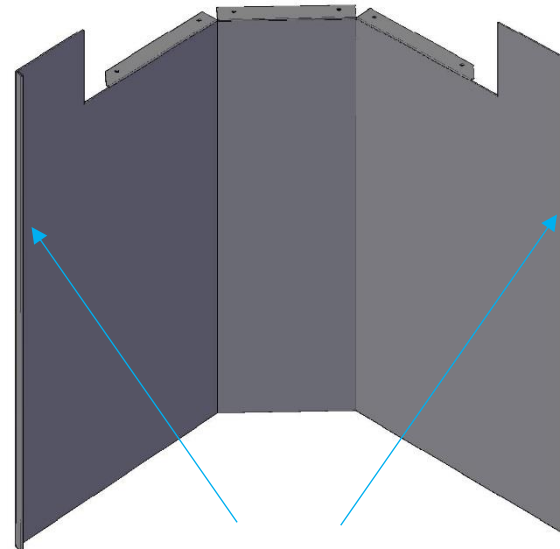
Base with Accent Cover



Base with Accent Cover Removed

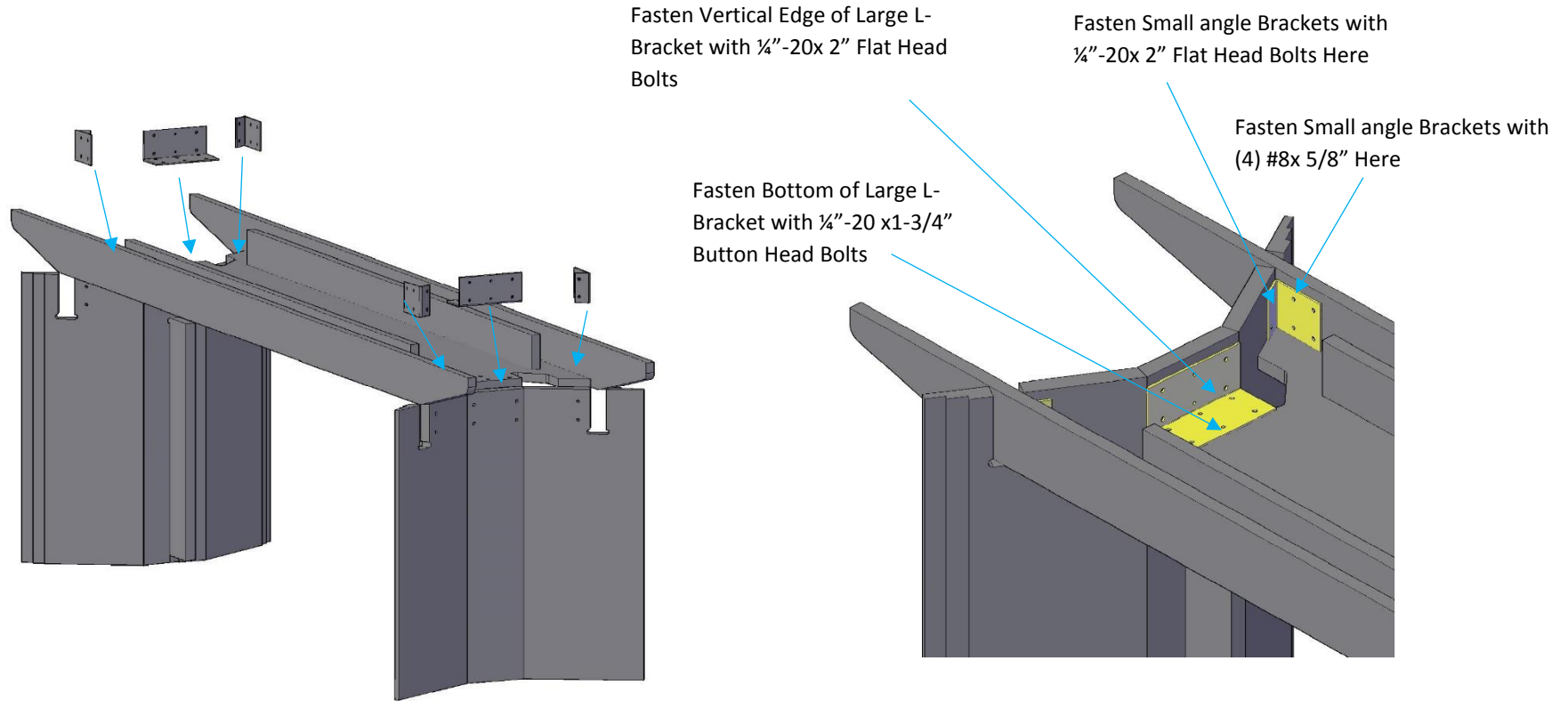


Attach Velcro here



Attach Velcro here

Step 2: Bolt together the (2) Bases to the Trough assembly using the 1/4"-20 x 2" Bolts , 1/4" -20 x 1-3/4" Bolts, 1/4"-20 Nuts, Large L-Brackets, Small Angle Brackets, and #8 x 5/8" Pan Head Screws



Step 3: Attach the Short L- Brackets and the Long L-Brackets to the Trough using the Silver #6 x 1/2 Pan Head Screws

