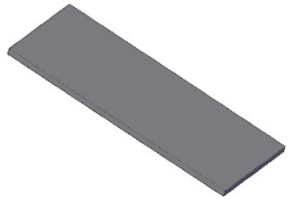
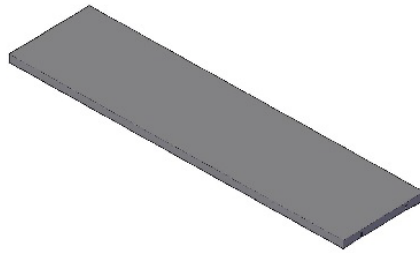


## Blade One 10: 5 Piece Conference Table Assembly Instructions 144" to 192" Lengths

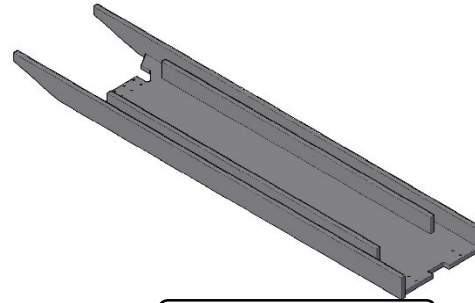
### Parts List:



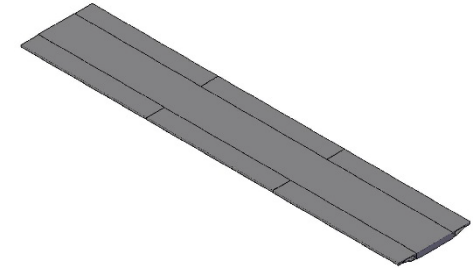
Qty (3) Short Tops



Qty (4) Long Tops



Qty (2) Trough Assembly



Qty (2) Accent Covers



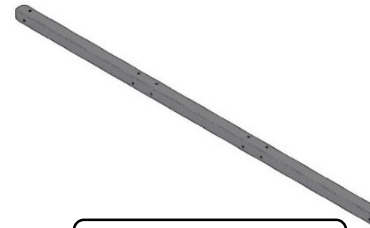
Qty (8) Jointer Plates



Qty (16) Jointer Bolts



Short L-Brackets



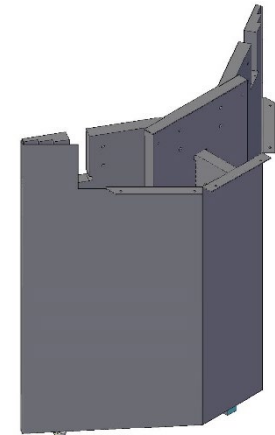
Long L-Brackets



Qty (4) Small Angle Brackets



Qty (4) Large L-Brackets



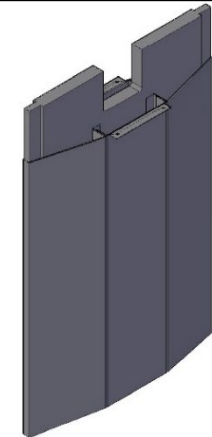
Qty (2) Bases

### Hardware Included

- Bag of #10 x 3/4" Pan Head Screws
- Bag of 1/4"-20 x 2" Bolt and 1/4"-20 Nuts
- (32) 1/4"-20 x 1-3/4" Button Head Bolt, 1/4"-20 Nuts and 1/4" Star Washers
- (16) #8 x 5/8" Pan Head Screws
- (1) 29mm Silver Polycom Grommet(Optional)
- Velcro (For Metal Base Covers)

### Tools Required

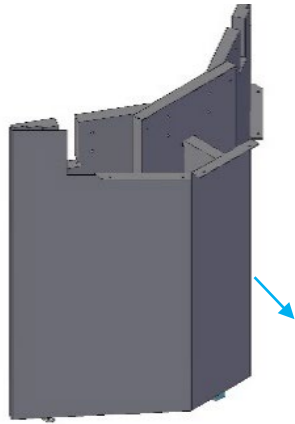
- (2) People
- Drill with phillips screw bit
- 5/32 Allen Wrench
- 5mm Allen Wrench
- 7/16" Wrench
- Level
- 1" Hole Saw Bit for Polycom Grommet (Optional)



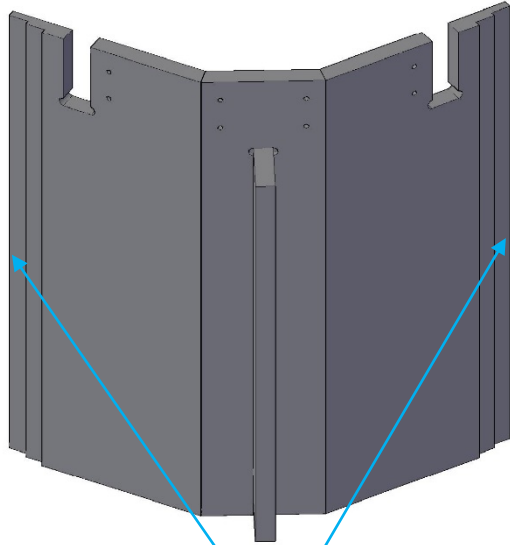
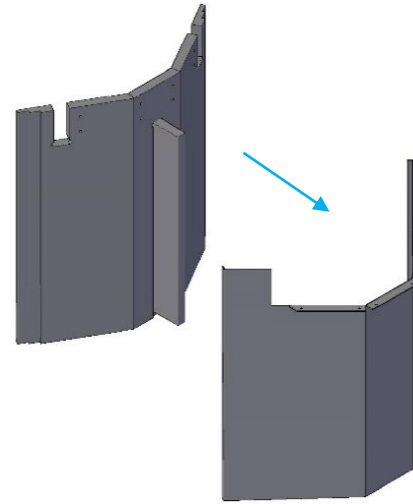
Qty (1) Mid-Base

**Step 1:** Remove the accent cover off of the bases by pulling it off. Next, Using the supplied Velcro with Self-Stick Adhesive on it, Place the Velcro on the outside of the base and on the inside of the accent cover along the length of the vertical edge

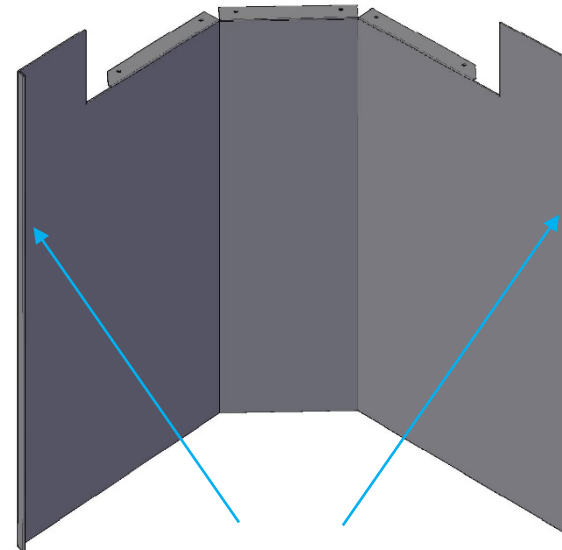
Base with Accent Cover



Base with Accent Cover Removed

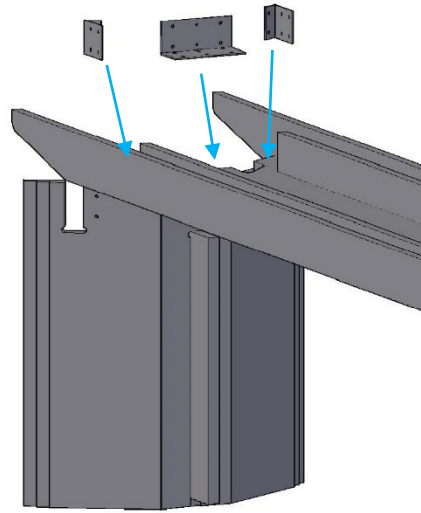


Attach Velcro here



Attach Velcro here

**Step 2:** Bolt together the (2) Bases to the Trough assembly using the 1/4"-20 x 2" Bolts , 1/4" -20 x 1-3/4" Bolts, 1/4"-20 Nuts, Large L-Brackets, Small Angle Brackets, and #8 x 5/8" Pan Head Screws

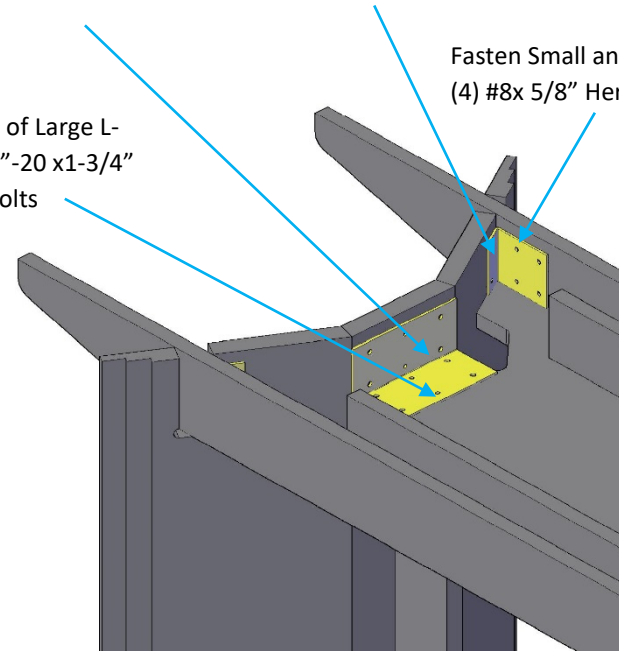


Fasten Vertical Edge of Large L-Bracket with 1/4"-20x 2" Flat Head Bolts

Fasten Small angle Brackets with 1/4"-20x 2" Flat Head Bolts Here

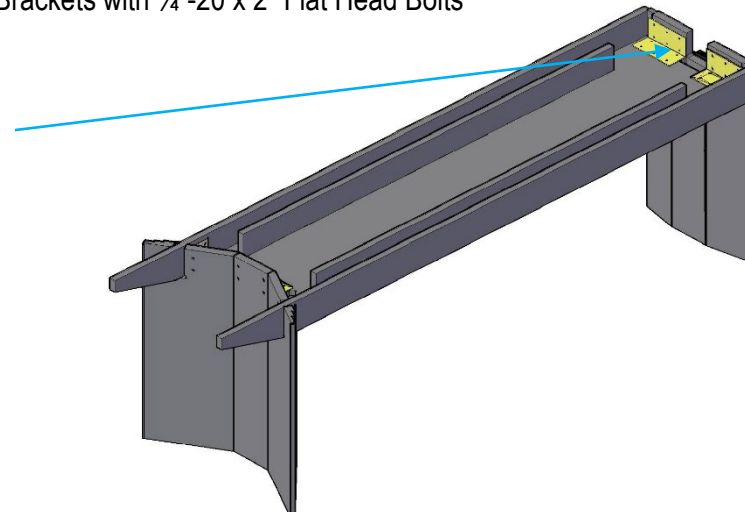
Fasten Bottom of Large L-Bracket with 1/4"-20 x1-3/4" Button Head Bolts

Fasten Small angle Brackets with (4) #8x 5/8" Here

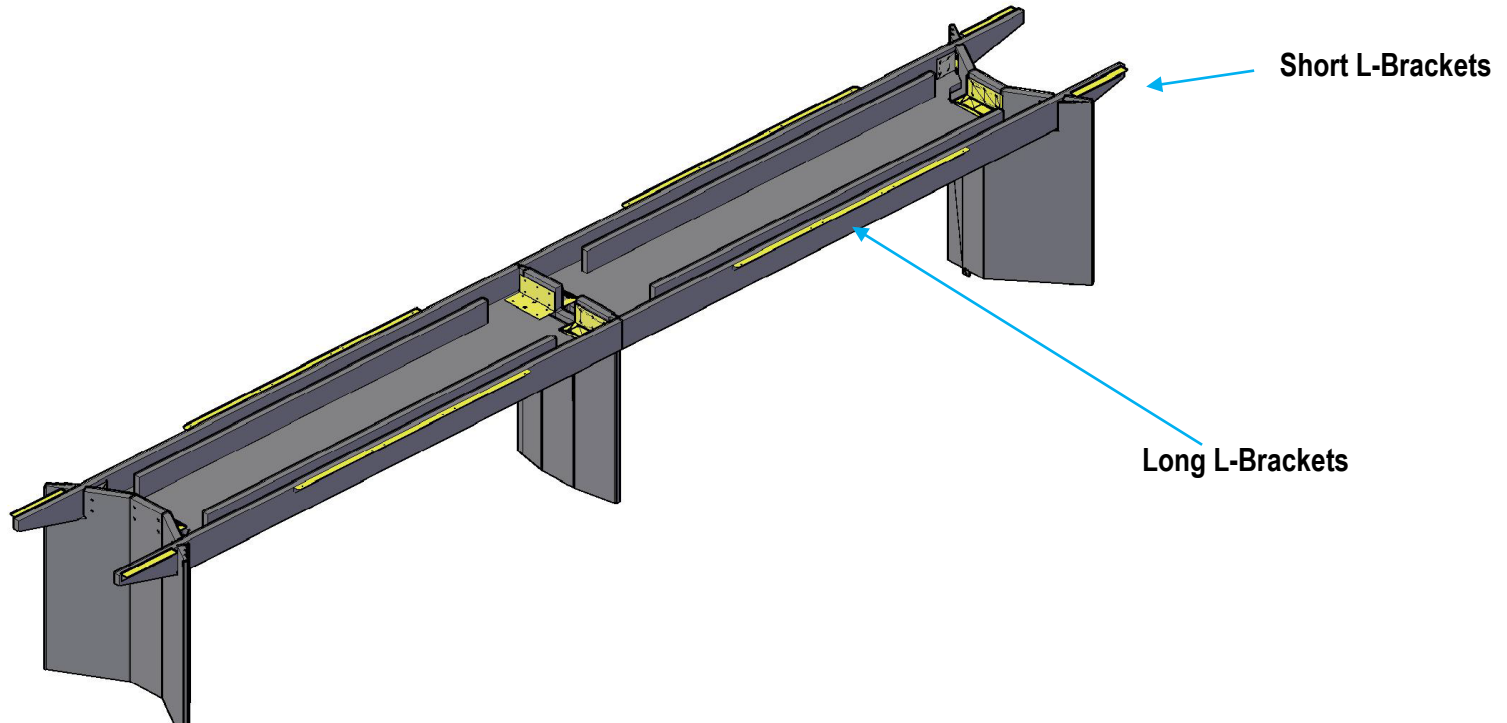


**Step 3:** Bolt together Mid base to the trough section using the Large L-Brackets with 1/4"-20 x 2" Flat Head Bolts

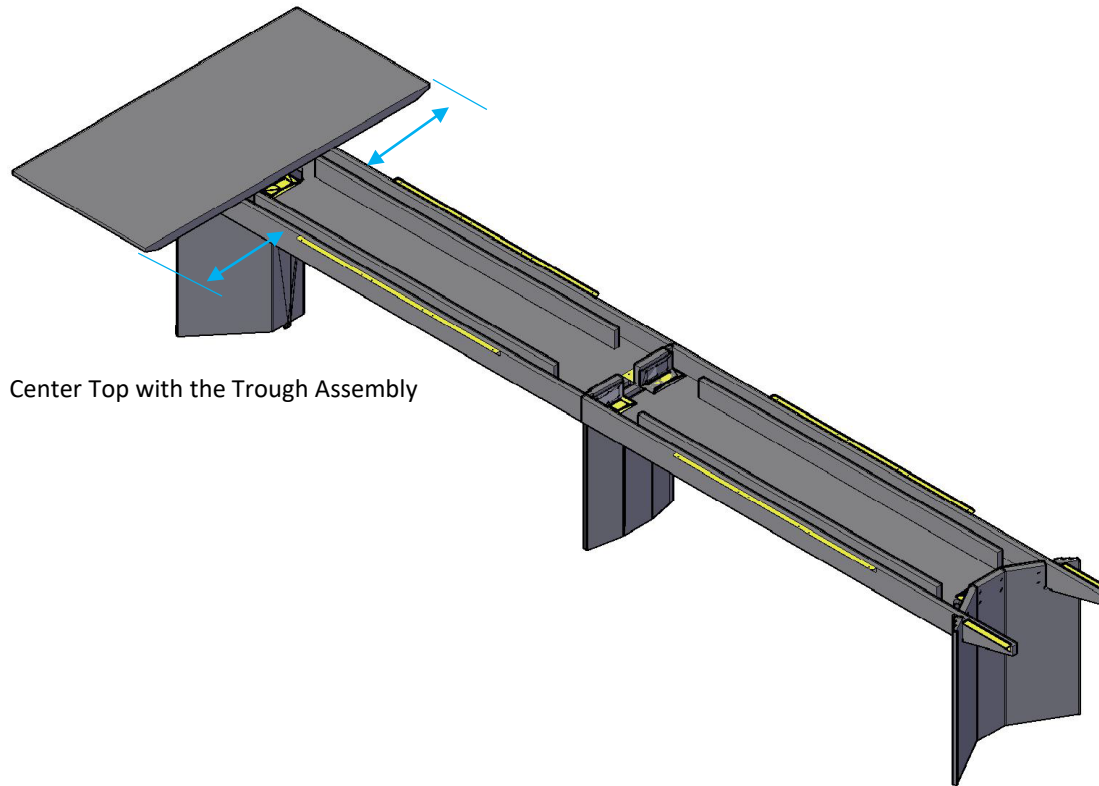
Fasten Vertical Edge of Large L-Bracket with 1/4"-20x 2" Flat Head Bolts



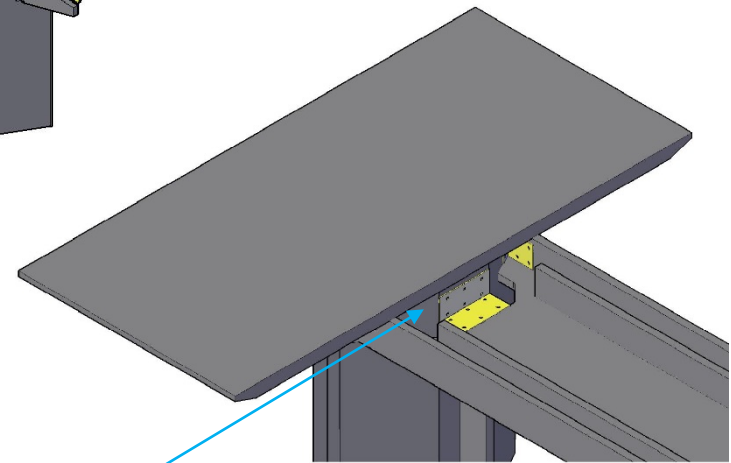
**Step 4:** Bolt together the remaining trough section to the Mid base along with the remaining Base. Also, install the Short L-Brackets and the Long L-Brackets to the trough section using the #10 x 3/4" Pan Head Screws. Evenly Spacing the Long L-Brackets.



**Step 5:** Place one short end on the end of the Trough Assembly and fasten it to the Short L-Brackets using the Silver #10 x 3/4" Pan Head Screws. Center the Top from left to right and align the Top flush with the outside of the base.

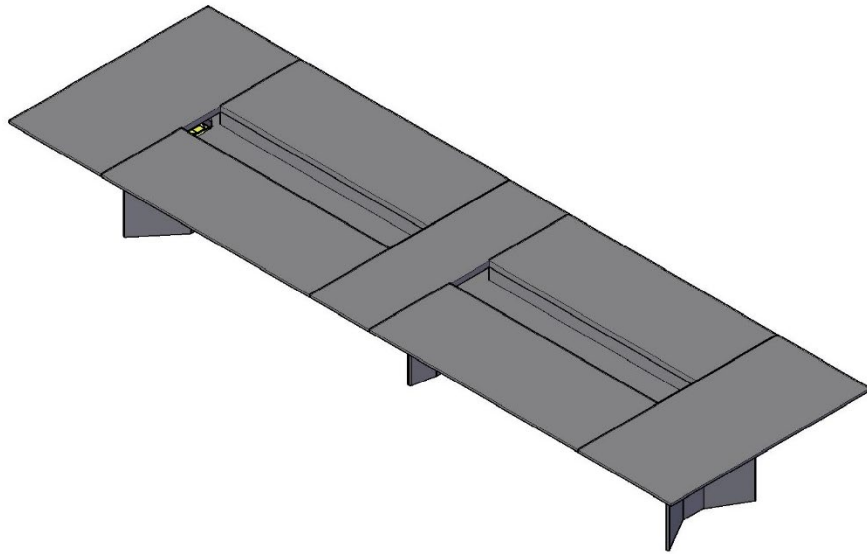


Center Top with the Trough Assembly

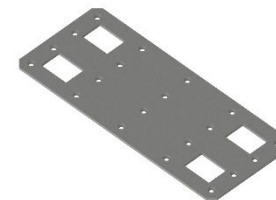


Make Top Flush with the outside of the base as shown.

**Step6:** While keeping the outside and top surfaces flush, connect the remaining tops using the 7/16" wrench and the provided Jointer Bolts. Next fasten the Jointer Plates to the Tops using #10 x 3/4" Pan Head Screws.

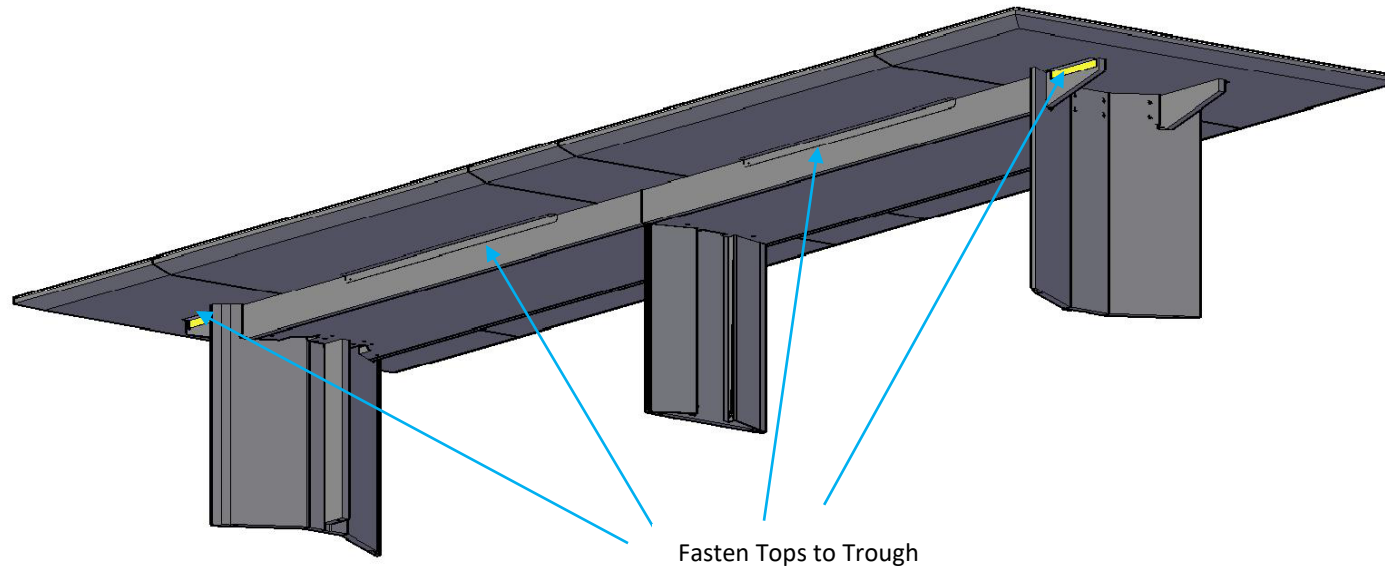


Place Jointer Bolts in 1<sup>st</sup> then Fasten the Jointer Plates

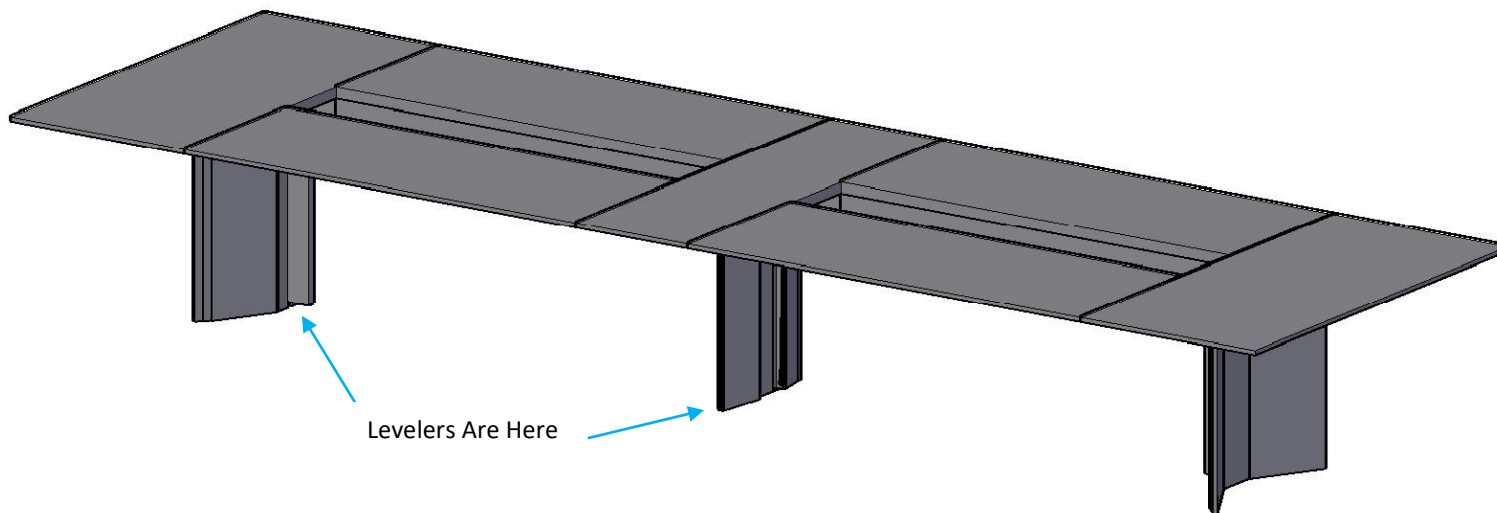


Jointer Plate

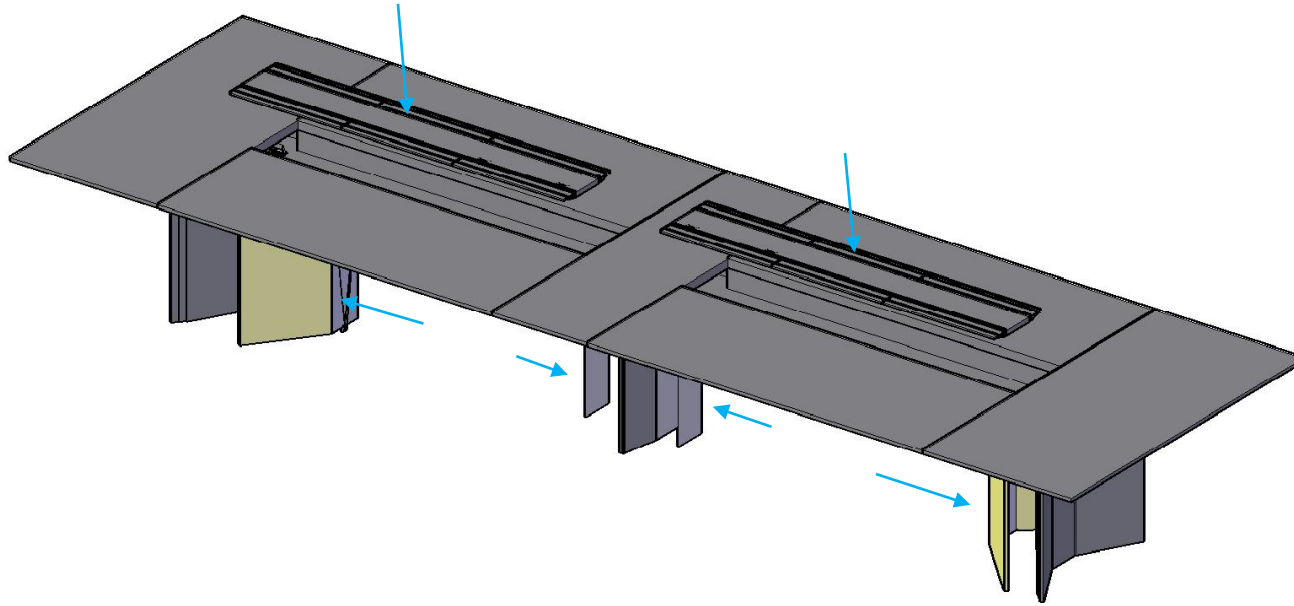
**Step 7:** Fasten the tops to the L-Brackets with the #10 x 3/4" Pan Head Screws.



**Step 8:** Level the table using the 5mm Allen Wrench. Next (If Applicable) install all power ports and route wires down the base.



**Step 8:** When the Table is completely wired, set the Accent cover on the top and install the Base Covers. Once the base covers are installed, using the Silver #10 x 3/4" screws, fasten the covers to the underside of the trough.



**Step 9 (Optional):** If you are using a Polycom in your application and need to pass a phone cable through the table proceed with the following steps: Using a 1" Hole Saw Bit, drill a hole in the Accent Cover for the Optional Silver Polycom Grommet.

