

Gallery Screen Installation Instructions 2298-66008

Parts List:

Gallery Screen

Filler Blocks

Filler Panel 66-2003EP (Sold Separate)

Screw #8 X 1 1/4 PFH DT BLACK (Comes with Filler Panel 66-2003EP)

Screw #8 X 2 1/4 PFH DT BLACK (Used when Gallery is used as a back)

Screw #8 X 1 1/2 PPH DT BLACK (Used when Gallery is used as s end)

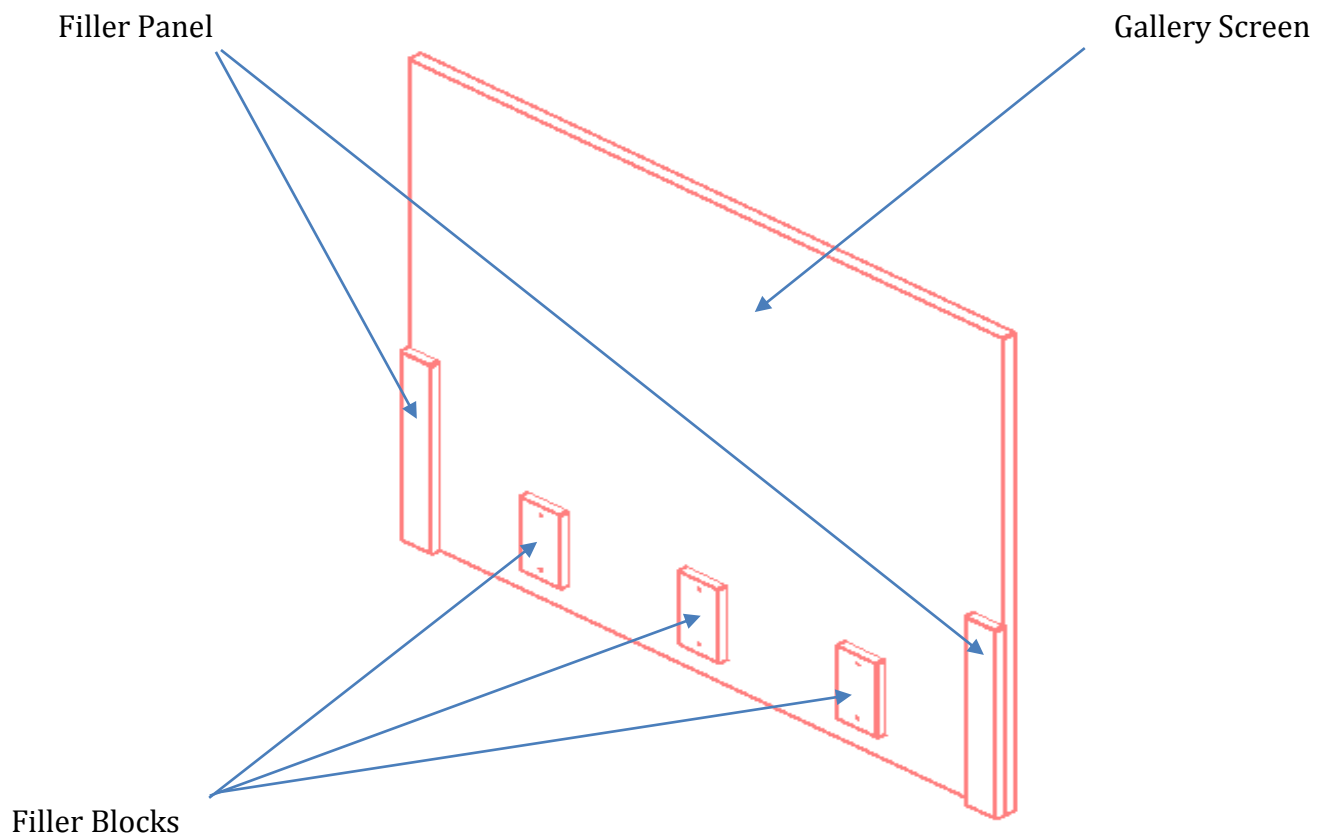
Screw #8 X 5/8 PPH DT BLACK (Used with L Brackets)

Bracket, L, 2"L X 1 X 1, 16 GA

Step 1: Screw Gallery Screen to Cabinet from the inside of the Cabinet using filler block between Cabinet and Gallery Screen. (Screw #8 X 2 1/4 PFH) Holes are provided in the back panel of cabinet.

Step 2: Insert Filler Panel (66-2003EP) to both ends and screw from inside of Cabinet back with the holes provided. (Screw #8 X 1 1/4 PFH)

Step 3: From inside of cabinet attach L Brackets from under the Top of Cabinet to Gallery Screen. (Screw #8 X 5/8 PPH)



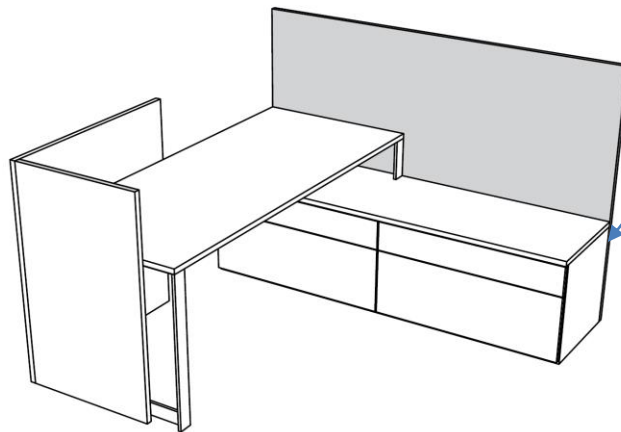
L Bracket

Gallery Screen

Cabinet Back Panel

Filler Block

Filler Panel
66-2003EP
(Required Both Ends)
(Sold Separate)



Gallery Screen used as an End

Step 1: Drill holes 3/16 Diameter through the end panels of cabinets.

Step 2: Place Gallery Screen against the side of cabinets and screw from the inside of the cabinet into the Gallery Screen. (#8 X 1 1/2 PPH)

NOTE: No Filler Panels or Filler Blocks required for this application.

