

Ganging Bracket

# KickStart Ganging | Indiana FURNITURE

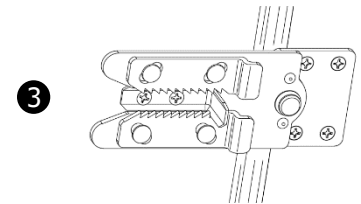
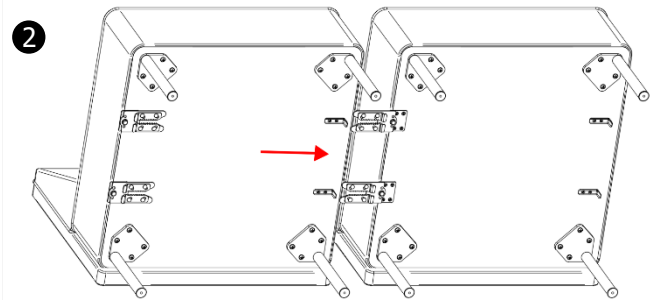
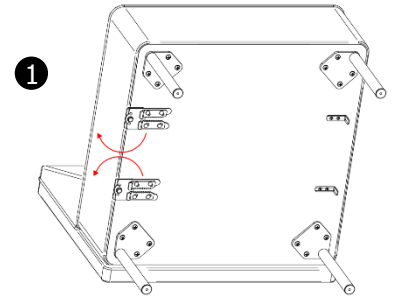
## Assembly/Disassembly Instructions

### Ganging:

- 1 Rotate out the 2 prong part of the ganging bracket one at a time on the left side of the seat.
- 2 Push together the second seat to be joined with the first seat that has the unfolded brackets.

**Note: The L brackets on the bottom right side of the second seat must align with the center of the prong brackets on the adjoining seat.**

- 3 The brackets should click as the seats are pushed together, keep pushing them until they can't get any closer together.
- 4 Repeat steps 1-3 for any additional seats.



### Separating:

- 1 Lift up on the seat to be separated while making sure the adjoining seat stays on the ground.
- 2 The seats are separated once the L brackets are clear of the 2 prong part of the ganging brackets.
- 3 Rotate the 2 prong part of the brackets back into place, one at a time.
- 4 Repeat steps 1-3 for any additional seats.

