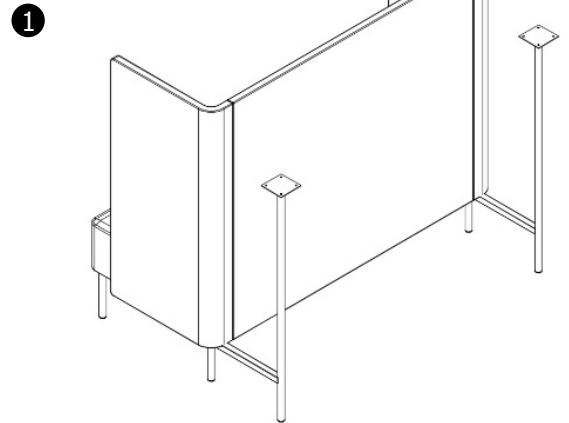


# KickStart Bistro Table | Indiana FURNITURE

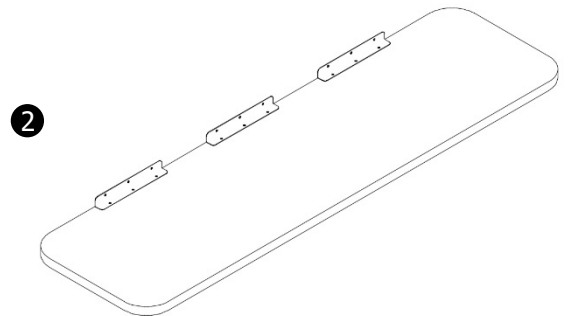
## Assembly Instructions

Note: The 550-1657BTH model is designed to be used in conjunction with 5502H and the 550-1681BTH model is designed to be used in conjunction with 5503H.

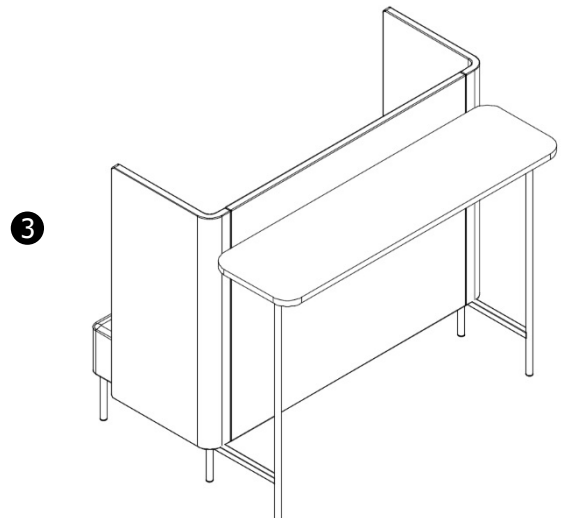
- 1 Attach the 2299-01663 leg to the rear of the 5502H or 5503H using 2202-01201 - #12 x 1 PPH Screws



- 2 Attach 2209-01109A to the underside of the table top using 2202-01078 - #10 x 7/8 PPH Screws using the peck holes for screw placement if not already attached



- 3 Place table top onto the 2299-01663 legs and center with seat. Attach the legs to the top using the 2202-01201 screws and attach the 2209-01009A brackets to the seat using the 2202-01078.



- 4 The Bistro table should now be securely installed.