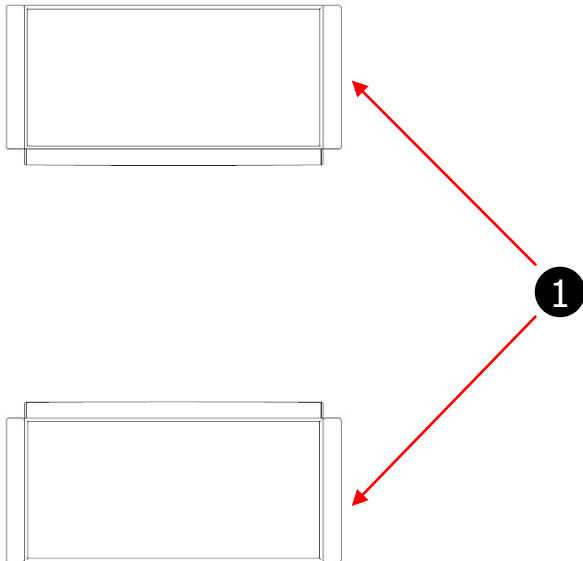




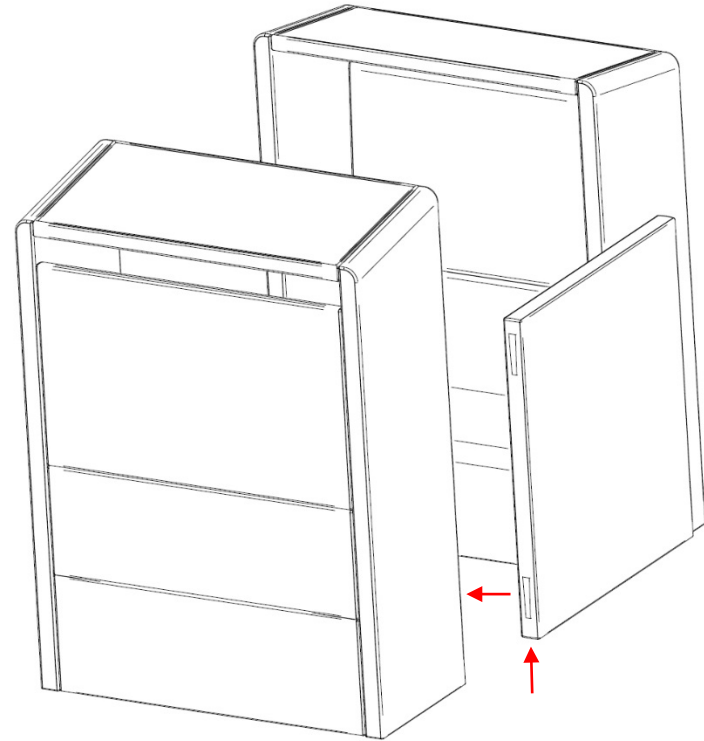
## Center Panel/Booth Assembly Instructions

- 1 Align the end of the Pods that will receive the Center Panel.

43" Panel – Place seats approx. 38.5" apart  
49" Panel – Place seats approx. 44.5" apart



- 2 Place Center Panel approx. 6" away from Pods. Lift Center Panel 8" – 12" off ground and move panel so that it touches the 2 Pods.

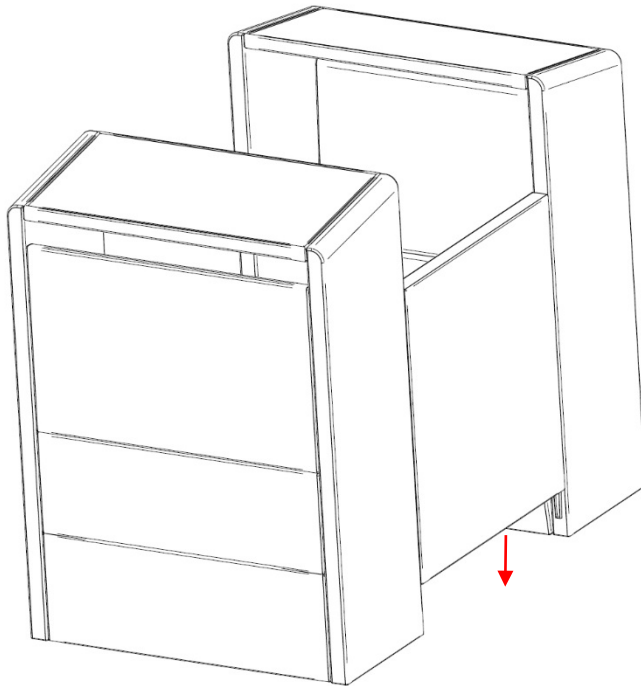


Note: Images shown are for clarity purposes only and may not match the items that you are assembling.

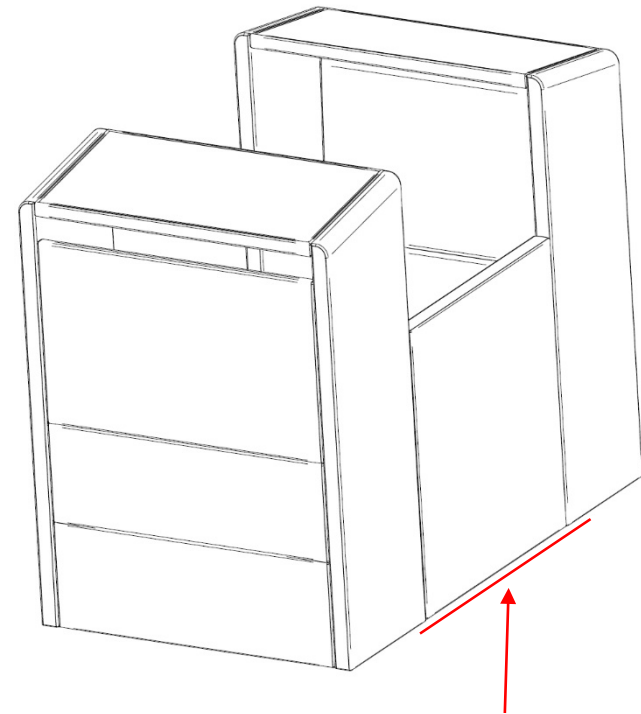


## Center Panel/Booth Assembly Instructions

- 3** Slide the Center Panel down until it engages the 4 brackets on the Pods and the Center Panel.



- 4** Press the Center Panel down until the bottom of the Center Panel and the bottom of the Pods is aligned.



Align on both ends of Center Panel

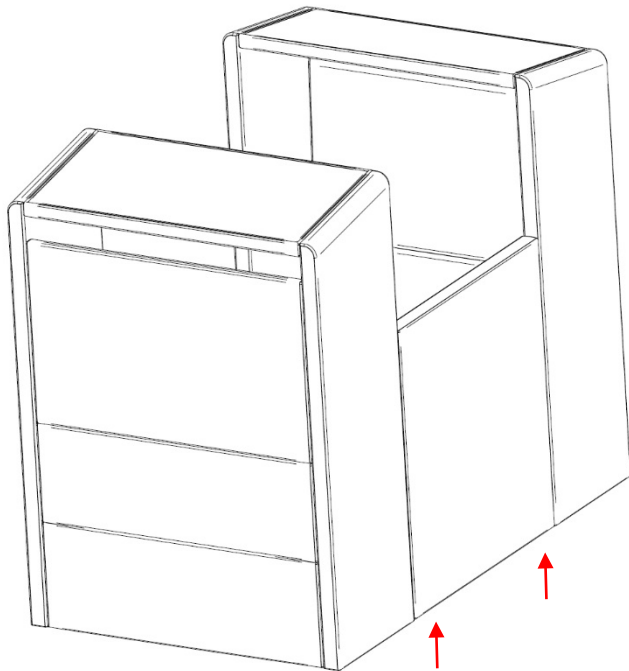
- 5** Center Panel is now attached.

Note: Images shown are for clarity purposes only and may not match the items that you are assembling.

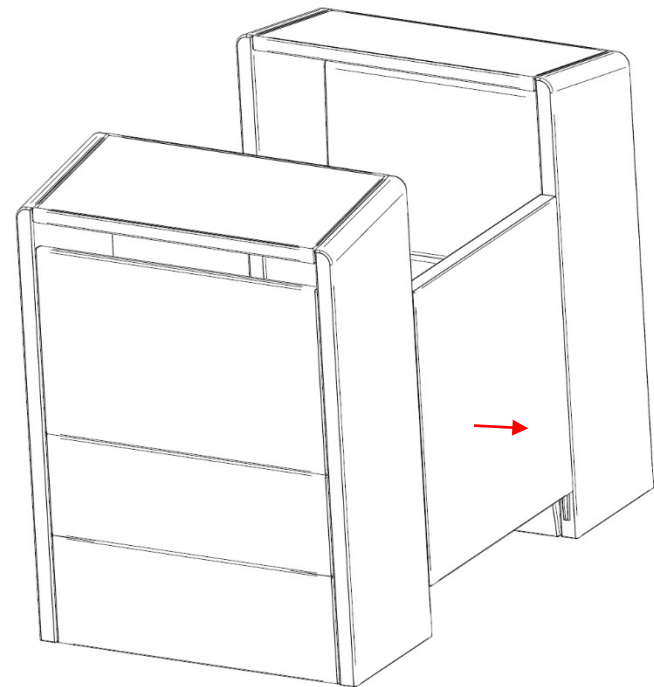


## Center Panel/Booth Disassembly Instructions

- 1** Lift up the Center Panel on both ends to remove.



- 2** Once Center Panel has been raised 6", move Center Panel away from seats.



- 3** Center Panel is now removed.