

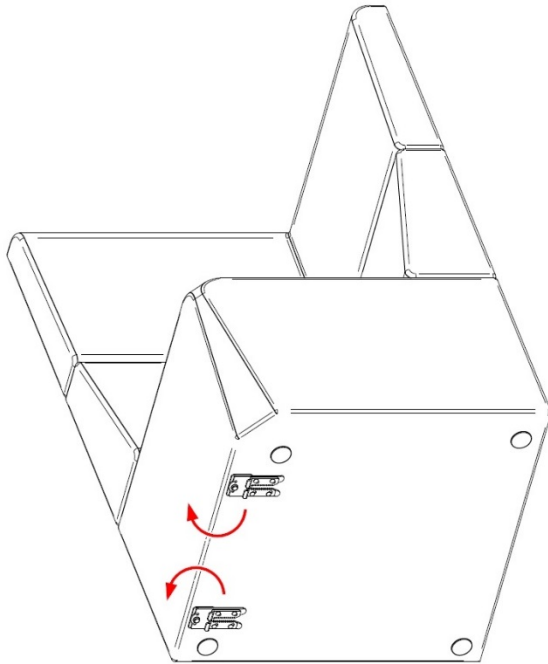
Fifteen Lounge | Indiana FURNITURE

General Ganging Assembly Instructions

Ganging:

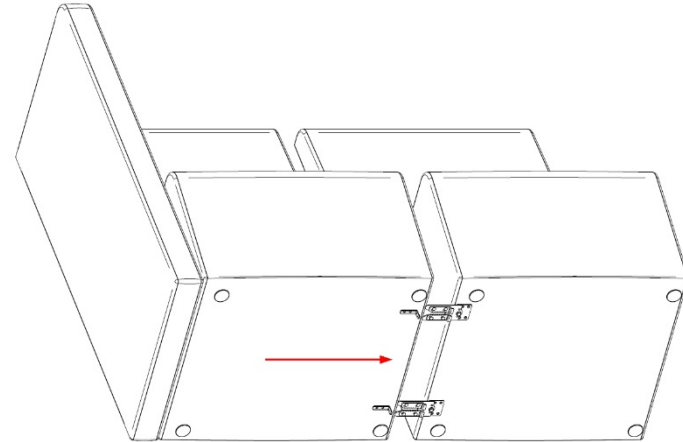
- 1 Starting with the right most seat in the seating layout.

Rotate out the 2-prong portion of the ganging bracket one at a time on the left side of the seat.



- 2 Set the second seat near the first seat so that the L-bracket on the second seat aligns with the center of the 2-prong portion on the first seat.

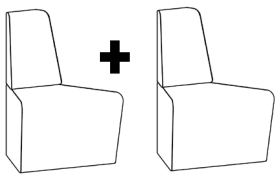
Note: You may have to feel under the second seat to find the L-bracket as it may not be visible.



Note: The brackets will click as the seats are pushed together. Push the seats together as tight as possible.

- 3 Repeat steps 1 & 2 for any additional seats.

Note: Images shown are for clarity purposes only and may not match the seating that you are currently ganging together.



For ganging 15-11ECR or
15-12ECR Models together

Fifteen Lounge | Indiana FURNITURE

External Corner to External Corner Ganging Assembly Instructions

Ganging External Corners:

- 1 Starting with the right most seat in the seating layout.

Rotate out the 2-prong portion of the ganging bracket one at a time on the left side of the seat.

Note: The prong portion of the bracket must be perpendicular to the side of the seat.

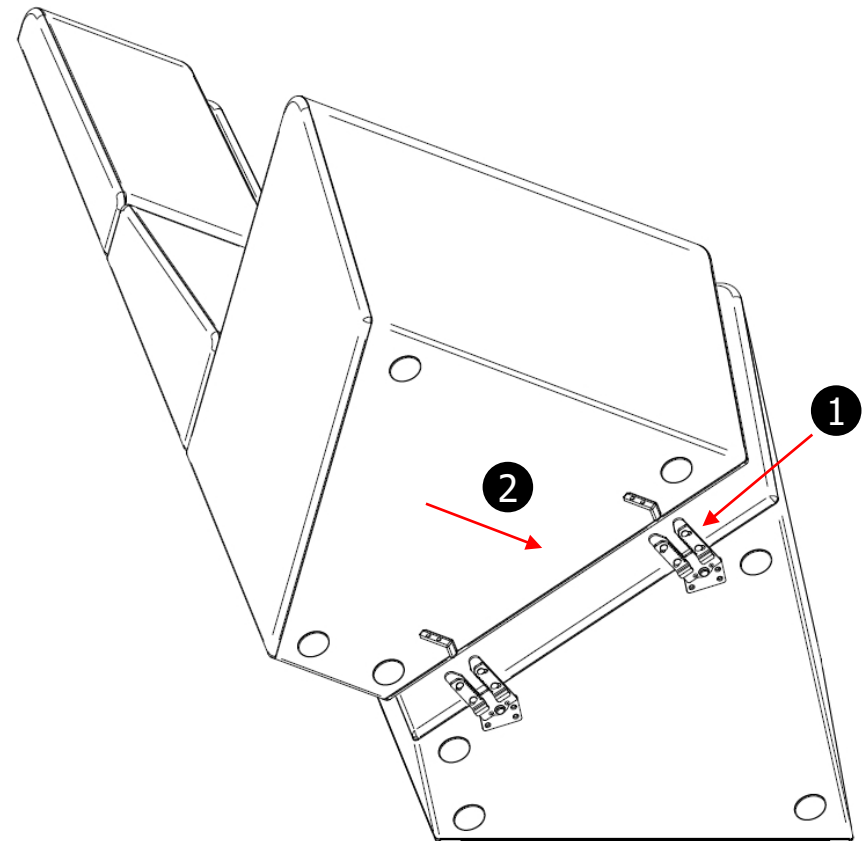
- 2 Set the second seat near the first seat so that the L-bracket on the second seat aligns with the center of the 2-prong portion on the first seat.

Note: You may have to feel under the second seat to find the L-bracket as it may not be visible.

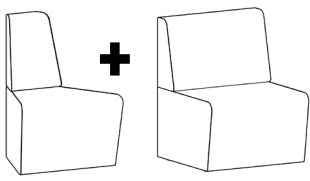
Note: The brackets will click as the seats are pushed together. Push the seats together as tight as possible.

Note: Once ganged, move the seat back or forth slightly to align the front edges.

- 3 Repeat steps 1 & 2 for any additional seats.



Note: Images shown are for clarity purposes only and may not match the seating that you are currently ganging together.



For ganging 15-11ECR or
15-12ECR to Straight Models

Fifteen Lounge | Indiana FURNITURE

External Corner to Straight Model Ganging Assembly Instructions

Ganging External Corners to Straight:

- 1 Starting with the right most seat in the seating layout.

Rotate out the 2-prong portion of the ganging bracket one at a time on the left side of the seat.

Note: The prong portion of the bracket must be perpendicular to the side of the seat.

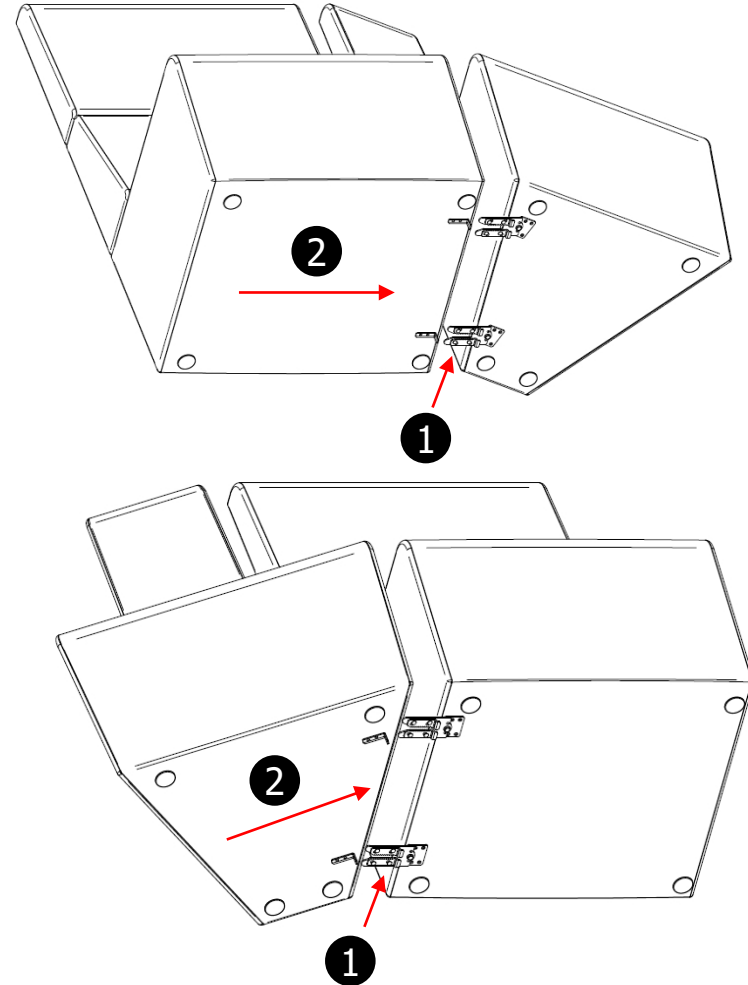
- 2 Set the second seat near the first seat so that the L-bracket on the second seat aligns with the center of the 2-prong portion on the first seat.

Note: You may have to feel under the second seat to find the L-bracket as it may not be visible.

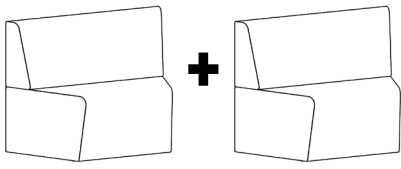
Note: The brackets will click as the seats are pushed together. Push the seats together as tight as possible.

Note: Once ganged, move the seat back or forth slightly to align the front edges.

- 3 Repeat steps 1 & 2 for any additional seats.



Note: Images shown are for clarity purposes only and may not match the seating that you are currently ganging together.



For ganging 15-11ICR or
15-12ICR Models together

Fifteen Lounge | Indiana FURNITURE

Internal Corner to Internal Corner Ganging Assembly Instructions

Ganging Internal Corners:

- 1 Starting with the right most seat in the seating layout.

Rotate out the 2-prong portion of the ganging bracket one at a time on the left side of the seat.

Note: The prong portion of the bracket must be perpendicular to the side of the seat.

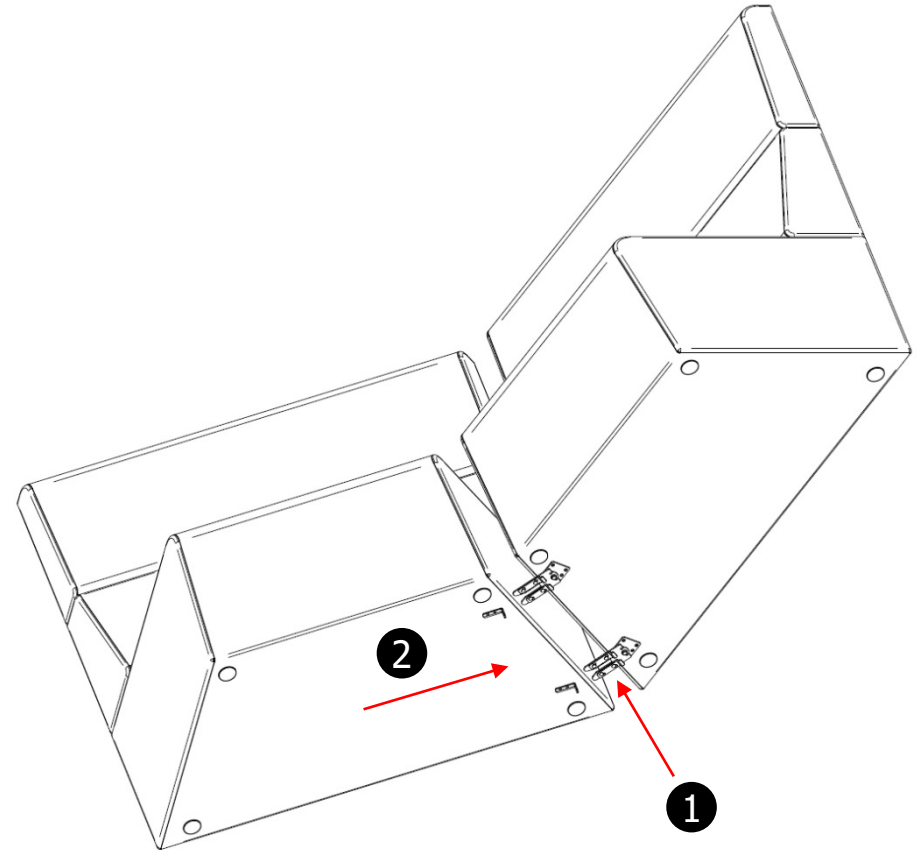
- 2 Set the second seat near the first seat so that the L-bracket on the second seat aligns with the center of the 2-prong portion on the first seat.

Note: You may have to feel under the second seat to find the L-bracket as it may not be visible.

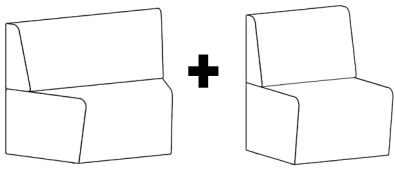
Note: The brackets will click as the seats are pushed together. Push the seats together as tight as possible.

Note: Once ganged, move the seat back or forth slightly to align the front edges.

- 3 Repeat steps 1 & 2 for any additional seats.



Note: Images shown are for clarity purposes only and may not match the seating that you are currently ganging together.



For ganging 15-11ICR or
15-12ICR to Straight Models

Fifteen Lounge | Indiana FURNITURE

Internal Corner to Straight Model Ganging Assembly Instructions

Ganging Internal Corners to Straight:

- 1 Starting with the right most seat in the seating layout.

Rotate out the 2 prong portion of the ganging bracket one at a time on the left side of the seat.

Note: The prong portion of the bracket must be perpendicular to the side of the seat.

- 2 Set the second seat near the first seat so that the L bracket on the second seat aligns with the center of the 2 prong portion on the first seat.

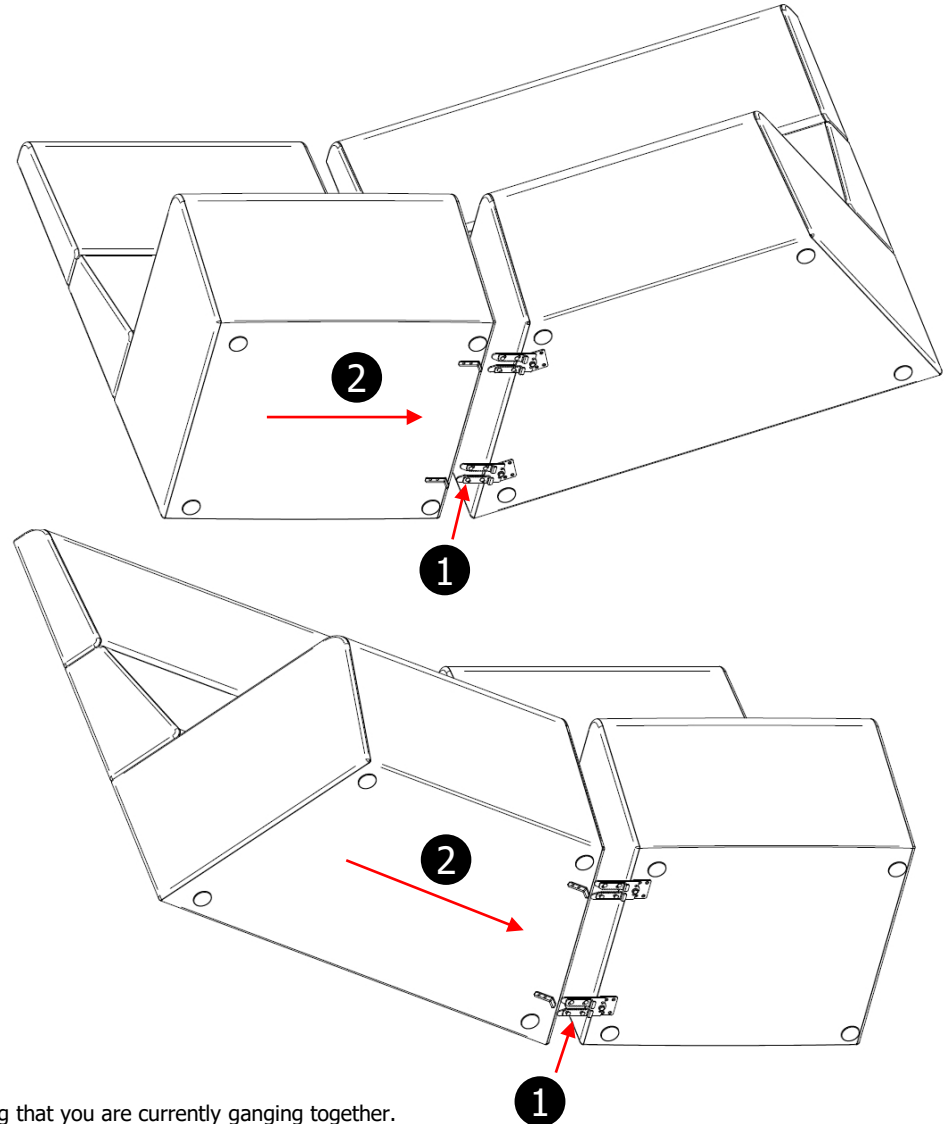
Note: You may have to feel under the second seat to find the L bracket as it may not be visible.

Note: The brackets will click as the seats are pushed together. Push the seats together as tight as possible.

Note: Once ganged, move the seat back or forth slightly to align the front edges.

- 3 Repeat steps 1 & 2 for any additional seats.

Note: Images shown are for clarity purposes only and may not match the seating that you are currently ganging together.



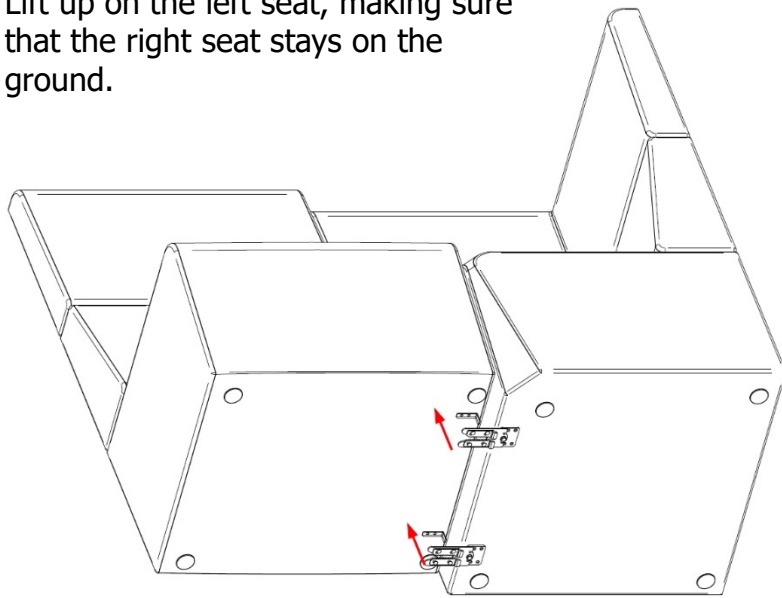
Fifteen Lounge | Indiana FURNITURE

Ganging Disassembly Instructions

Separating/Disassembly:

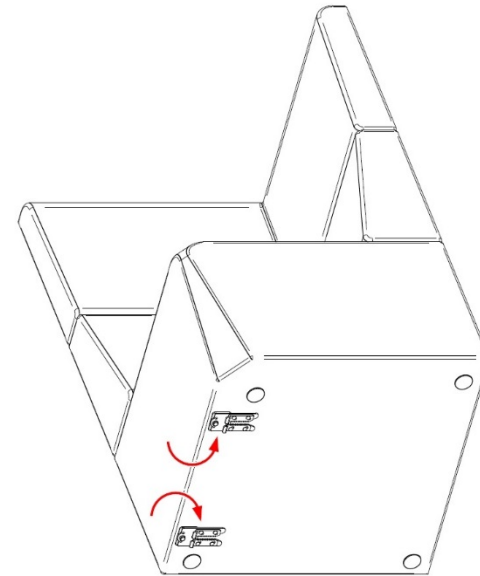
- 1 Starting with the left most seat in the seating layout.

Lift up on the left seat, making sure that the right seat stays on the ground.



Note: You will only need to lift the seat approx. 2" to remove the L bracket from the 2-prong portion of the ganging bracket.

- 2 Rotate the 2-prong portion of the bracket under the seat, one at a time.



- 3 Repeat steps 1 & 2 for any additional seats.

Note: Images shown are for clarity purposes only and may not match the seating that you are currently ganging together.